

ULPOWER AERO ENGINES N.V.

Kasteelstraat 37
B-8980 Geluveld
Belgium

SERVICE BULLETIN

Tel. +32 57 46 82 22
Fax +32 57 46 82 57
e-mail: info@ulpower.com

Service Bulletin No. 2013-03

SUBJECT: locking plate M4 bolt cylinder head

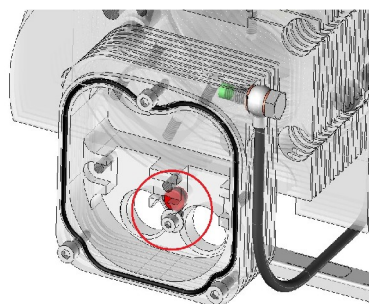
MODELS AFFECTED: all models

TIME OF COMPLIANCE: next maintenance

AFFECTED SERIAL NUMBER: All engines

Reason

To lock the oil return tubes and the small plug, a socket cap screw M4x6 with a standard washer is fixed in the cylinder head (see picture 1). However the screw is not locked. Because of vibration, the screw can become loose and even completely screwed out of the M4 hole.



Picture 1

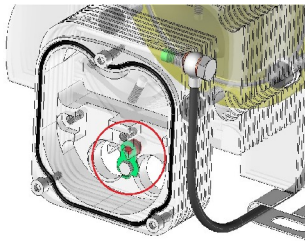


| SB 2013-03 | | | | | | | |
|------------|-----|------|---------|-----|------|--------|----------|
| Issued | | | Revised | | | Page | Revision |
| Mo | Day | Year | Mo | Day | Year | 1 of 2 | |
| 11 | 29 | 2013 | | | | | |

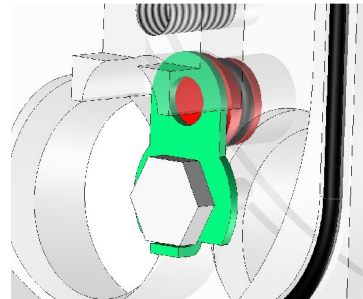
Solution

The standard washer is replaced by a special locking plate (Part No. E012503) and the socket cap screw by a M4 hex head screw (Part No. F1004006).

After tightening the M4 bolt, bend the 'lip' from the locking plate to lock the bolt (picture 2)

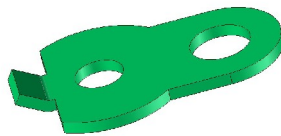


Picture 2



Picture 2

For easy assembling, bend the lip $\pm 10^\circ$ before you put it on place (picture 3)



Picture 3

Action

Replace in each cylinder head the standard washer and M4 cap screw by the special locking plate and M4 hex screw.

Part No. E012503 1 pc/cylinder head

Part No. F1004006 1 pc/cylinder head

Safety

Observe all warnings and cautions contained in the airplane manuals.