

ULPOWER AERO ENGINES N.V.

Zonnebeekseweg 379
B-8900 Ieper
Belgium

SERVICE BULLETIN

Tel. +32 57 46 61 20
Fax +32 57 44 52 21
e-mail: info@ulpower.com

Service Bulletin No. 2016-02

WARNING

SUBJECT: Bolts valve cover plate + bolts inlet manifold

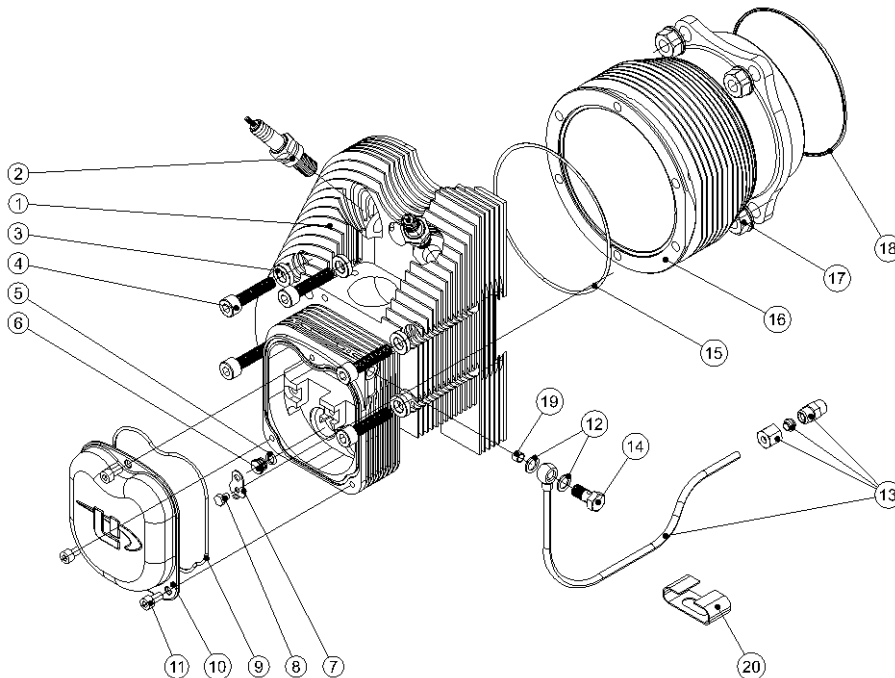
MODELS AFFECTED: All models

TIME OF COMPLIANCE: before next flight

AFFECTED SERIAL NUMBER: all engines

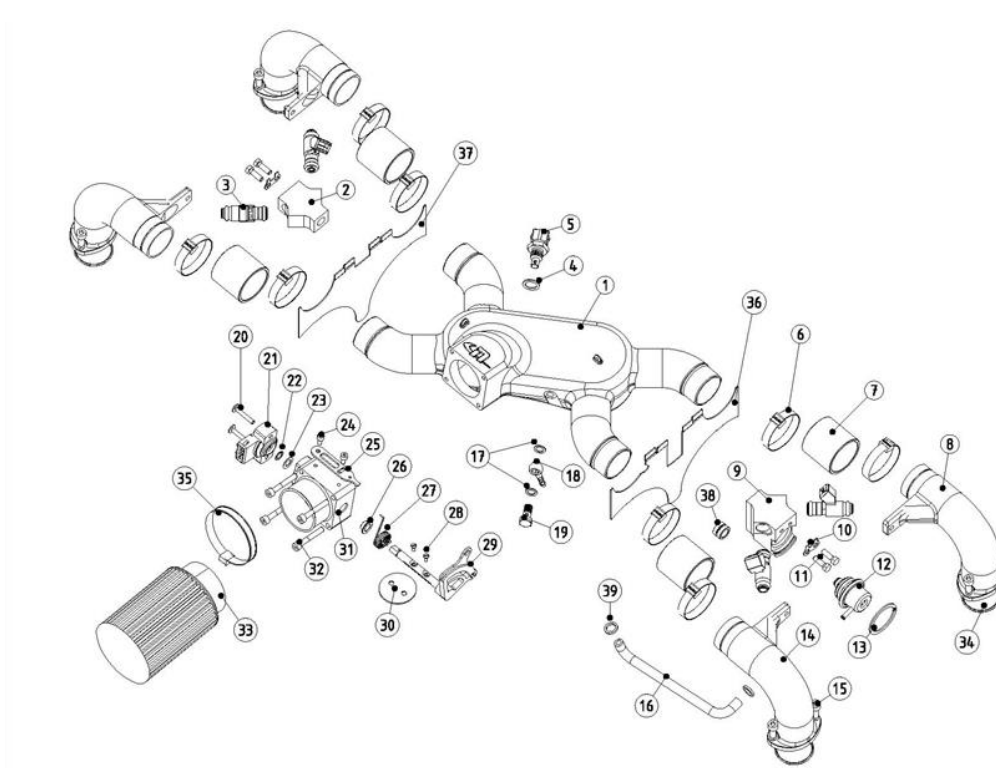
One operator mentioned his valve cover bolts (item 11) loosened. This may have been caused by vibrations.

Therefore we advise you to check them regularly and tighten them at 6 nm.



SB 2016-02								
Issued			Revised			Page	Revision	
Mo	Day	Year	Mo	Day	Year	1 of 2	0	
08	25	2016						

Same thing might happen with the bolts from the intake manifold (item 15).
To avoid problems, apply Red Loctite 266.



SB 2016-02							
Issued			Revised			Page	Revision
Mo	Day	Year	Mo	Day	Year	2 of 2	0
08	25	2016					