

# ULPOWER AERO ENGINES N.V.

Zonnebeekseweg 379  
B-8900 Ieper  
Belgium

## SERVICE BULLETIN

Tel. +32 57 46 61 20  
Fax +32 57 44 52 21  
e-mail: info@ulpower.com

Service Bulletin No. 2017-01

### MANDATORY

SUBJECT: installation guideline for oil coolers

MODELS AFFECTED: All models

TIME OF COMPLIANCE: before next flight

AFFECTED SERIAL NUMBER: all installations with ULP oil coolers

Recently our supplier changed the installation guidelines for the oil coolers with ULPower part numbers E0426107 – E0426110 – E0426113 – SE0426205 – SE0426116.

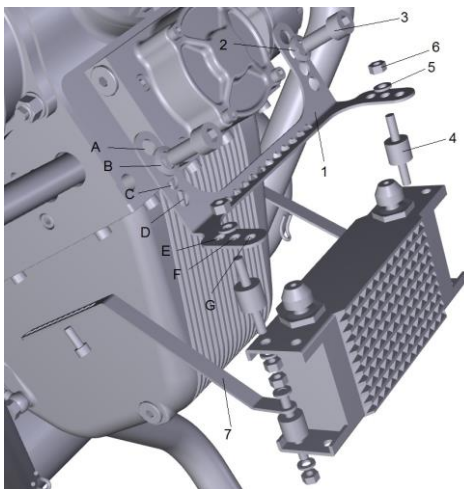
Consequently, we changed the guidelines in our installation manuals.

Please install 4 shock absorbers as shown on the drawing below. (part n° 4).

Even if you have installed our oil coolers in another way, make sure to insert shock absorbers.

Article number: F2662015 X4 3.5 EUR /pc

If you prefer to buy them at a local store, look for a shock absorber of 15mm with M6



SB 2017-1							
Issued			Revised			Page	Revision
Mo	Day	Year	Mo	Day	Year	1 of 1	0
13	01	2017					