

ULPOWER AERO ENGINES N.V.

Zonnebeekseweg 379
B-8900 Ieper
Belgium

SERVICE BULLETIN

Tel. +32 57 46 61 20
Fax +32 57 44 52 21
e-mail: info@ulpower.com

Service Bulletin No. 2019-01

UPDATE ON SERVICE BULLETIN 2016-02

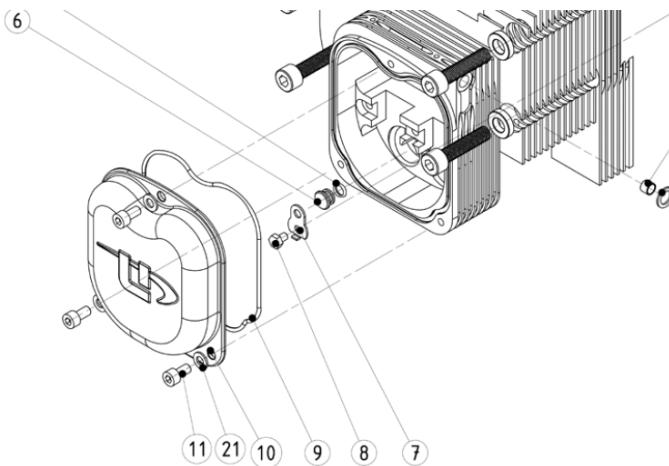
SUBJECT: Bolts/washers securing the valve cover/rocker cover

MODELS AFFECTED: All models

TIME OF COMPLIANCE: next maintenance

AFFECTED SERIAL NUMBER: all engines with serial number below 163001

In service bulletin 2016-02, in response to isolated field reports of valve cover bolts loosening, we asked you to check these bolts (item 11) on a regular basis and to ensure that they are torqued to 6Nm.



Since September 2016, M5 Nordlock washers (item 21 – F2110050) have been installed between the valve covers and the valve cover bolts on all new and overhauled engines leaving factory. Since the introduction of the Nordlock washer in this location, there have been no field notifications in relation to these bolts loosening. Therefore, we now recommend the installation of M5 Nordlock washers as a secure and practical method of ensuring bolts in this location.

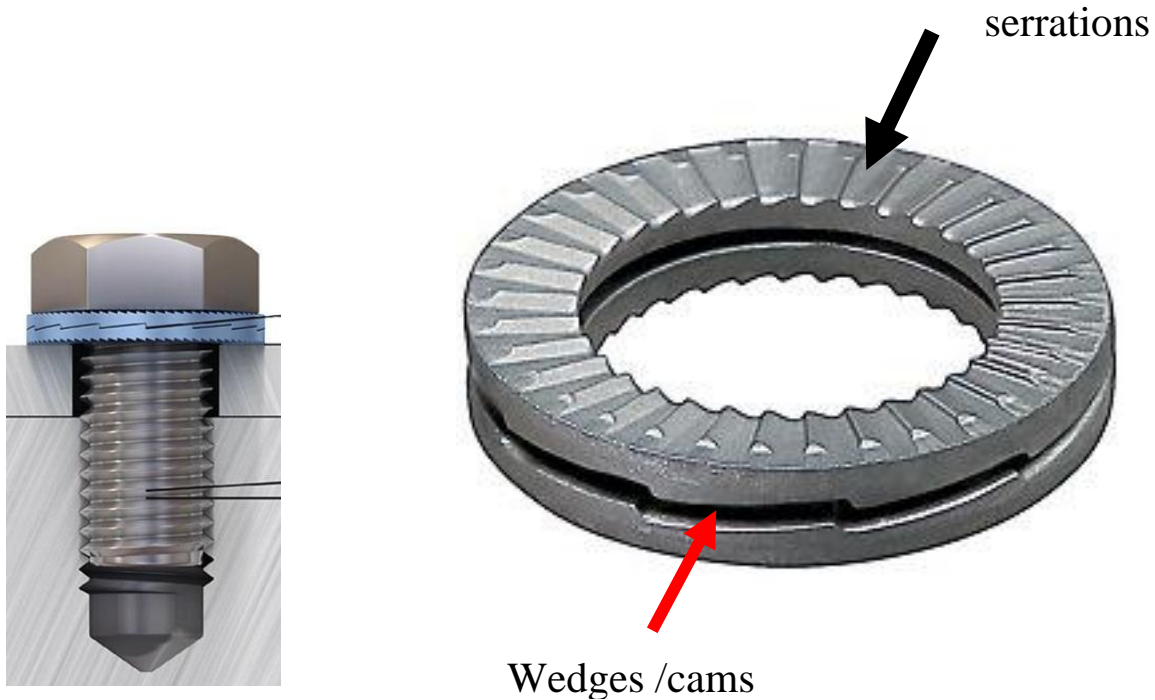
The specific characteristics of Nordlock washers will prevent bolts from in-service loosening through vibration, if installed the correct way and to the correct torque, removing the need for additional inspection of these bolts.



SB 2016-02							
Issued			Revised			Page	Revision
Mo	Day	Year	Mo	Day	Year	1 of 2	0
08	25	2016	01	25	2019		

How to (re) use Nordlock washers?

A Nordlock washer (NLW) is composed of two halves, which must be installed together, in the correct orientation. Each washer has serrations on the outside and wedges/cams on the inside. When using the new NLW you will notice that they are held together with a small amount of flexible glue .



Insert NLW (item 21) between the valve cover (item 10) and the bolt (item 11).

Always use a torque wrench to tighten the bolt to the correct torque value as specified in the illustrated parts catalogue. (6 Nm in this case). We advise taking all three bolts to contact before torquing them.

Note: After first use, the pre-assembling glue is no longer effective, and the two halves may come apart. We advise you to keep the washers in correctly orientated pairs after removing them.

Before reinstallation you must confirm that the cams and serrations on the washer are not worn or damaged.

Only re-use NLW washers which are in good condition.

Always ensure that the NLW is assembled with the washer cam face to cam face, as shown above.