

Interactive Installation Manual

M0260-NC Beta version 1.9

[Click an engine or scroll to next page to continue](#)

Welcome to the ULPower Interactive Installation Manual Beta 1.9

Thank you for choosing ULPower Aero engines to power your aircraft. This manual will provide you with basic information on correct engine installation which is a requirement for safe engine operation / safe flights. We recommend to study this manual carefully.

This manual is an interactive support document, best viewed in Adobe Acrobat reader, with links and references to outside sources. Much as it can be used 'off-line', read like an on-line book or printed and bound as a manual, some of the links will not work without an active internet connection (your network connection charges may apply for external linking).

You may simply 'scroll' through the manual. If you are using this manual on a mobile phone or tablet you may need to download the Adobe Acrobat Reader to enable the links. Using the links will make use easier. Each page has a reference on the top right of the page, making reference when speaking to another manual user easier

You may also always return to the 'Contents Page' by clicking on the ULPower logo on the top right of each page.

Please verify that you use the latest manuals available from ULPower - <http://ulpower.com>

Regards

The ULPower Team (email info@ulpower.com)



How to get the most out of this manual

Each section has up to three levels... **Quick guide**, **Detailed guide** and **Technical guide** – with a corresponding icon (see right). The quick-guide pages are aimed at the experienced ULPower installation technician who is looking for a memory jogger. However, we recommend reading through to the more detailed guide contents for all installations. Where applicable there are links to ULPower.news, the ULPower YouTube channel and various other outside resources, for those interested in finding out even more. These links and the external content may be updated and extended at any time.



Quick
Guide

Reading the full installation manual and using the wide range of other resources available from ULPower, increases your knowledge and should help you both enjoy and succeed in your ULPower Aero Engine installation.



Detailed
Guide

This manual is provided to assist/inform and does not replace reference to experienced engineers nor compliance with local or OEM requirements. We advise full compliance with industry good practice and as a default compliance with standard documents such as the FAA Maintenance Technician Handbook ([FAA-H-8083-30](#)), Aircraft Wiring and Bonding ([AC 21-99](#)) and Acceptable Methods, Techniques and Practices – Aircraft inspection and Repair ([AC 43.13](#)). Enjoy your ULPower installation.



Technical
Guide

Wherever you see the ULPower.news button, you may click on it to open a browser window and access more details/guidance via the ULPower.news website.

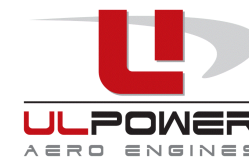
An active internet connection and data service will be required.

READ MORE @  **ULPOWER NEWS**

 **Tube**
Our Video Channel



This interactive installation guide covers both our 4- and 6-cylinder range of engines. Where applicable use only the section related to YOUR engine. If in doubt, consult your nearest ULPower Dealer.



Safety information

- The engine should only be installed and placed into operation by persons familiar with the use of the engine and informed with regard to possible hazards.
- This non-certified engine is designed for possible application on aircraft used in VFR conditions which have the capabilities of controlled gliding without engine power.
- It should be clear that the choice, selection and use of this particular engine on any aircraft is at the sole discretion and responsibility of the aircraft manufacturer, assembler and owner/user. ULPower makes no warranty or representation on the suitability of its engine's use on any particular aircraft. Furthermore, ULPower makes no warranty or representation of this engine's suitability with any other part, component or system which may be selected by the aircraft manufacturer, assembler or user for aircraft application.
- Use the appropriate tooling when installing the engine.
- Engine is delivered in "dry" condition (without oil). Before putting engine in operation it must be filled with oil according to specifications in the operating handbook.
- Never (test)run the engine without a propeller or flywheel as this will inevitably cause engine damage and present a hazard of explosion.
- The propeller/flywheel and their attachment with a moment of inertia in excess of the specified value must not be used and releases ULPower from any liability.
- Improper engine installation and use of unsuitable piping for fuel-, cooling- and lubrication system releases ULPower from any liability.
- Unauthorized modifications of engine or aircraft will automatically exclude any liability of the manufacturer for sequential damage.
- Do not use a protective device (e.g. a fuse) essential for the engine, to protect any other circuit
- Do not install unnecessary protective devices for the alternator and the regulator rectifier
- Install protective caps to protect switches essential to flight safety such as ECU switch, master switch, ...
- Make sure the installation cannot suffer from icing. Fuel injected engines can suffer from icing too, even when much less probable.



Before we start...

Your new engine has been bench run before being preserved at ULPower, thus warranting proper protection against corrosion for at least 12 months from date of delivery from ULPower.

This warranty is subject to the following conditions:

- the engine must be stored in the original packaging as supplied by ULPower.
- the coverings on various openings must not be removed.
- the engine must be stored in a suitable dry and condensation free place, between 5 and 60°C (41-140°F).

If the engine is stored for longer than 12 months, the following tasks have to be performed every three months:

- crank the engine by hand two complete turns
- inspect for corrosion (e.g. prop shaft). At detection of corrosion, contact your local ULPower dealer or service point.
- repack engine into original packaging and seal properly.

ULPower offer a factory revision service for stored engines which are outside warranty.

Such engines are then released with a fresh ONE year warranty.

This manual only applies to the newer 'red' ECU and the latest engine versions. If you have a 'black' ECU or an older engine version, please contact ULPower



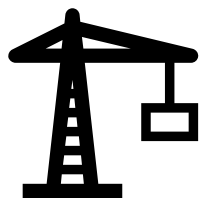
Once uncrated we recommend entry to service as soon as possible and in the meantime ensure that the engine is kept clean and dry with openings covered i.a.w. good engineering practices.

Contents / Quick Links

You can work through the pages of this manual sequentially, or use this page to select section by section to suit your installation needs.



Unboxing



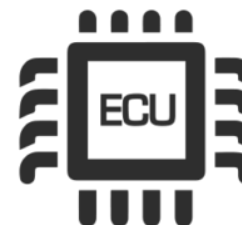
Hanging the engine



Exhaust/
Muffler



Electrical
System



ECU &
Cockpit wiring



AUXBOX



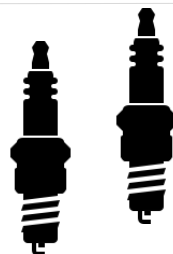
Wiring
diagrams



Rectifier/
Regulator



Grounding and
Starter



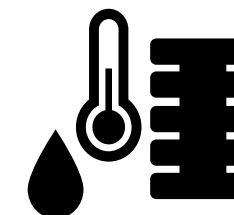
Ignition
System



Battery &
Capacitor



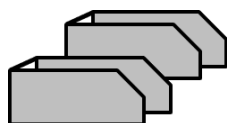
Fuel System/
Fuel Pumps



Oil Thermostat
& Cooler



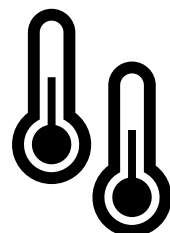
Oil / Air
Separator



Ram airbox,
air filter



Throttle
(adjustment)



Data output and
additional sensors



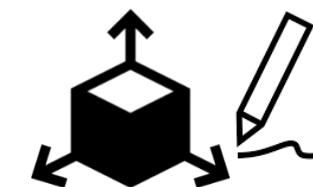
Propellers



Preparing for
First Flight



Fluids, Limits,
ranges, etc.



Dimensions &
Diagrams



Unboxing

1. Release the metal tabs on the top of the box.
2. Gently tap to lift the top lid only.
3. Remove accessories and put to one side.
4. Using an engine hoist, fit a suitable lifting strap between the yellow lifting hook and the prop shaft.
5. Take up the load, without lifting the engine/box
6. Release the securing wood beams by removing the retaining screws on the side of the box.
7. Raise the engine out of the box, avoiding knocking any parts of the engine.
8. Remove the steel shipping plate.

READ MORE @  **ULPOWER NEWS**

HANDLING TECHNIQUES: It is important to consider safety at all times during engine handling and installation. Ensure that your engine hoist is suitable for the task (both in lift capacity and lift height) as well as that your lifting strap is suitable for the weight to be lifted, and is in good condition. At all times keep your fingers and body clear of crush points during the installation process.





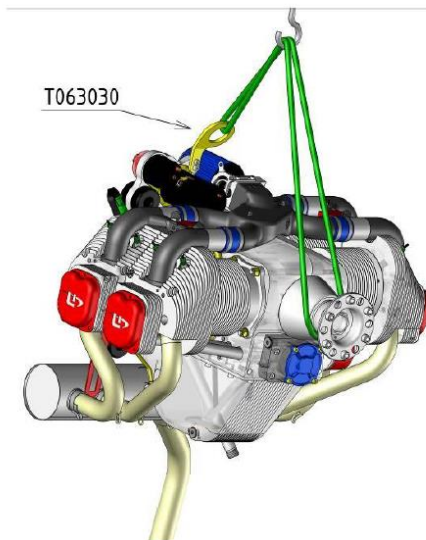
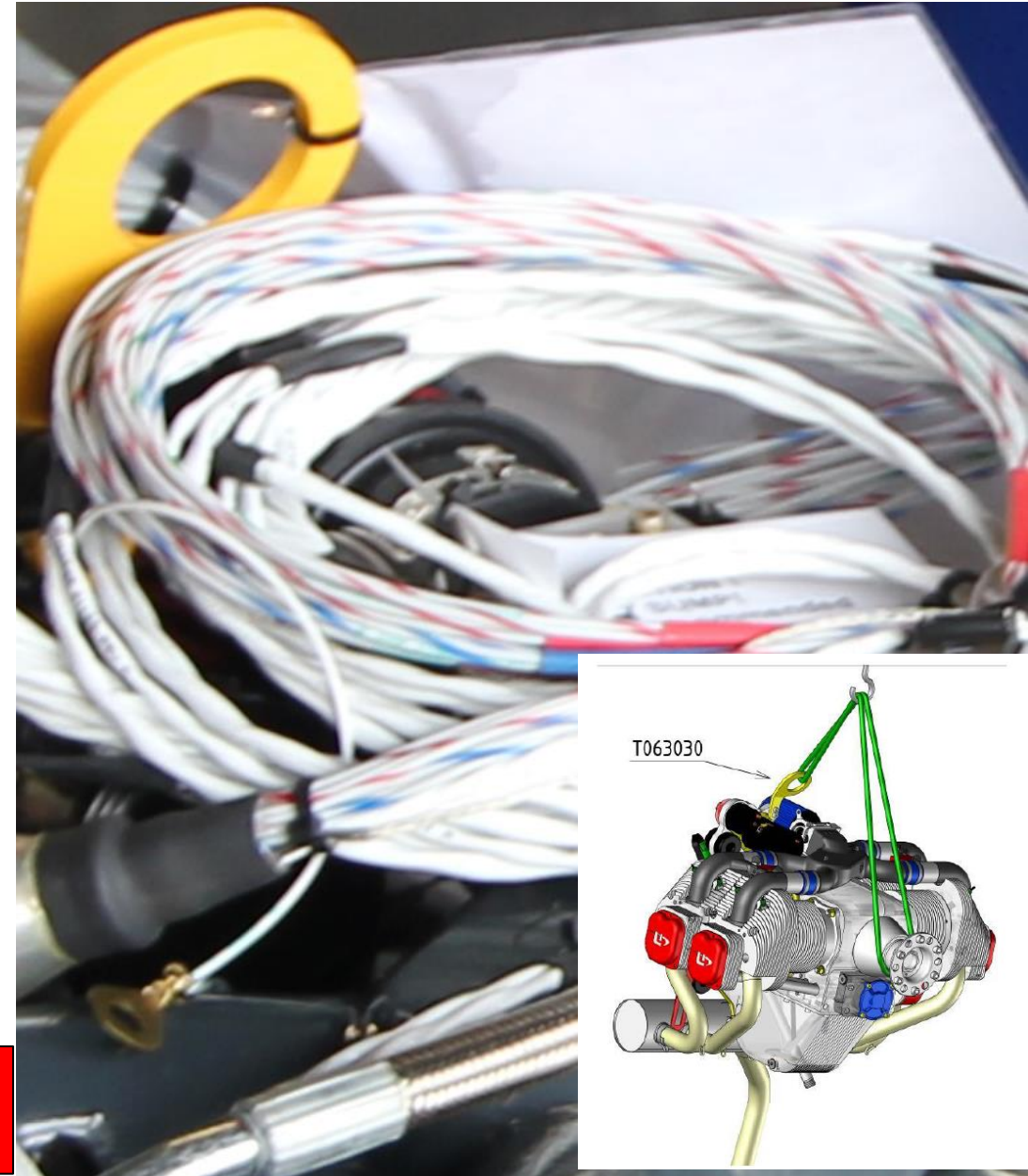
Unboxing

To open the tabs on the box it is best to use a medium sized flat head screwdriver and, if necessary, pliers and a soft mallet. Lift the tabs to make sure that the lid of the box can be removed easily. Keep the box lid closeby. You may use masking tape to cover the sticking up tabs to reduce the risks of scratching yourself or items. Caution is advised.

Unpack the items around the engine and carefully place them aside. Depending on your order, you may have a variety of parts in boxes/bags and also coils of hoses.

Once you have only the engine left in the box, you are ready to remove the engine (and to hang it on your airframe). The engine must first be secured using the pre-installed yellow lifting hook and prop shaft, using a suitably rated lifting strap and engine hoist.

If there are wires attached to the lifting hook, carefully remove the tie wraps and ensure that your lifting strap can enter the hook without fouling any wires.



DO NOT undo from the bottom tabs because the engine is attached via the sides of the box.





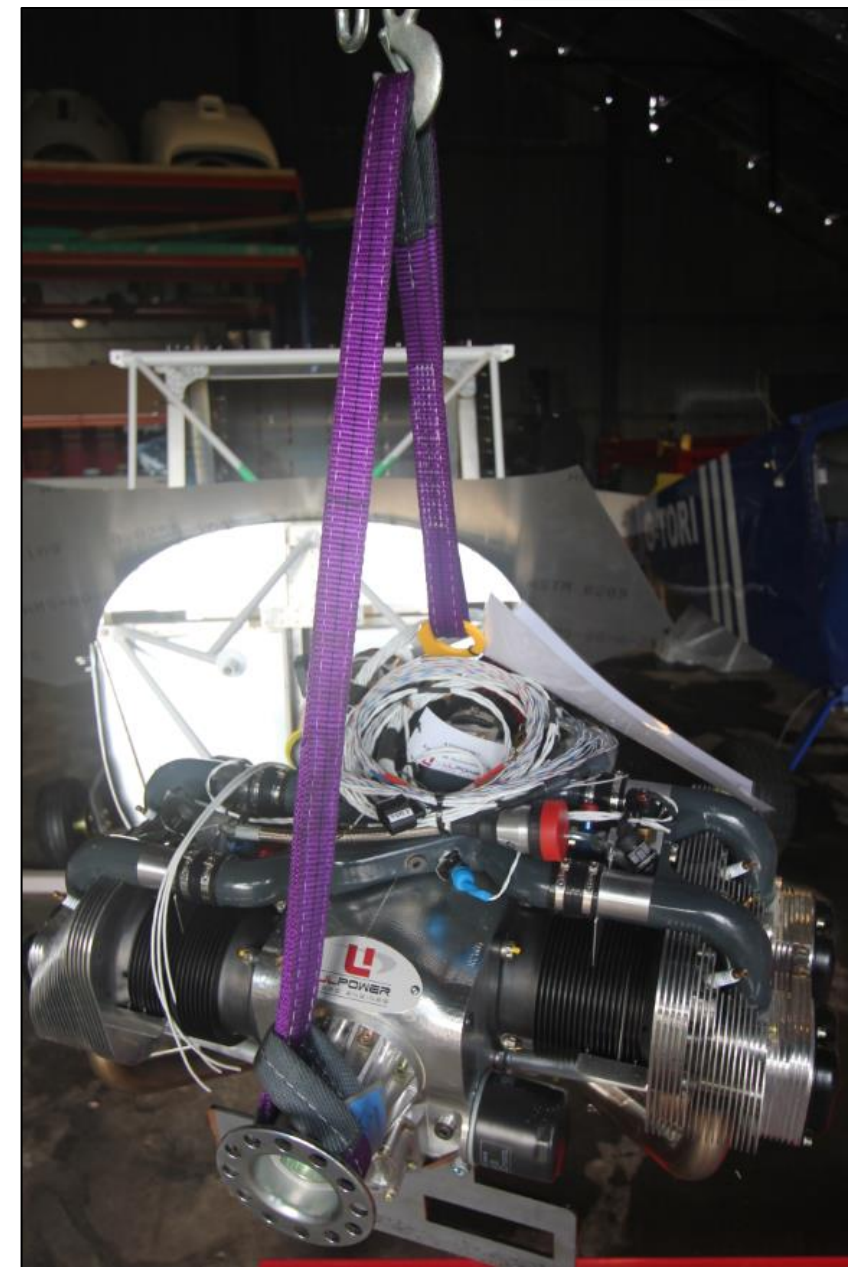
Unboxing

Once secured and the weight of the engine 'just taken up' by the engine hoist (all safety protocols respected) you can remove the screws holding the wooden engine securing blocks in place.

The screws are fitted from the outside of the box into securing wood sections (these may vary depending on the engine). Once removed the box will drop away and you can hoist the engine to the required height to install.

You may need to adjust the position of the lifting strap. To support the weight of the engine, you may manoeuvre the engine by supporting the cylinder heads, just behind the rocker covers – BUT make sure you do not damage the oil lines installed to the lower part of the head, or any other parts of the engine.

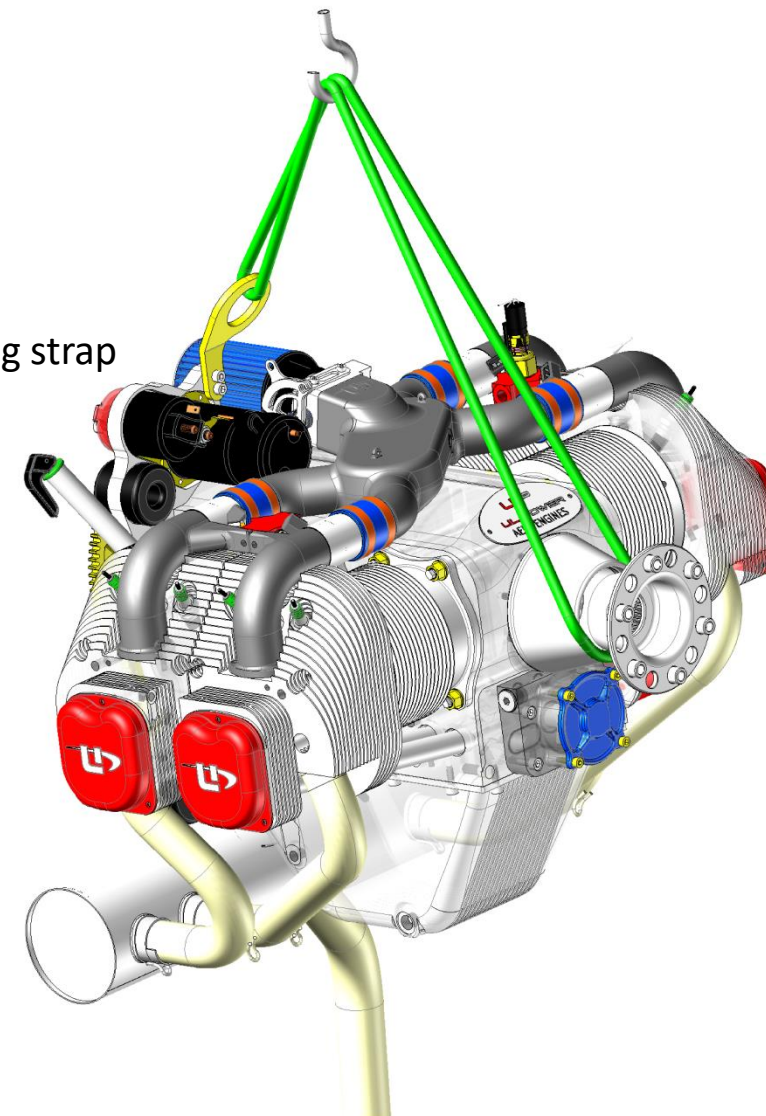
You will also need to remove the steel shipping plate at the front of the engine, by simply removing the two bolts holding it in place with an appropriate Allen key. This may be done after the engine is securely bolted to the airframe.





Hanging the engine

1. Offer up the engine to the airframe
2. Ensure that the rubber anti-vibration mounts and aluminium washers are fitted securely
3. Insert the mounting bolt
4. Fit washer and lock nut (DO NOT USE NYLOCKS IN THE HOT ZONE)
5. Torque the nut (25Nm)
6. Gently release the engine hoist, ensuring that the engine is secure before removing the lifting strap
7. Remove the yellow lifting ring and store securely





Hanging the engine



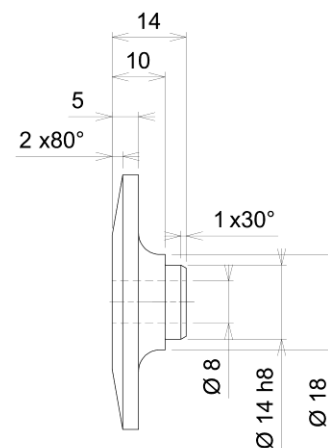
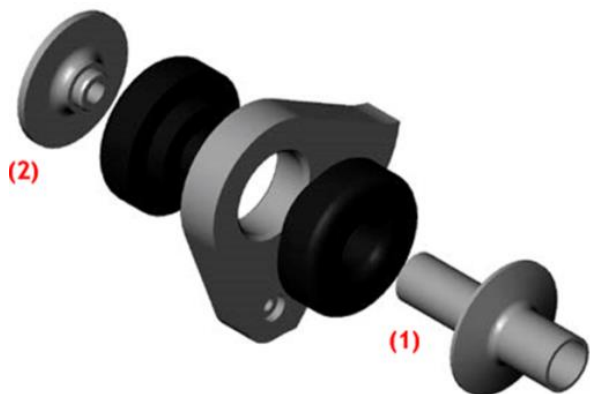
Engine Mounts and mounting pins:

Always use a suitable engine mount either from your aircraft supplier or an experienced engine mount manufacturer. ULPower also offers a design, construction and test service with industry standard report on strength attached. Several FWF kits and adaptor mounts are already available, contact your ULPower dealer for more details.

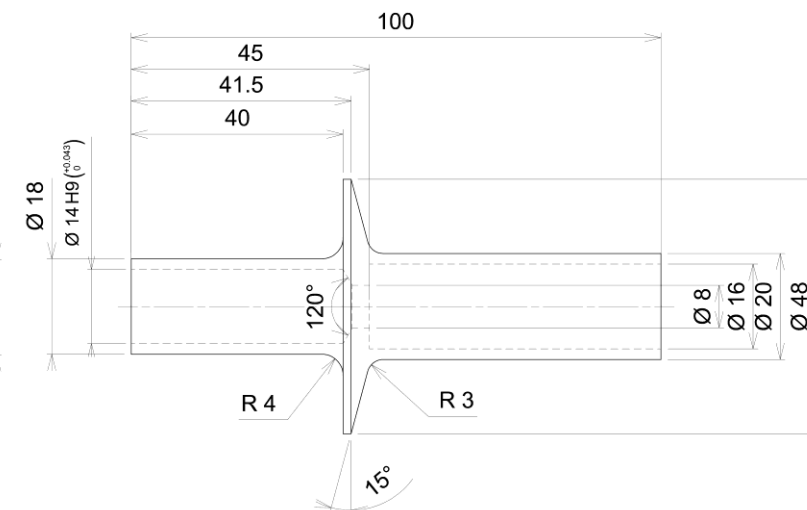
Engine mount bolts, lock nuts, rubbers and washers come as standard with your new ULPower engine. Engine mounts pins (E013504) are available as spare parts (**bolt M8x70: ULP Part n° F0208070 / Lock nut: ULP Part n° F5103080 INCLUDED SINCE SEPT 2019**)

We suggest the steel Engine Mount Pin (1) and aluminium Engine mount Washer (2) to be dimensioned as below.

Engine mount pins should be tightened together with the M8x70 cap screw (8.8 Steel/Din 912) and lock nut between two flanges with the correct distance and torque (45mm / 25Nm).



Washer



Engine mount pin

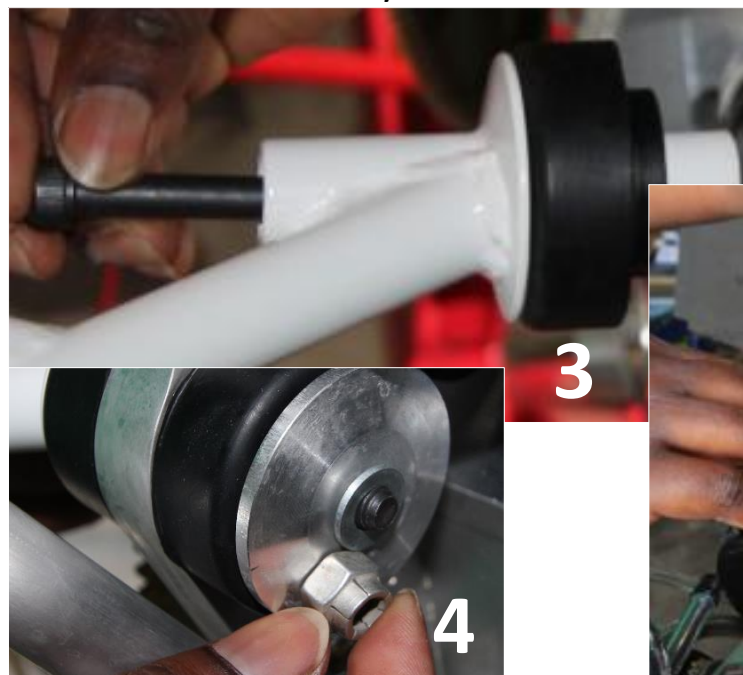
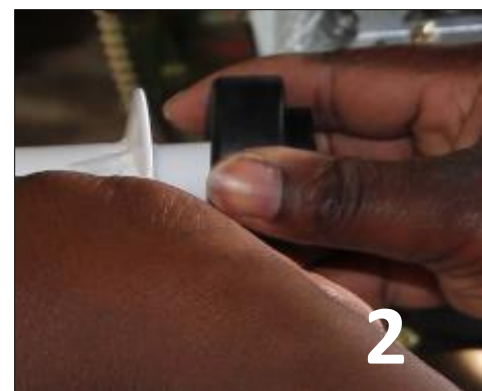


Hanging the engine

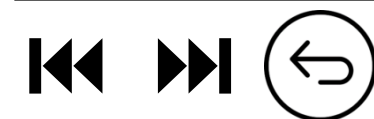
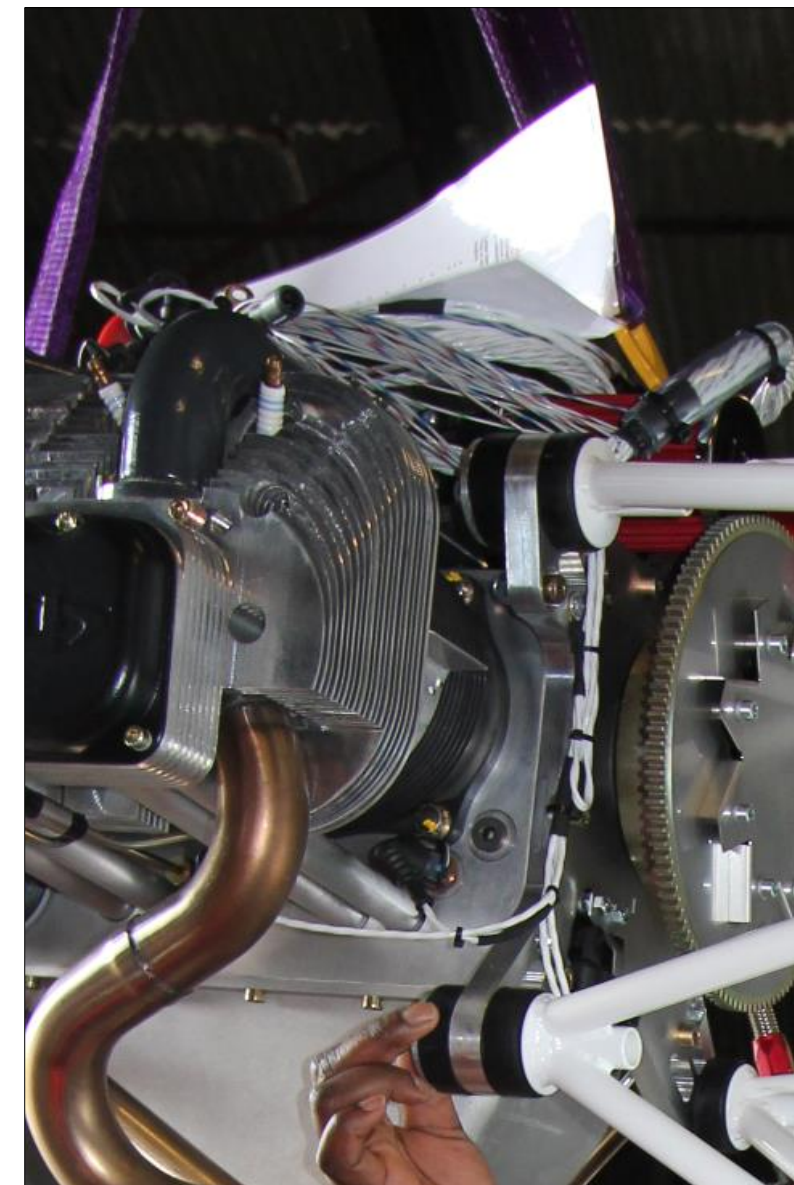
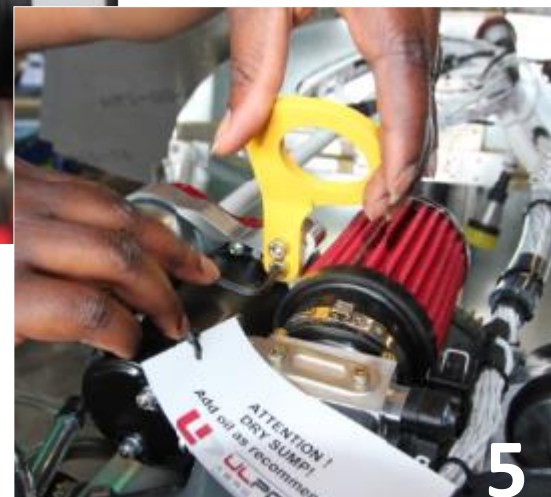


Before mounting the engine to the airframe, apply some silicone lubricant to the engine mount (1), this will allow the rubber vibration mounts to slide on easily (2). Insert suitable engine bolts and nuts (either those provided by ULPower or your airframe supplier) (3/4). Torque to 25Nm.

Once the engine is securely mounted, gently lower the engine hoist, checking for any issues, and if all is as it should be, remove the lifting strap and the yellow lifting hook (5) (keep the hook and its bolts safe in case you need to remove the engine in the future).



Do not work underneath the engine at any time until secured.

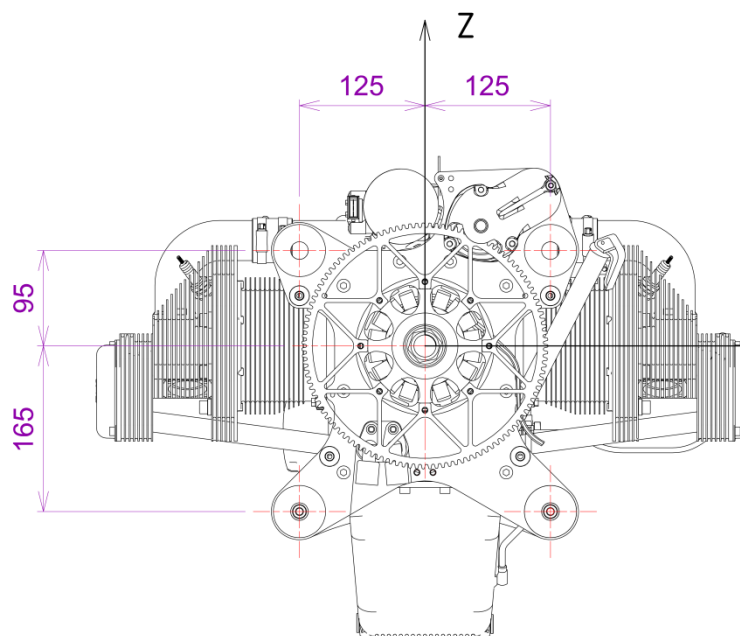


Optional mounting points

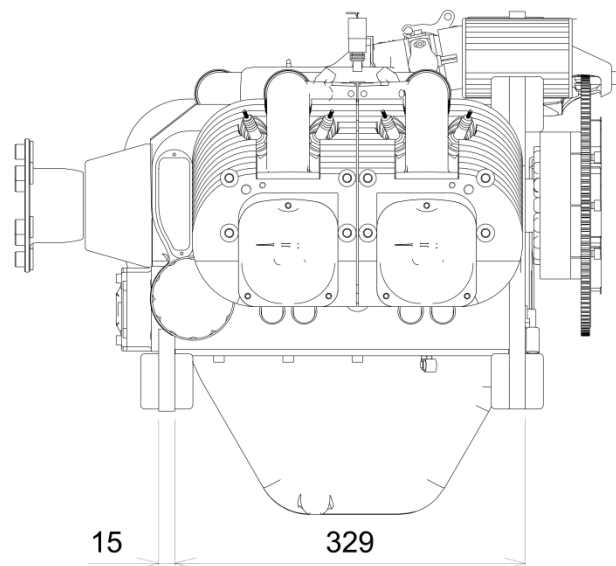
Most installations occur using the four rear mount points, however, it is possible to order a front engine mounting plate as shown here to suit specific installations.

[For more information consult our technical documentation and/or contact your local ULPower dealer.](#)

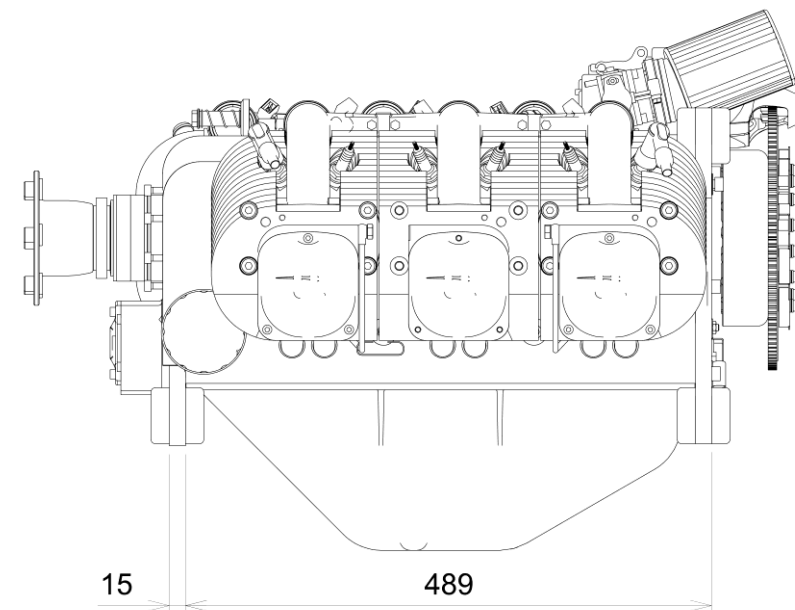
All engines



260/350 series



390/520 series

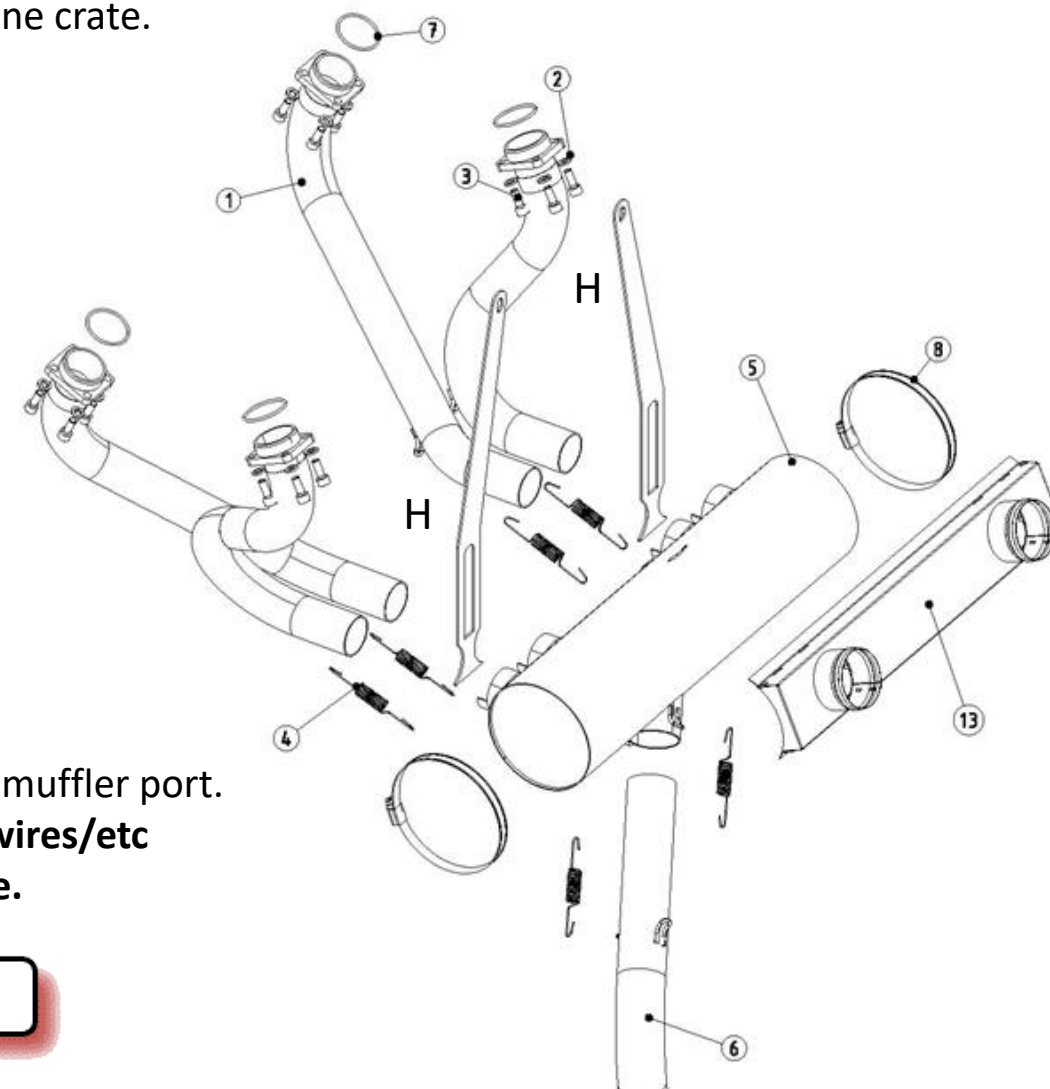


Exhaust/Muffler



The standard exhaust system will need its copper gaskets changed as part of your installation and the tail pipe set to match the muffler/airframe. New gaskets, tail pipe, springs and 'tabs' are included in your engine crate.

1. Remove exhaust tubes (1)
2. Remove (copper) gaskets (7)
3. Fit new (stainless steel) gaskets (7)
4. Refit exhaust tubes (1)
5. Carefully thread in manifold screws (3) **DO NOT FULLY TIGHTEN YET**
6. Fit exhaust muffler hanging brackets (H) and clamps (8)
7. Fit muffler (5) with springs (4)
8. Torque (**NOW**) screws (3) at exhaust manifold (10Nm)
9. Arrange and fit tail pipe (6) and set orientation
10. Mark for weld point for tail pipe to muffler and any 'hang points'
11. Remove tail pipe
12. Weld spring tabs
13. Insert tail pipe (6) to muffler (5) and fit springs (4)
14. Ensure tail pipes over 200mm long have a suspension point to avoid stresses at muffler port.
15. **Install heat-shields as appropriate to protect engine mount rubbers/sensors/wires/etc from excessive radiant heat from the muffler/tubes/pipe as may be applicable.**





Fitting the Exhaust



When the engine was tested at factory the exhaust gaskets, that are installed on delivery, between the cylinder heads and the tubes, were deformed to suit the test rig and have to be replaced (spares are in the box) to suit the installed muffler on your aircraft.

Procedure for the standard exhaust :

1. Unscrew the four M6 manifold screws with an Allen key make sure to keep the NORDLOCK washer arranged correctly.
2. Using a small flat screwdriver CAREFULLY, without scratching the cylinder head, pop out the old copper gasket and discard.
3. Replace the gasket by a new one (either with grease and pushed into the seat on the head or grease/balance on the tube)
4. Refit the exhaust tube, make sure the Nordlock washers are on the screws, but **DO NOT TIGHTEN** the screws at this stage!



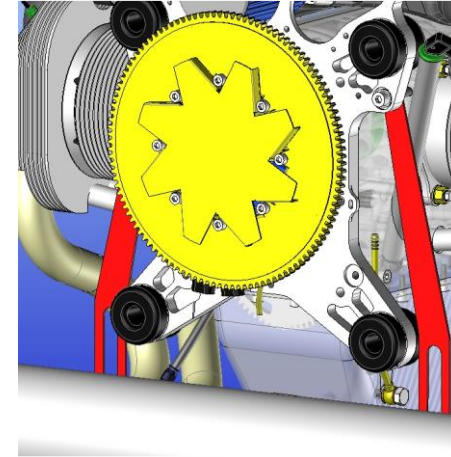
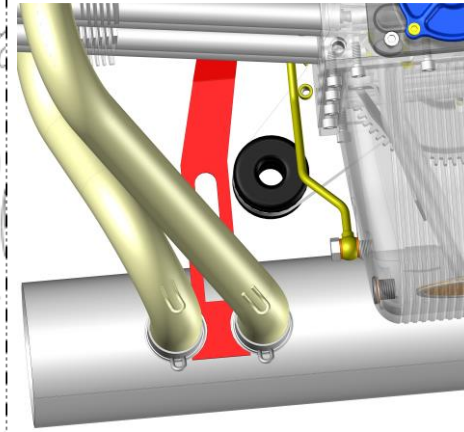
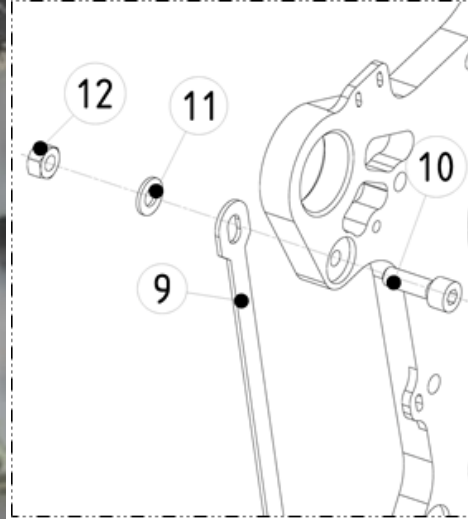
When inserting the manifold bolts, make sure you catch each one only a few threads before all bolts are caught to allow sufficient movement for ease of installation.



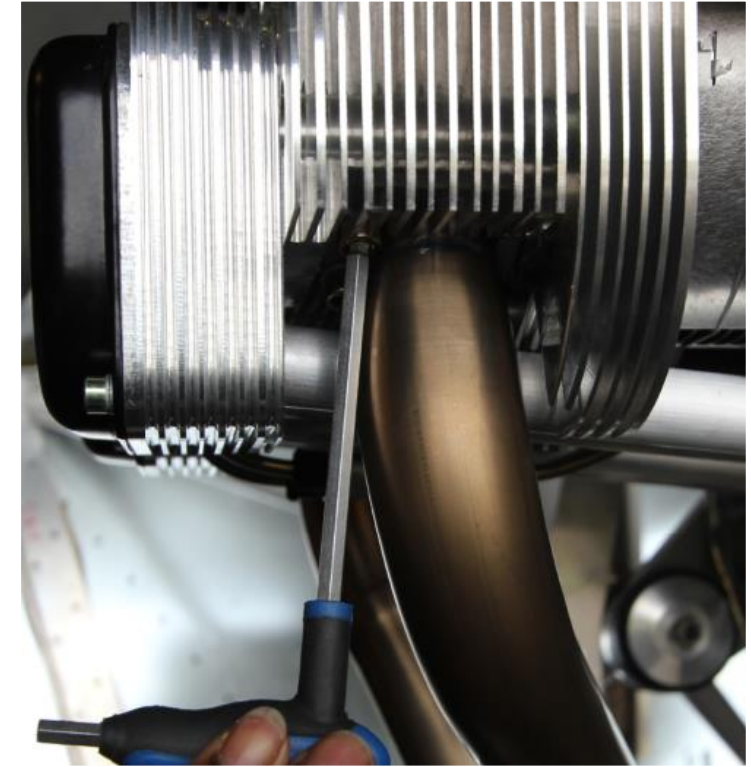
Fitting the Exhaust



5. Fit the exhaust muffler hanging brackets using the M8 bolts and nuts provided.
6. install the muffler (you can use an Allen key to assist with spring fitting).
7. Glide the exhaust tail tube in the muffler. You can add grease to the outside of the tubes for easier installation.
8. Fix the muffler with the brackets and clamps to the engine.
9. **Only torque the manifold screws (10Nm) after you have installed the muffler !**



Clamp



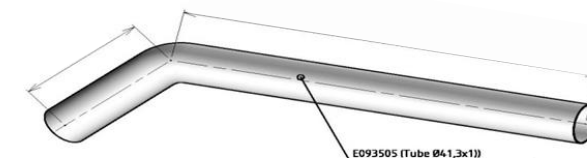
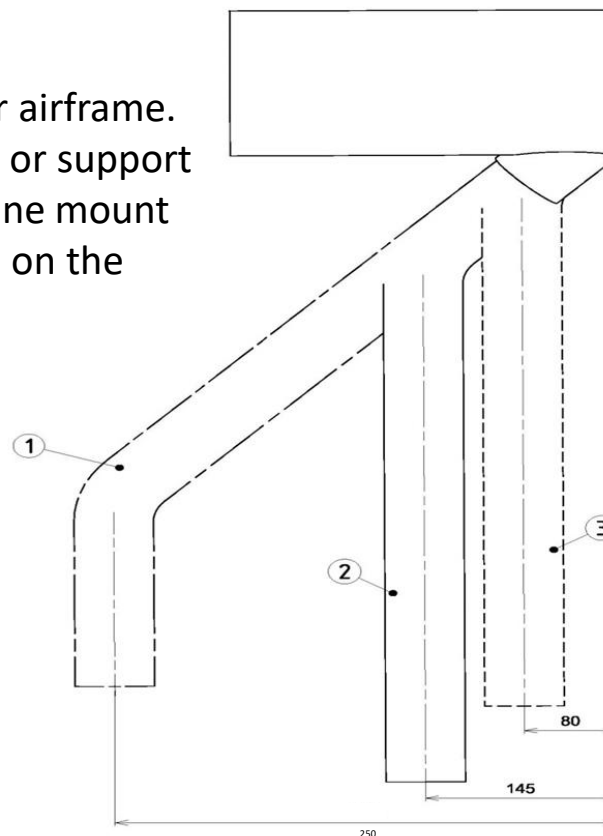


Fitting the Exhaust

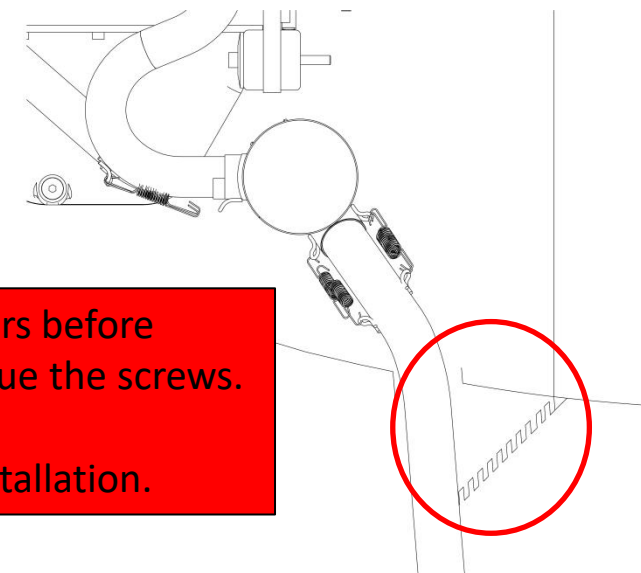
To fit the tail pipe, you may need to cut/adjust to suit your airframe. Tail pipes over 200mm long will require a flexible 'hanger' or support (e.g. spring or rubber) between the fuselage/firewall/engine mount and the tail pipe, to prevent excessive vibration and strain on the exhaust muffler port.

The final exhaust tube can be cut to suit a wide range of installations, giving you the freedom to alter the distance between the centreline of the engine and the centreline of the outlet tube from 80mm to 250mm.

Once the position is established, mark the weld point for the two spring tabs to muffler and any hang points that may be needed. Weld tabs with the tail pipe OFF the aircraft/engine and install with springs.



Nr	Tube
1	Standard tube: long tube end glide in muffler
2	Standard tube: Short tube end glide in muffler
3	Modified by customer to most short position



CAUTION: Make sure you take your time to set the muffler, exhaust tubes and hangers before torquing manifold bolts. Ensure Nordlocks are correctly mounted. Do not over torque the screws.

You may use a little copper grease or other high temp grease to facilitate exhaust installation.





Exhaust

Unless otherwise agreed, your ULPower Aero Engine will be delivered with the UL power exhaust system. The system is designed to match the engine and the ECU and to reduce the noise to an acceptable level without losing power.

The design of the exhaust system is related to the ECU software program. Any changes may result in decreased performance of your engine, Only use an exhaust system that is MATCHED to the ECU software you have installed.

Any modification to the ULPower exhaust system, without specific approval , in writing , by ULPower will void your engine warranty !

For certain installations, it is possible to 'turn around the exhaust' as it is a symmetrical assembly (e.g. for propulsive installations.)

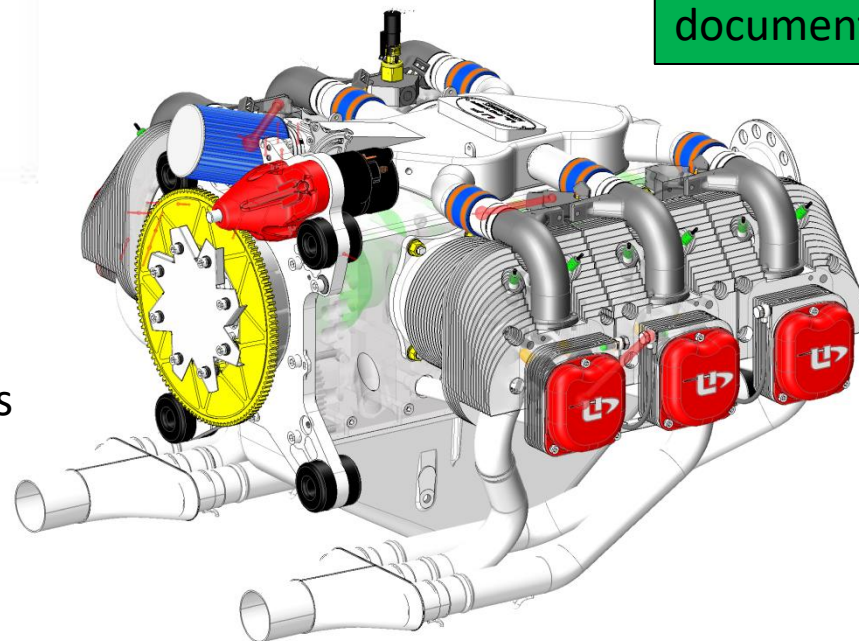
Each of the engine models has a range of exhaust options each of which may have slightly different installation requirements. Detailed drawings of these exhaust options can be found on the following pages...



Alternative Exhaust Options



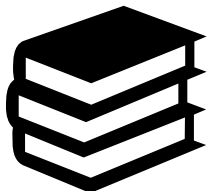
4-into-1 for 260 / 350 series



3-into-1 for 390/520 series

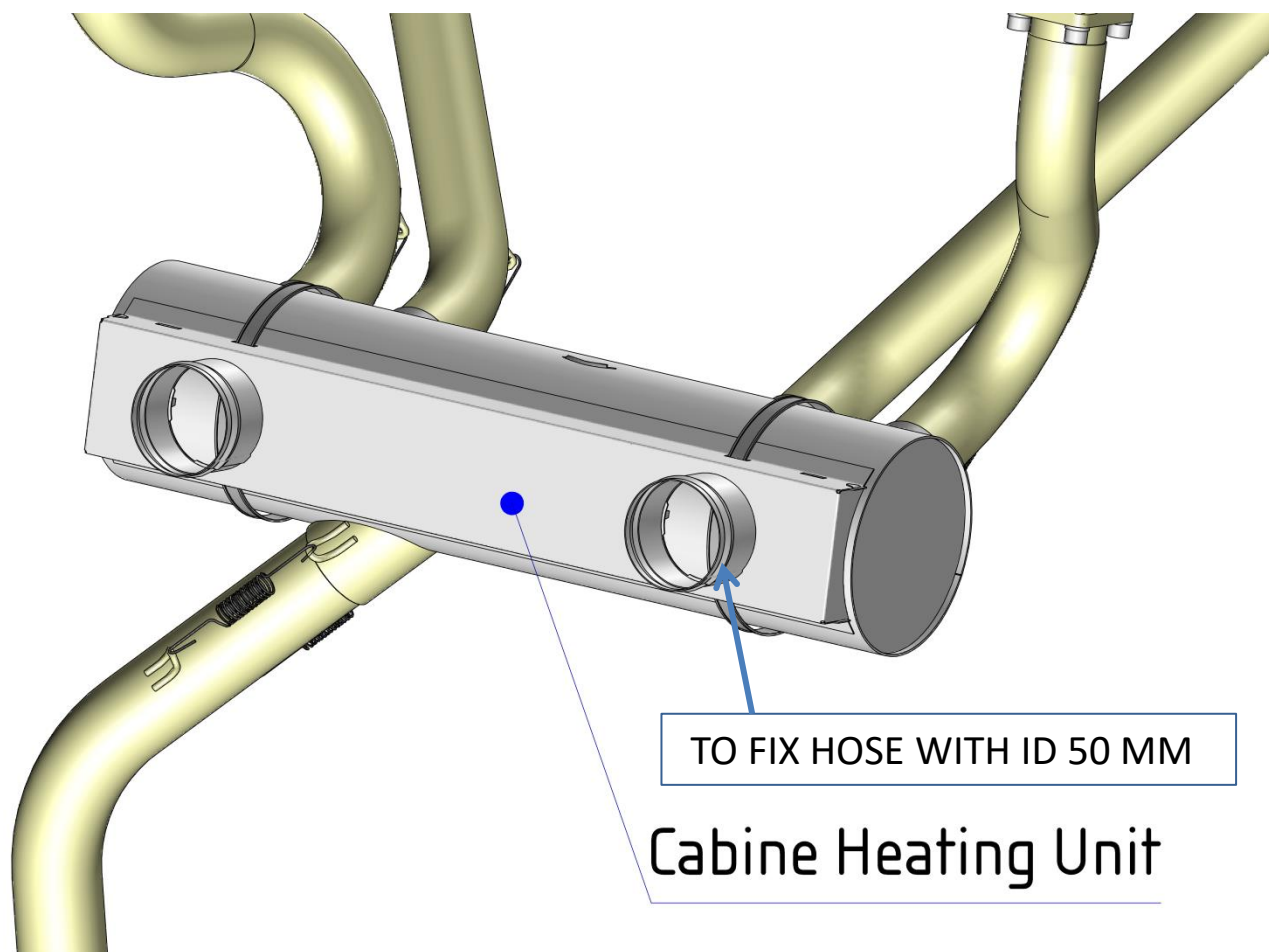
ULPower offers a range of alternative exhaust installation options which are covered in the respective engine technical documents, which can also be downloaded from our website.



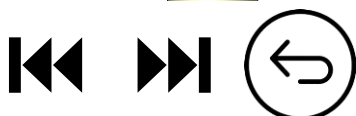


Exhaust Options

CABIN HEAT: ULPower offer a cabin heating unit as per the diagram below. Installation and fitting of this option will be airframe dependent.



More details on latest models and variants can be found at www.ulpower.com as well as in the respective Illustrated Parts Catalogue for your engine.





Important warnings electrical system



The electrical system for the ULPower engines is straightforward and aimed at easy installation with reliable operations.... However, there are a few things to keep in mind :

1. **Read the full electrical section** before starting installation...
2. Use appropriate **wire gauge**
3. Install **suitable fuses/breakers** for the engine side of the installation (and aircraft side)
4. **Avoid extending the provided wiring looms** (longer cable harness(es) can be ordered optionally)
5. Use **suitable connectors/terminals/...**
6. Install matching **switches**
7. The **wiring bundles for the ECU are critical to engine function** and should be placed away from moving components, if this is not possible ensure the wires are protected/shielded from chafing or other damage.
8. Check if the **regulator is connected** correctly and provide **cooling** to the regulator
9. Make sure the **engine is suitably grounded**
10. Install a **suitable starter button**
11. Ensure suitable Ah on **battery** and install **the capacitor** for protection
12. Make sure the **ignition cables are installed correctly** and **tightened well** ([see video](#))

On some installations the starter button is powered from the airframe side to inhibit accidental starting without the master relay activated.





Electrical systems

Minimum wire section and recommended breaker/fuse :



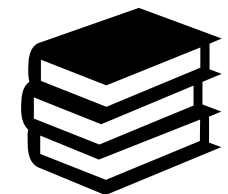
Item	AWG (min.)	Recommended breaker/fuse (A)
ECU 4 cylinder	14	15
ECU 6 cylinder	14	20
Fuel pump	14	15
Starter button	14	(30)
Starter motor	4	
Capacitor	10	

The wire sections listed are the MINIMUM required wire sections. Ideally you should calculate your wire length and section to meet electrical current needs and add a safety margin for every circuit, see following pages for guidance.

The switches used must be matched to the cable section and current/voltage rating. Always use high quality reliable switches intended for the correct application.

Install a suitably sized fuse for the aircraft side of the installation, taking into account your total power requirements and availability.





Electrical systems

GUIDELINES: Before you begin installing your electrical system, here are some guidelines on standards and quality of parts required:

Wire: Always use high- quality wire for your installation. Generally, Aircraft hook-up wire has a low smoke insulation and is more resistant to heat and the typical ‘twists n turns’ of installation than other wires. We strongly recommend using aircraft-approved wiring in your installation. This manual specifies various wire gauges (cross sectional area of wire), however, for longer wire runs you may need to increase the wire gauge/section to ensure trouble free operations. Remember that as wires get longer, they consume more current themselves, and then they get warm – for reference, the resistance of copper increases by approximately 25 % between 20°C and 85°C (68°F and 185°F) – this may result in operational issues over time on installations with limit or undersized wire sections.

Connectors/terminals/BUSBARS: These must be of a type that does not ‘shake loose’ with vibration and capable of carrying the load of all the circuits connected to it.

EXAMPLE: the starter relay requires a minimum of at least 25mm² (4 AWG) to and from the airframe power plus a ‘trigger wire’ from the starter button of at least 2.5mm² (14AWG). Much as the engine will start with SMALLER wire sections when the engine is cold, once it get warm in the engine compartment the WIRE itself will consume some of the electrical energy needed to start the engine – and hence hot starting may be difficult – simply due to undersized wiring.

Ideally you should calculate your wire length and section to meet electrical current needs and add a safety margin for every circuit.

Standard wiring practice, as may be applicable, is covered in FAA Maintenance Technician Handbook ([FAA-H-8083-30](#)), Aircraft Wiring and Bonding ([AC 21-99](#)) and Acceptable Methods, Techniques and Practices – Aircraft inspection and Repair ([AC 43.13](#)).





Electrical systems

There are several ways to monitor your electrical system's robustness and health.

Battery Voltage:

Monitoring the battery voltage will indicate a) if you have sufficient charge to start the engine (more than 12.8 V normally) and b) once the engine is running, it will indicate if the alternator and/or rectifier/regulator is working properly. If the battery is charging, the voltage should be above 14 V. If you are consuming more power than the alternator can deliver or in the rare event the alternator or regulator/rectifier has failed, the battery voltage will drop. If in flight the voltage drops below 12.7 V you should land as soon as possible. (If your battery is fully charged, and you have regulator/alternator failure, you will still be able to fly 45 minutes.) In the event of a low voltage situation developing, it is generally good practice to switch off unnecessary electronics and restrict radio transmissions to preserve battery life (check the procedure in your aircraft POH (Pilot Operating Handbook) as applicable).

ECU Voltage:

The ECU Low Voltage warning light will only come on when the voltage **at the ECU** has dropped below 12.7 V. The voltage at the ECU may vary from the voltage on the main bus, depending on your electrical installation. Adding a voltmeter (or wiring to a port on your EFIS) in parallel to the ECU supply may provide an additional health check in some installations. If the voltage drops below 10 V, the ECU will no longer function, and the engine will stop.

Electrical Current (amps):

An amp meter can also be installed to precisely measure the amount of electrical current the alternator is delivering – the higher the amperage the more electricity is being consumed. There is a limited amount from your alternator (15, 30 or 50 amps depending on your configuration) and you must not exceed that amount. Likewise, in the event of an alternator failure, reducing the current draw will extend battery life. [Click here to see the alternator performance.](#)





Electrical systems

Before you begin installing your electrical system, here are some guidelines on standards and quality of parts required:

SWITCHES: all switches should be of a good quality, robust and suitable for at least 15V DC operations. Check for a high number of mechanical operations rating and/or MTBF (Mean Time Between Failures). It is important that your switches and their installation are reliable as they are your interface to the engine. Always check (local) installation and aviation standards.



Toggle Switches, used for ECU, Ignition circuits, Fuel Pumps, etc: SPST (Single Pole Single Throw), latching (remain on when put on) and in most circumstances a 20A current rating will meet the requirements of an installation.



Push button switches, (used for triggering the starter relay): SPST momentary/non-latching (only closes the circuit when pushed and opens when released). This should be suitably sized to enable easy activation in an emergency, but not able to be activated by accident. In many cases, a good quality 5A rated switch may last many years, however, we recommend a minimum rating of 35A for the start button to avoid the risk of overloading and burning out over time due to momentary current loads of over 30A. There are various styles from the 'industrial' to more 'discrete', at your discretion – local 'racing car' outlets generally carry some suitable buttons. If using a low amperage rated switch you may opt to use an intermediary relay to protect your circuit.



Key switches: 'Master type' key switches SHOULD NOT carry the full electrical system through themselves.

If you are using a key switch to control your electrical system you should install a suitably rated Master Relay capable of handling the current demands of the installation. Check the master relay trigger current before selecting your key switch.



Key Switched 'On/Off/Left/Right/Start' key switches may NOT be suitable for ULPower installations without the use of suitable relays due to their low amperage limits. Ensure such switches are rated appropriately or consult a qualified aircraft engineer.



ECU Specification



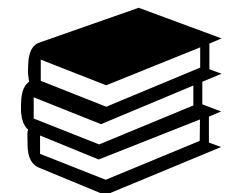
The ULPower development team have over 19 years trouble free experience with this ECU architecture.

The FADEC ECU ensures easy start and optimal fuel burn without the need for choke, primer, carb heat or mixture controls. The only control required is a throttle cable!

The ULPower ECU is encased in a compact, aluminium body ECU, is RTCA/DO 160G and DO178 compliant and features high-quality MIL-DTL-38999 connectors. The ECU is electrically robust, allowing it to share a common electrical system with the airframe. Although, recommended to be installed behind the firewall, it may, where necessary, be fitted FWF (ensure temps <math><65^{\circ}\text{C}</math>). The ECU connectors are rated for up to 500 mating cycles. We do not recommend removing the ECU Engine and Cockpit loom connectors once the engine is commissioned, unless required for a software update.

The ECU map will use default values for oil temp, air temp, etc in the event of a sensor failure, and keep the engine running, albeit less efficiently than with actual values. Consequently, fuel burn MAY increase in such an event. The ECU does NOT raise signal warnings for values outside of ranges – that should be managed by your EFIS.





Dual ECU Installation

For those who require additional redundancy for their missions, ULPower offers a genuine dual ECU option, with discrete ECUs, duplicated looms and sensors.

Each can take over complete control retaining optimum ecu-map operations.

When choosing the dual ECU option, each ECU is linked to one fuel pump and one ignition coil.

ASTM F2339 engines are standard provided with a dual ECU system.

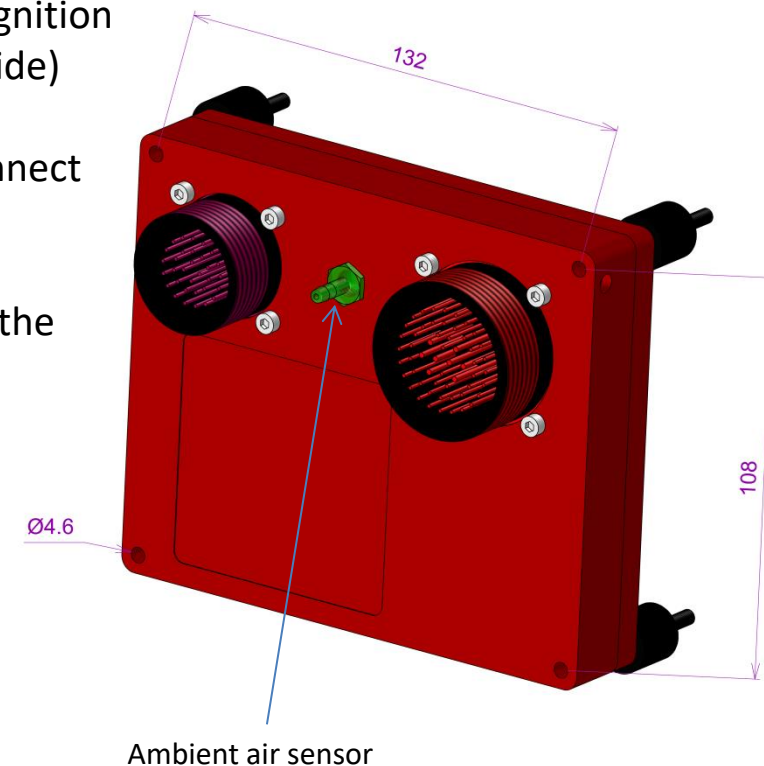
READ MORE @  **ULPOWER NEWS**





Installing the ECU

1. Install the ECU on a place clear of heat (max 65°C) and vibration at least 100mm from the ignition coils using the supplied rubber anti-vibration mounts. (e.g. firewall engine side or cockpit side)
2. Route ambient air sensor to a suitable location.
3. Route the larger ENGINE loom connector to the ECU and connect (from the same loom connect the coil and ground connectors securely).
4. Install Fuel Pump Control Relays (FPCRs) as required.
5. Wire the smaller 'COCKPIT' Loom connector to your instrument panel and connect fully to the ECU/Panel switches/breakers/fuses as required.
6. Connect CAN or RS232 cable to cockpit loom as required.



Ex. 4 cylinder cockpit panel

READ MORE @  **ULPOWER NEWS**

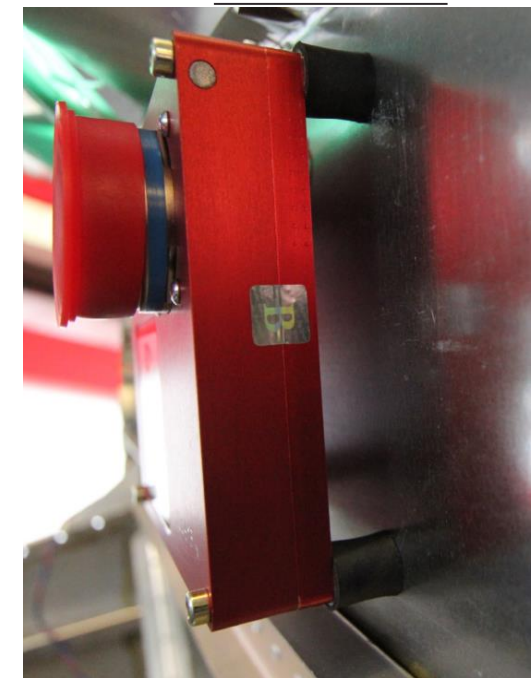
Always use good quality switches and connectors rated for at least 20amps operation. As a minimum you will need an ECU switch (15amp breaker/fuse for 4-cylinder engine or 20amp for 6-cylinder engines), two ignition switches and fuel pump switch(es) each with 15amp breakers/fuses.

NOTE: EGT/CHT and Engine start button are NOT routed through the ECU.

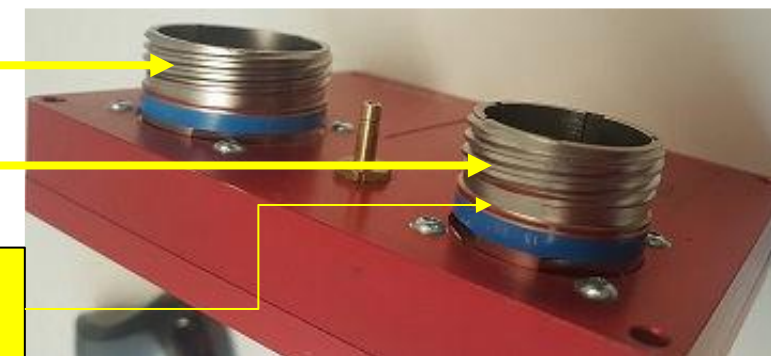




Installing the ECU



1. Locate the ECU behind the firewall OR firewall forward in a suitable zone clear of heat (max 65°C), vibration and at least 100mm from the ignition coils. If installed behind the firewall please remember to drill a hole to pass the connector (do not cut the wiring loom).
2. Lay out the mounting holes and drill to 5mm. Deburr as required.
3. Install ECU using the supplied rubber anti-vibration mounts.
4. Route a small air line from the brass ambient air sensor to a suitable location (e.g. near the air filter or into the static system – depending on installation.)
5. You may want to consider a filter to protect the ambient air sensor from dirt or insect contamination. Route the line to ensure that it cannot be blocked by water or debris as this sensor NEEDS to sense the ambient pressure as accurately as possible in order to allow the ECU to optimise engine performance.
6. Route the larger ENGINE loom connector to the ECU, with a suitable protection for wires, and thread onto the ECU until fully locked (red line on ECU side must be hidden).
7. Connect coils and grounding points from the Engine loom as required.
8. Wire the smaller COCKPIT Loom connector to your instrument panel and connect to the ECU. Thread onto the ECU until fully locked (red line on ECU side must be hidden).



Thread the cockpit- and engine-wiringloom onto the ECU until fully home (red line on ECU side must be hidden).

DO NOT cut or modify the wiring looms and DO NOT open or tamper with the ECU itself. Doing so may result in engine failure and personal injury and will void your warranty.

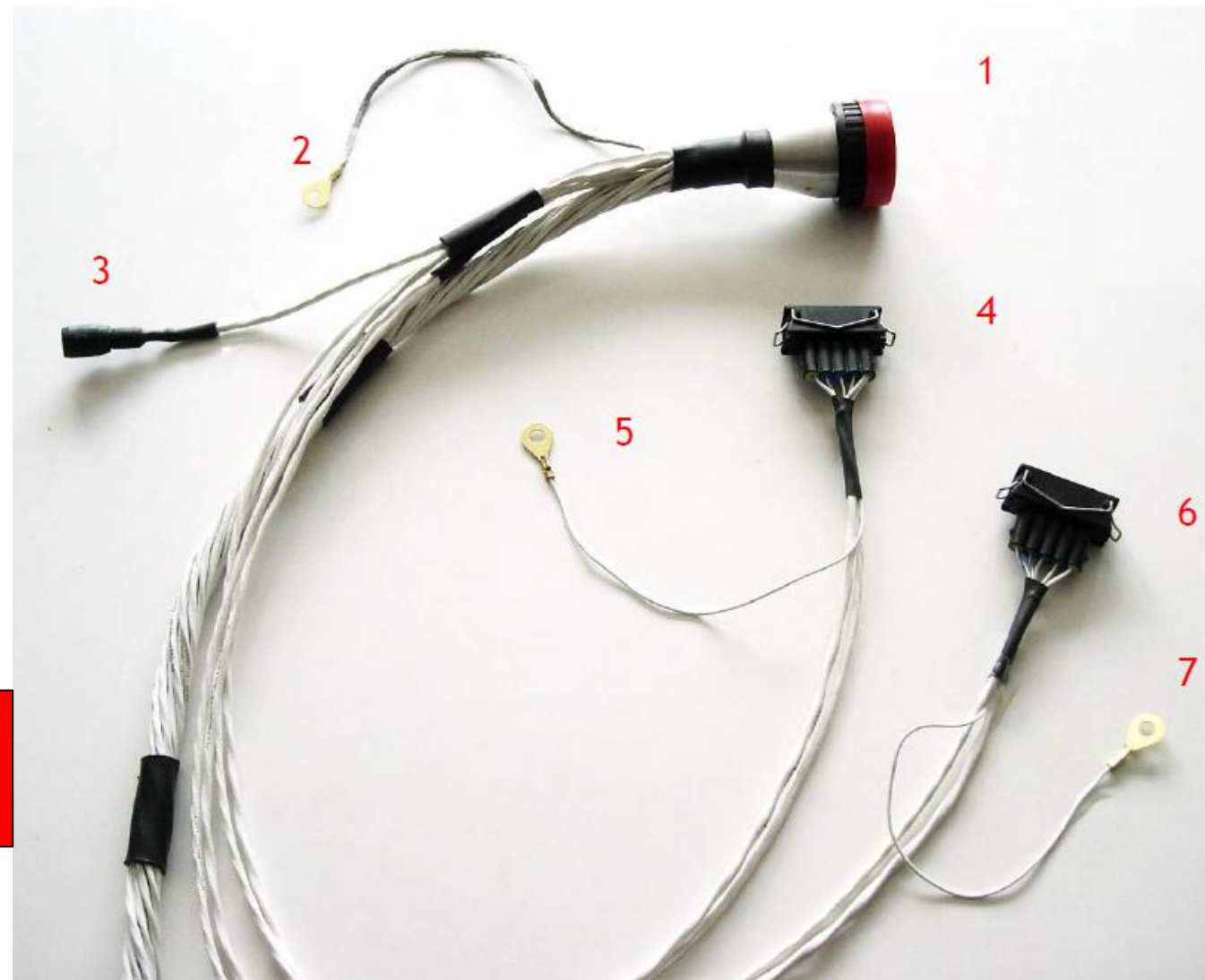




Installing the ECU – Engine Loom

The engine loom has the larger of the two connectors going to the ECU. Most of the wires are already connected to the engine sensors, coil triggers and injectors, however, you will need to route the loom through the firewall and also connect the coil connectors, earths and other connectors as required

1. Connect to ECU (thread on fully)
2. Ground for cable shielding – to airframe ground (green marker)
3. Connector for optional Aux box
4. Connector for coil 1 – must be securely connected
5. Ground for coil 1 - to airframe ground
6. Connector for coil 2 – must be securely connected
7. Ground for coil 2 - to airframe ground



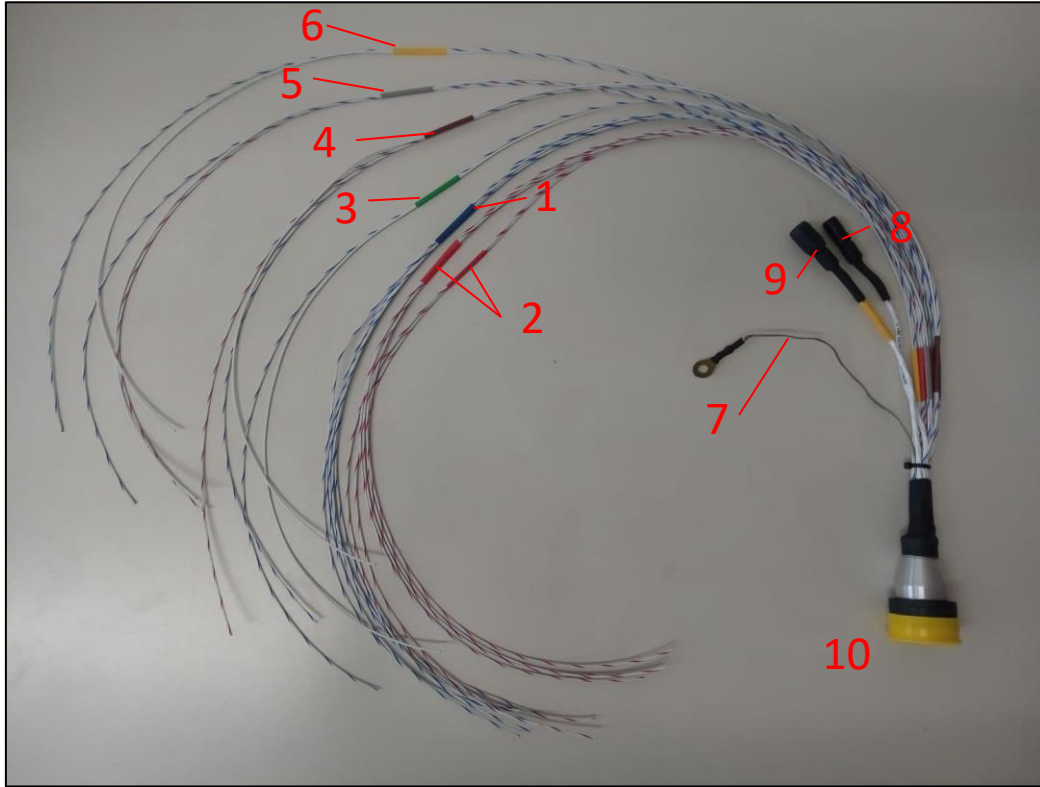
The standard engine loom is 1000 mm long. If you wish to install the ECU further than 900mm from the rear of the engine a longer wiring loom may be ordered.





Installing the single ECU – Cockpit loom

The wiring of the cockpit Loom is best done section by section, using colour coded wires on the pre-wired, factory tested loom.



All wires are critical to engine functions, click [here](#) for important warnings

1. **Blue shrink sleeve** = -ve wires for ECU: route all 5 wires together to the airframe bus or battery –ve terminal. You may crimp all together or use individual terminals, i.a.w. acceptable practices.

2. **Red shrink sleeves*** (x2) = +ve wires for ECU: route all 6 wires together to a switch, You may crimp all together or use individual terminals, i.a.w. acceptable practices.

Install a 15A breaker (**20A for 6 cylinder**) between the switch and the +ve bus or battery +ve terminal. Wire between switch and breaker and +ve point must be a minimum 14AWG (2.5mm²) of suitable wire i.a.w. acceptable practices.

3. **Green shrink sleeve** = FPCR (Fuel Pump Control Relay) trigger wires route to one or two FPCR as shown (see later)

4. **Brown shrink sleeve*** = Ignition coil grounding wires (the approximate equivalent of a mag switch)

white/blue wire and white wire to ignition switch coil 1

white/blue wire and white/red wire to ignition switch coil 2

Remember: CLOSED circuit = OFF for these wires. (See more later)

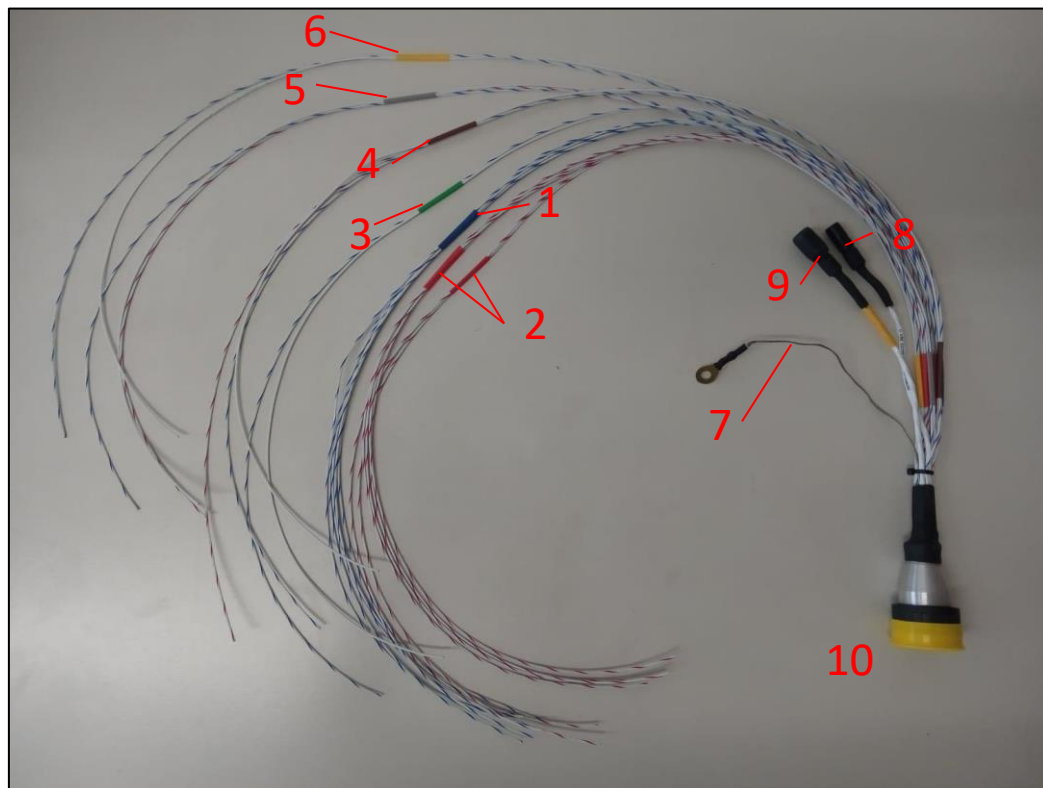
Continued on next page....

* For dual ECU systems click [HERE](#)





Installing the ECU – wiring Cockpit loom



All wires are critical to engine functions, click [here](#) for important warnings

5. Grey shrink sleeve = data lines – connection needed when not using an EFIS
white : RPM signal (2 pulses for ul260/350, 3 pulses for ul390/520, rev. 0 – 9V)
white/blue : Fuel consumption (Injector pulse*). Output is a duty cycle
 4 cylinder** : 100% equals 48l/hr or 6 cylinder : 100% equals 72l/hr
white/red : Fuel consumption (pulses/litre*)
 70l/hr = 170Hz (applicable for all engines)
WHEN USING AN EFIS THESE DO NOT NEED TO BE CONNECTED - IF NOT USED THEY MUST BE BLIND TERMINATED/INSULATED.

6. Yellow shrink sleeve :

- white/blue** : -ve connection for signal in case of battery low (<12.7V)
white : -ve connection for engine check light : (see [later](#))

7. Ground for cable shielding (Run to airframe ground/-ve bus)

8. Connector for RS232 data transmission, UL Read (Male)

9. Connector for CANBUS data transmission (Female) (may have **yellow** heat shrink marker on cable)

10. ECU Connector

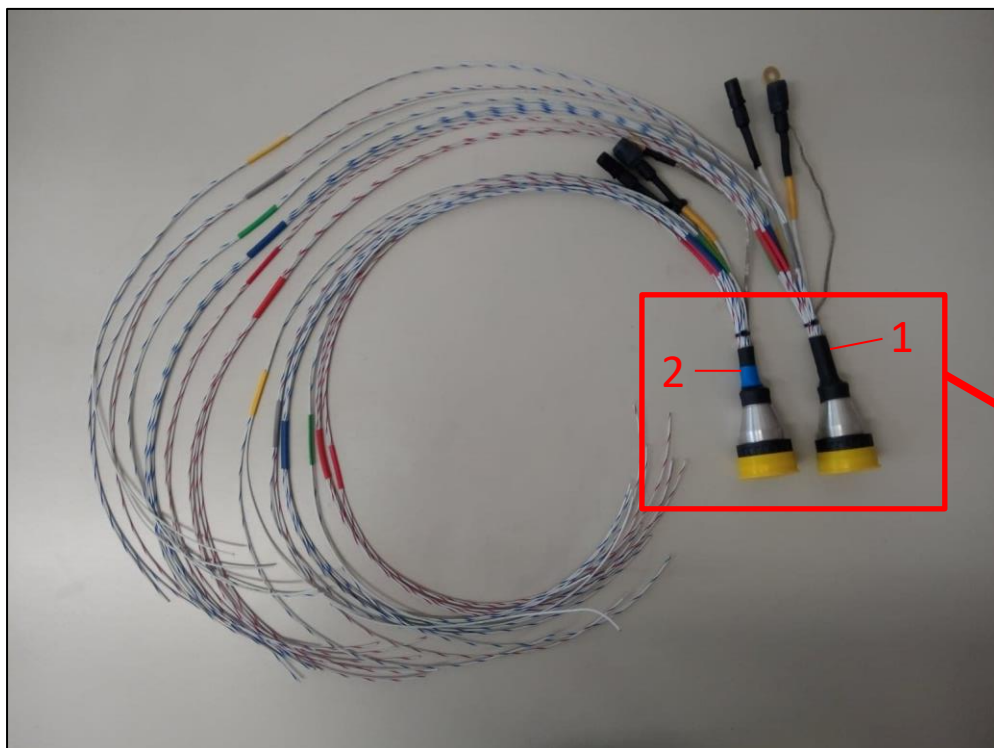
* Pulses/liter is more accurate than injector pulse

** Exception : UL350iHPS -> 100% is equal to 79 l/hr





Installing the dual ECU – Cockpit loom



When using 2 ECU's, there are 2 different cockpit wiring looms :

1. Black heat shrink = ECU A
2. Blue heat shrink = ECU B



The only difference between these 2 wiring looms is internal in the ECU connector, **so both wiring looms must be connected the same way.**

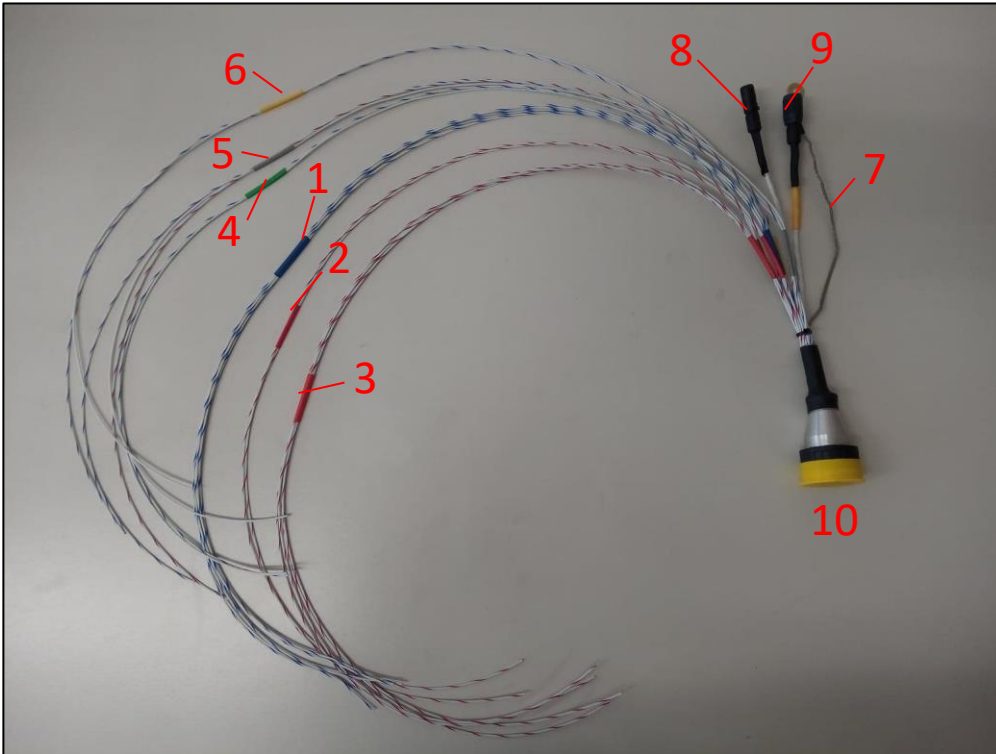
It does not matter which ECU you connect to wiring loom ECU A (1: black heat shrink) or wiring loom ECU B (2: blue heat shrink). The reason for using two different wiring looms is that the EFIS can recognize ECU A and B (the wiring loom determines this).





Installing the dual ECU – Cockpit loom

The wiring of the cockpit Loom is best done section by section, using colour coded wires on the pre-wired, factory tested loom.

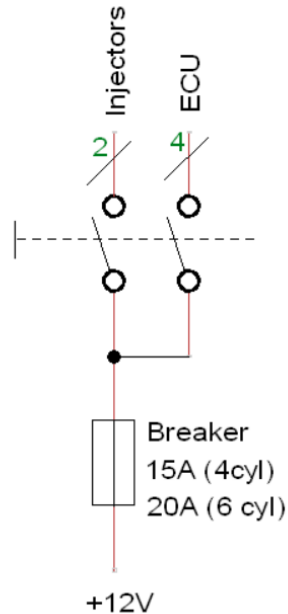


1. **Blue shrink sleeve** = -ve wires for ECU: route all 5 wires together to the airframe bus or battery -ve terminal. You may crimp all together or use individual terminals, i.a.w. acceptable practices.

2. **Red shrink sleeves** = +ve wires for ECU: route 4 wires together to a (double pole) switch, You may crimp all together or use individual terminals, i.a.w. acceptable practices.

3. **Red shrink sleeve** = +ve wires for injection/injectors: route 2 wires together to a (double pole) switch.

Install a 15A breaker (**20A for 6 cylinder**) between the (double pole) switch and the +ve bus or battery +ve terminal. Wire between switch and breaker and +ve point must be a minimum 14AWG (2.5mm²) or suitable wire i.a.w. acceptable practices.

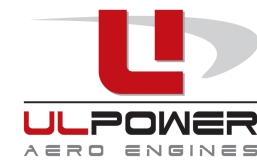


Do not connect 2 and 3 to the same switch! (as single ECU systems)
Use a double pole switch for the +ve wires from the ECU and injection!
(Or 2 separate switches)

4. **Green shrink sleeve** = FPCR (Fuel Pump Control Relay) trigger wires route to one or two FPCR as shown (see later)

Continued on previous page....click [HERE](#)



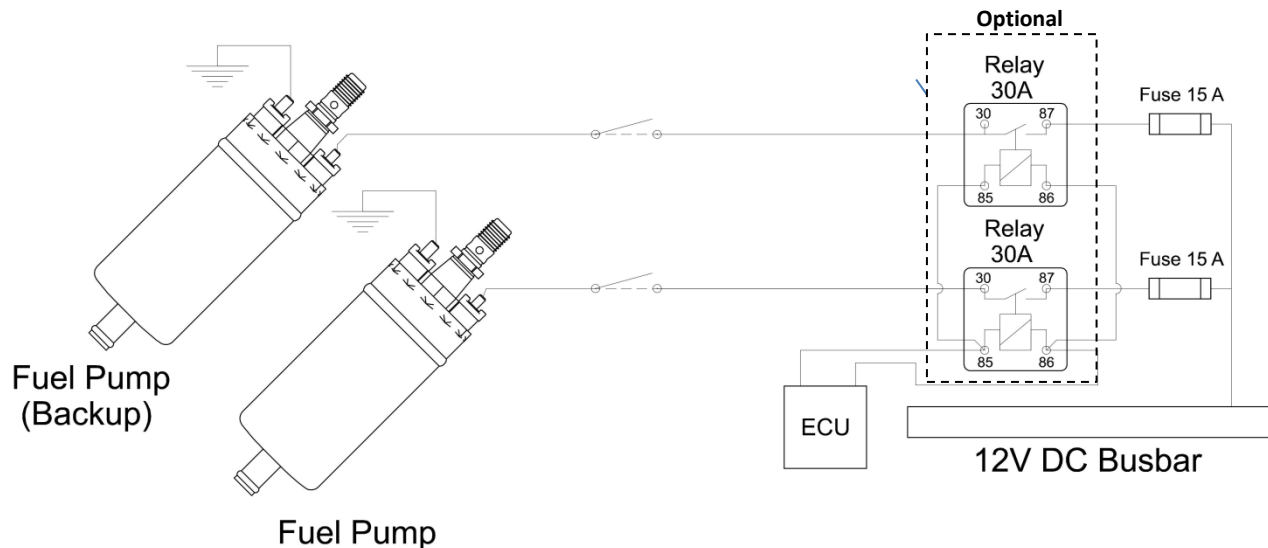


Installing the ECU – wiring the FPCR

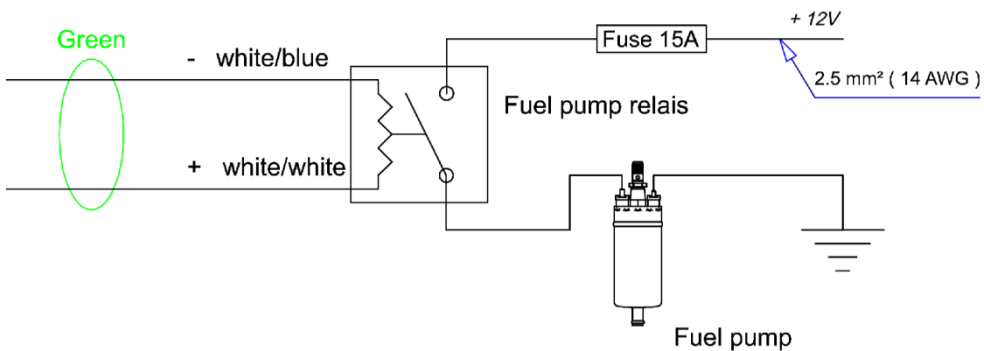
3. **Green shrink sleeve** = FPCR (Fuel Pump Control Relay) trigger wires route to one or two optional FPCR units as shown here

The Green shrink sleeve contains two wires which are used to trigger the FPCR (Fuel Pump Control Relay). Connect one wire to position '85' on the FPCR and the other to '86' on the relay.

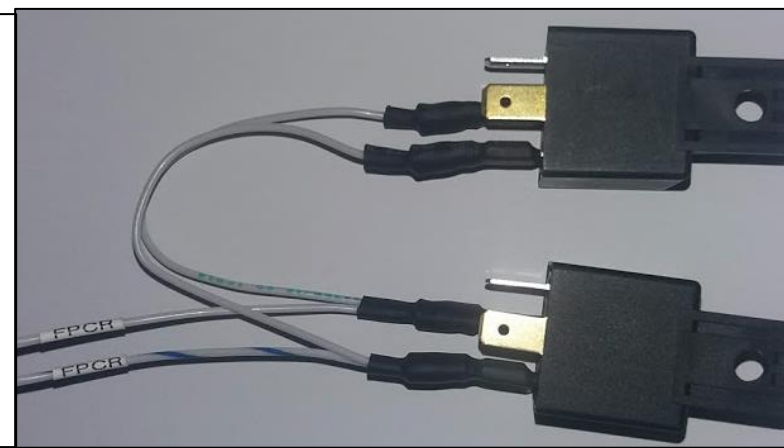
Run a wire from '87' to the 12V bus via a 15A breaker/fuse. Run a wire from '30' to the switch and then to the fuel pump positive connection.



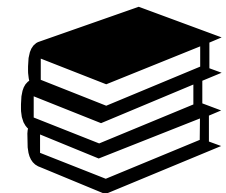
Wire the fuel pump –ve connection to airframe ground



Use one FPCR per pump. 'Cascade' the wires from the ECU to '85' and '86' on each relay as shown right.



You may install one or two fuel pumps, with or without FPCR but may only operate **BOTH pumps at once for a maximum of 15 - 20 minutes (for example during take off/landing or during fuel tank selection)**



Installing the ECU – wiring the FPCR

If installed correctly, when the engine is running the ECU will latch the FPCR to enable fuel pump(s) operation. In the event of the engine stopping, the ECU will ‘un-latch’ the FPCR’s and stop the fuel pumps operations (after 15 seconds). This is a safety device.

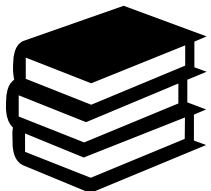
When first powered the ECU will latch the fuel pump for around fifteen seconds to pressurise the fuel system and check the relay operation, whilst waiting for the engine to ‘run’. In the event that the engine has not been started, the FPCR is then un-latched to prevent unnecessary power drain, until the crankshaft starts to turn – from the starter being activated. If the engine starts within the 15 seconds, the pumps run continuously.

This system ensures the pumps do not drain the battery unnecessarily and is a way to check to that the FPCR emergency cut-off is functional too.

There are several wiring solutions that may be used (in combination from the following), depending on local approvals :

1. Wire the pump(s) INDEPENDENTLY of the ECU, noting that the ECU cannot shut the pumps off without the FPCR installed.
2. Wire BOTH pumps via TWO ECU triggered FPCRs
3. Wire one pump via the ECU triggered FPCR and, if required, one pump independently
4. Wire pumps so that ONLY one pump can be on at a time using a DPDT (Dual Pole Dual Throw) switch that switches from one to the other without the option of both pumps at once.
5. You may install an ‘override’ switch to bypass the FPCR if required, in accordance with standard practice methodologies.





Installing the ECU – wiring the FPCR

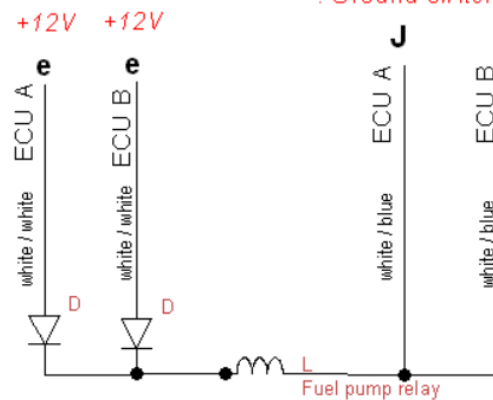
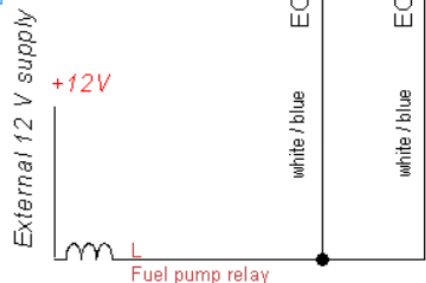
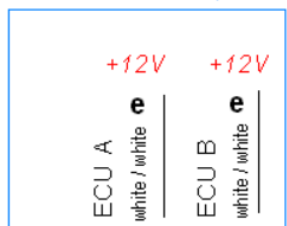
Dual ECU systems:

If one fuel pump control relay needs to be powered by both ECU's, it is important to separate the 12V from one ECU to the other. In this case, below wiring diagram is advised:

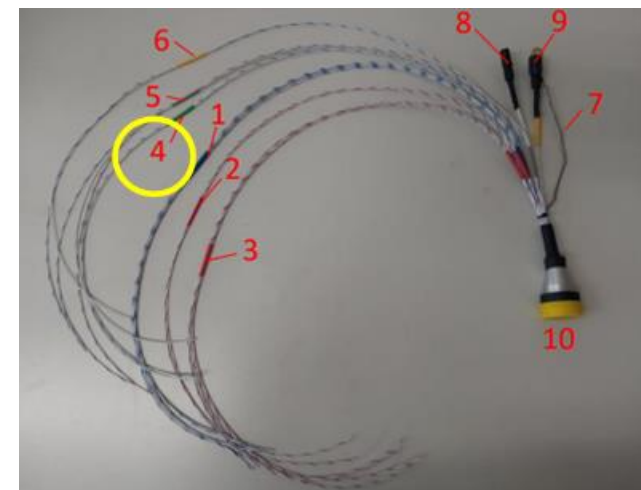
Do not connect these wires (insulate them)

OPTION 1

OPTION 2



Diodes as close as possible to Fuel pump relay



INSTALLING 1 fuel pump relay DUAL ECU
Green heat shrink wiring cockpit wiring loom





Installing the ECU – wiring the Coil Switches

4. **Brown shrink sleeve*** contains the Ignition coil grounding wires (the approximate equivalent of a mag switch). There is a 'common' grounding wire which is blue/white and then the two Ignition switch wires.

Use high-quality, SPST (single pole, Single Throw) switches and connect the white/ blue 'common grounding' wire to a terminal on both switches.

Then, connect the white/white wire to the other terminal on 'Ignition Switch 1' and the white/red wire to the other terminal on 'Ignition switch 2'.

Brown

white/white (ign. 1)

white/blue (common)

white/red (ign. 2)

Ignition 1 (On/Off)

Ignition 2 (On/Off)

(Open contact = on)

DUAL ECU :

- For dual ECU systems there are no brown shrink sleeve wires, each ECU has its own dedicated coil



It is important to note that IGNITION switches are actually 'ON' only when the circuit is OPEN. When the circuit is 'closed' the Ignition coils are 'grounded' and the engine will stop – exactly the same as a magneto switch.

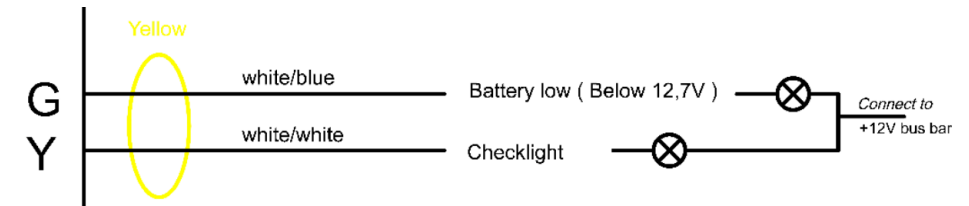


Installing the ECU – wiring Warning Lights

The ECU provides output for two standard warning lights. These can be incandescent lamps or a 12V LED panel mount indicator. Convention is that warning lights are red.

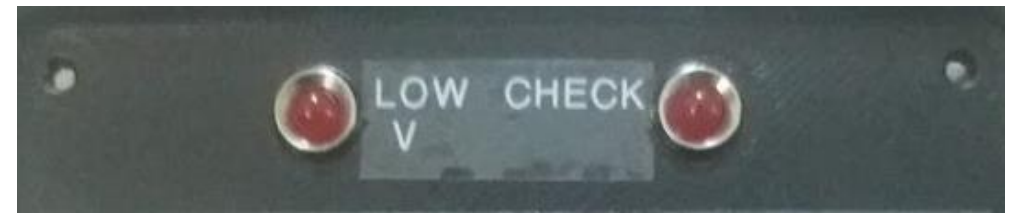
6. Yellow shrink sleeve :

- white/blue : to the negative side of the lamp/LED (max 2w) in use: illuminates in case of battery low (<12.7V) as sensed at the ECU
- white : to the negative side of the lamp/LED (max 2W) in use: illuminates in the case of a sensor error on the engine and is often referred to as the Engine Check or simply Check Light.
- Bring a positive wire to the other side of the warning lamp/LED with a 1Amp fuse or breaker in line.



On the latest ECU (engines with SN >191401) these lights will illuminate for a few seconds on start up of the ECU. Older installations may benefit from a 'test' button to check the lights are working as part of the pre-flight check procedure.

In some cases you may choose to wire these signals into your EFIS system as a digital signal for an on screen warning. Refer to your EFIS installation manual for more details.



There are many different lamp solutions available commercially, both incandescent and LED based. **WARNING:** It is recommended to use a 12V LED which usually have an integrated resistor (circa 400 ohm)



Installing the ECU – wiring Warning Lights

When the battery voltage at the ECU and the engine is running correctly, the warning lights are off.

If the voltage at the ECU drops below 12.7 volts, the LOW VOLTS LED will come on. It will disappear again when 13V is reached.

When there is a problem with one of the following sensors, the CHECK light will come on:

- Oil temperature sensor
- Inlet air temperature sensor
- Throttle position sensor
- Altitude sensor (Integrated in ECU)
- Hall sensor engine start (Sync/CPS)

In the event of the check light coming on the engine will continue to run – however, it may not be running optimally due to the use of default values in the ECU-map. Resolve the issue before next flight.





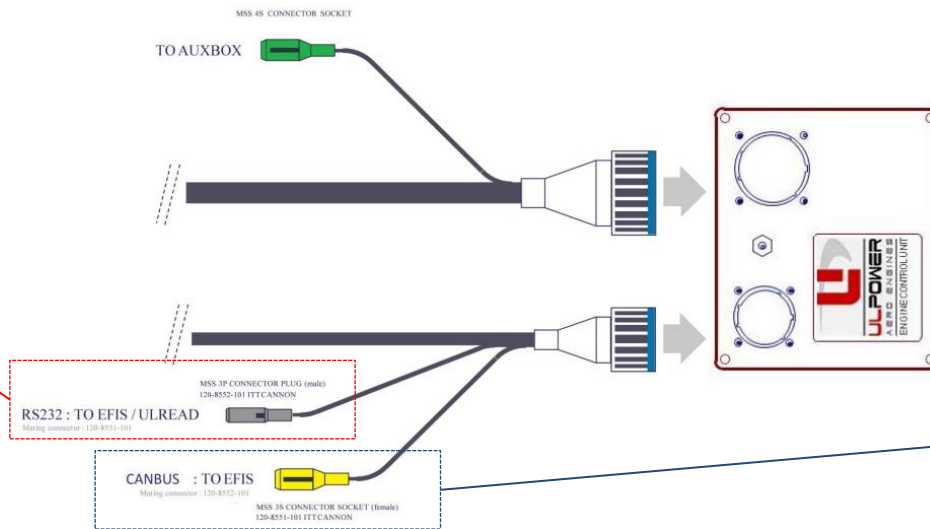
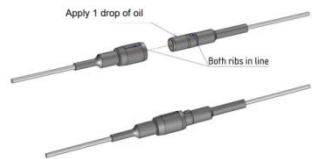
Installing the ECU – RS232/Canbus

ULPower engines have a number of [factory installed sensors](#). The ECU transfers data from these sensors per RS232 and Canbus (for engines with a serial number above 173301. Below that serial number data are transferred by RS232 only). This [data output](#) can be displayed on your EFIS (verify compatibility with supplier) by using 1 single cable.

RS232/ULRead

An RS232-EFIS cable (l=1m) is available. (E080305)

This output is also used for the [ULRead](#) diagnostic software (optional E080511 ULRead cable)

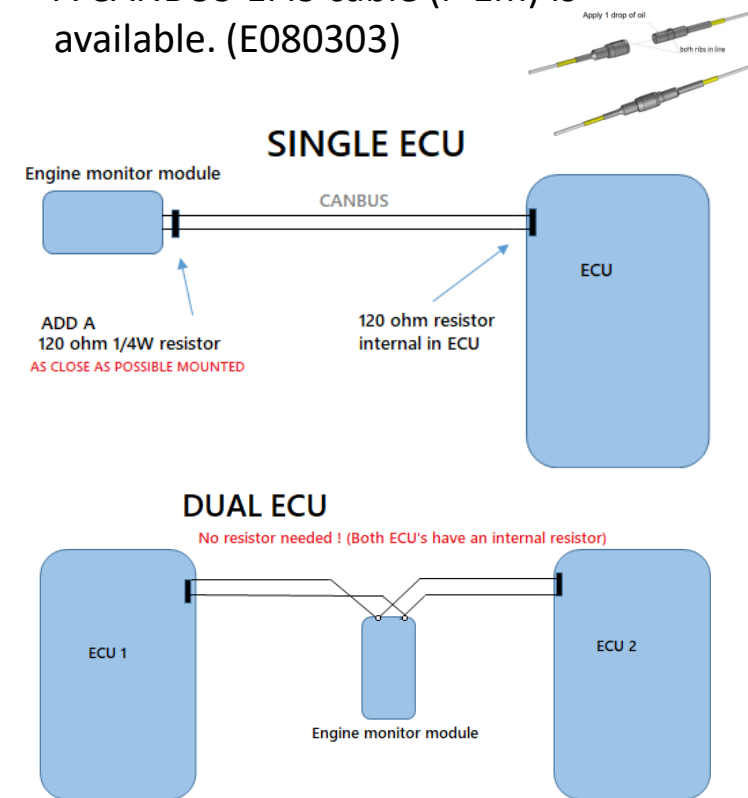


For canbus compatibility, most avionics systems require a 120ohm resistor. The ULP ECU already has a built-in resistor.

ULPower RS232 and Canbus protocol available on request

Canbus

A CANBUS-EFIS cable (l=1m) is available. (E080303)

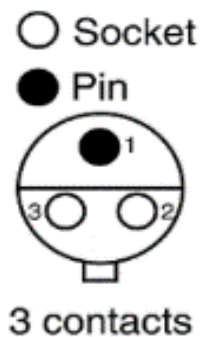




Installing the ECU – RS232/Canbus

RS232 connection (MALE)

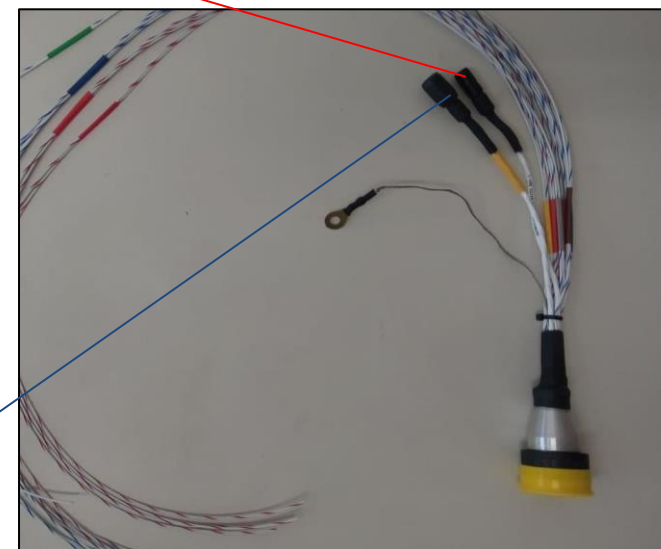
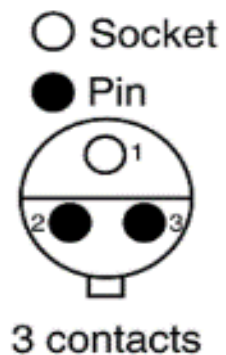
Eng data RX232*	2 female
Eng data TX232	3 female
Eng data common	1 male



***Do not connect RX (pin 2), the ECU is only sending data !**

Canbus connection (FEMALE)

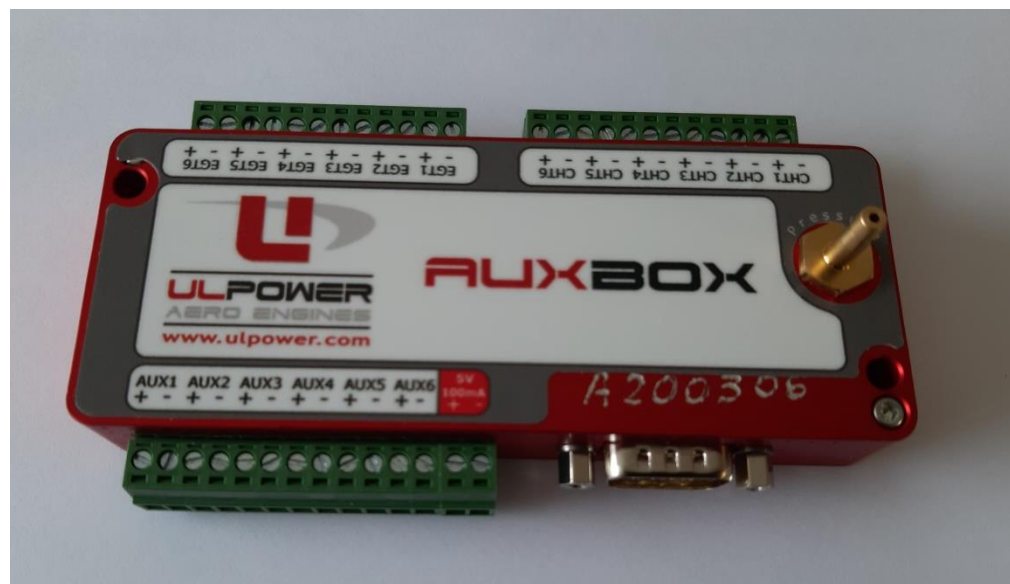
CAN H	3 male
Common -	1 female
CAN L	2 male



Aux Box integration to the ECU

For those who prefer EGT/ CHT and MAP data read out through the ECU onto their EMS, an AUX box is available. EGT-, CHT sensors and MAP connection parts can be supplied additionally. In addition there are 6 AUX 0-5V channels available for customized read out.

Contact your ULP dealer for more info or [click here](#)



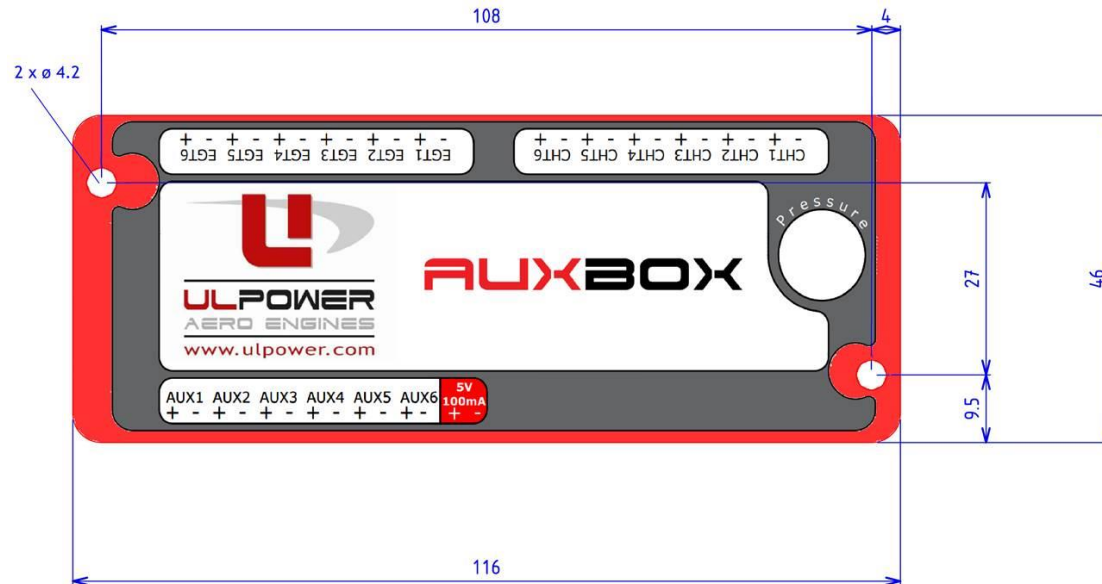


Aux Box mounting

Mount the auxiliary box in a location free from vibration and heat (same conditions as for instruments/ECU). There are two holes provided in the aux box for mounting.

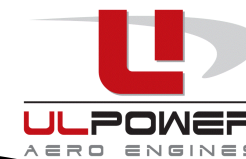
The data from the AUXBOX (Manifold air pressure, 6 x CHT and 6 X EGT – if the EGT/CHT are installed - and 6 Auxiliary inputs) can be monitored via Canbus or RS232 on your EFIS.

Please contact your EMS supplier to verify that the EMS is fully compatible with the AUXBOX.



Dimensions in mm





Aux Box inputs

1. Pressure sensor

- Connect the brass air pressure sensor with the manifold air pressure (use a suitable hose)
 - a. Via plug next to the manifold air temperature sensor (not for dual ECU systems).
 - b. Via double banjo bolt at the connection of the fuel pressure regulator.

For more information and parts, contact your ULPower dealer/service point.

2. EGT and CHT

- Up to 6 EGT and 6 CHT inputs available ,
- EGT and CHT sensor kit available from ULPower.



ULPower thermocouple extension
type : ANSI

3. AUX Inputs / 5V 100mA

- The AUX sensor input voltage is 0-5 V
- A 5V 100mA power supply is provided on the AUXBOX
- On the right side an example of a typical installation



The ground (-) is not connected internally. Use a cable bridge.

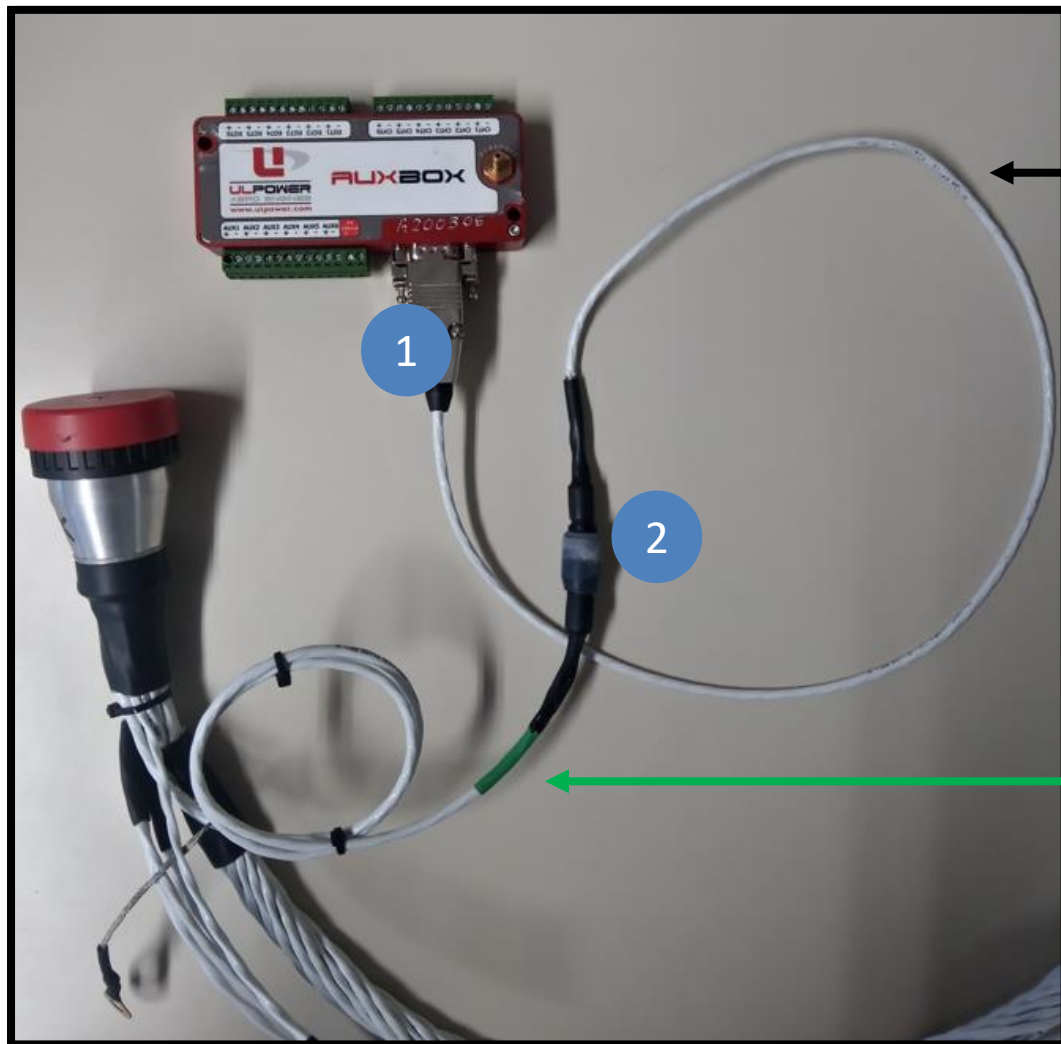
Sensor signal

Temperature sensor



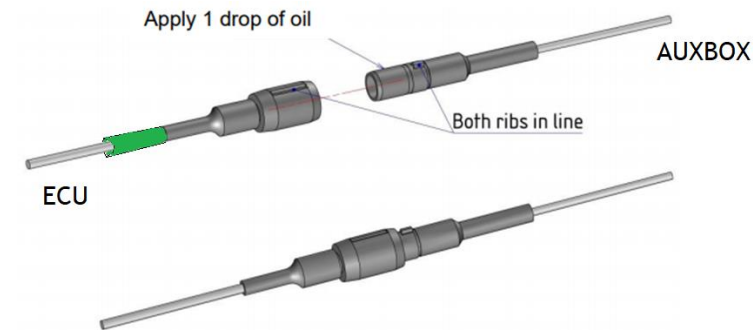


Aux Box connection to the ECU



The auxbox is supplied with a connection cable.

Connect this cable to the AUXBOX **1** (DB9 side) and connect the other end of this cable* **2** (sure seal) to the sureseal connector of the engine wiring loom (large ECU connector) which has a **green heat shrink**



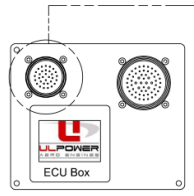
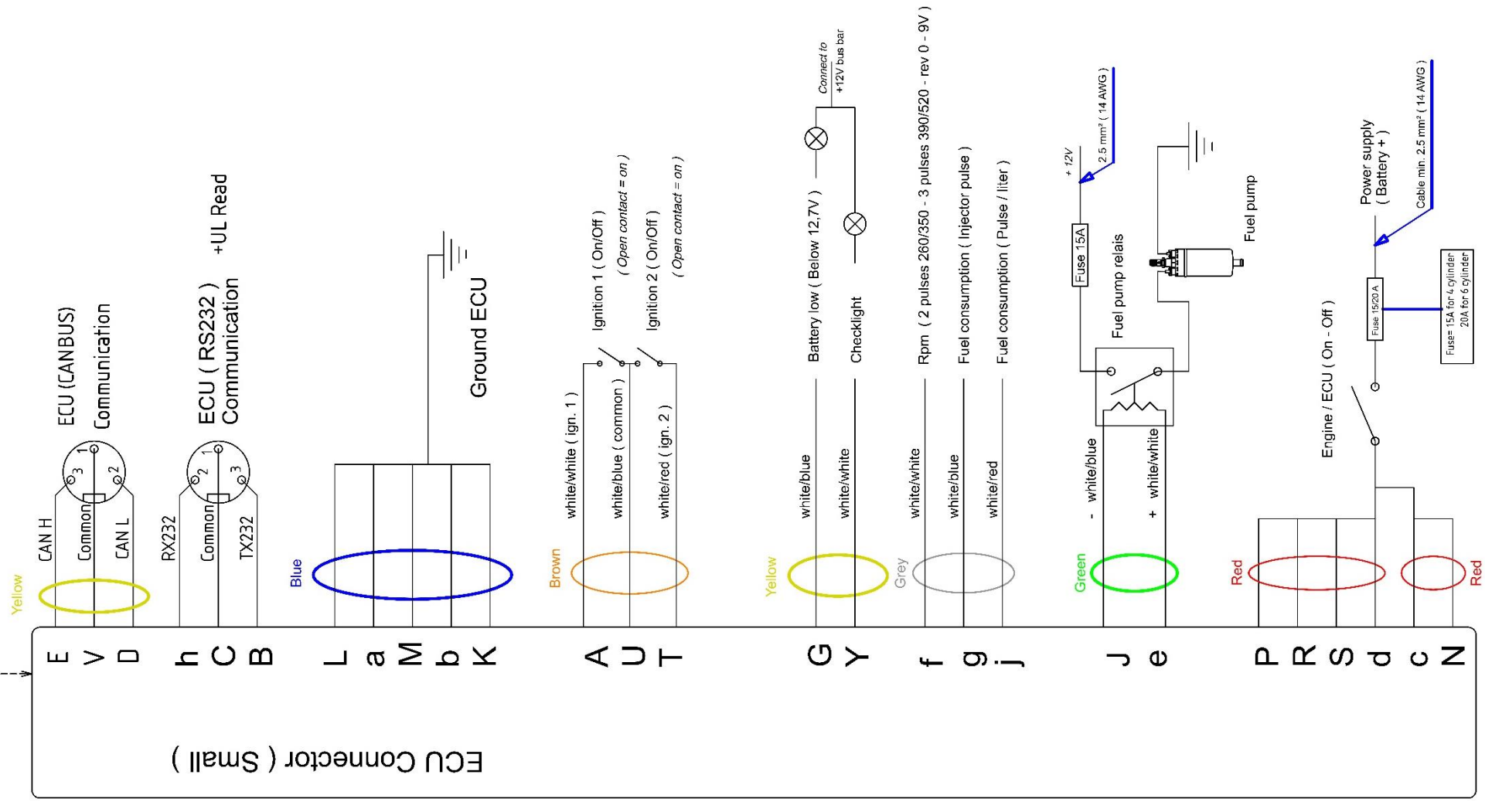
* In case of a dual ECU setup : The AUXBOX connection cable has 2 sureseal connectors, connect one to ECU A and the other to ECU B.



Single ECU Wiring Diagram

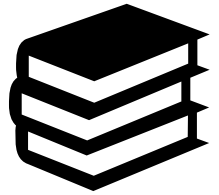


○ = Shrink sleeve around the wires
 ⊗ = Lec (Max 2 W / 680 ohm)



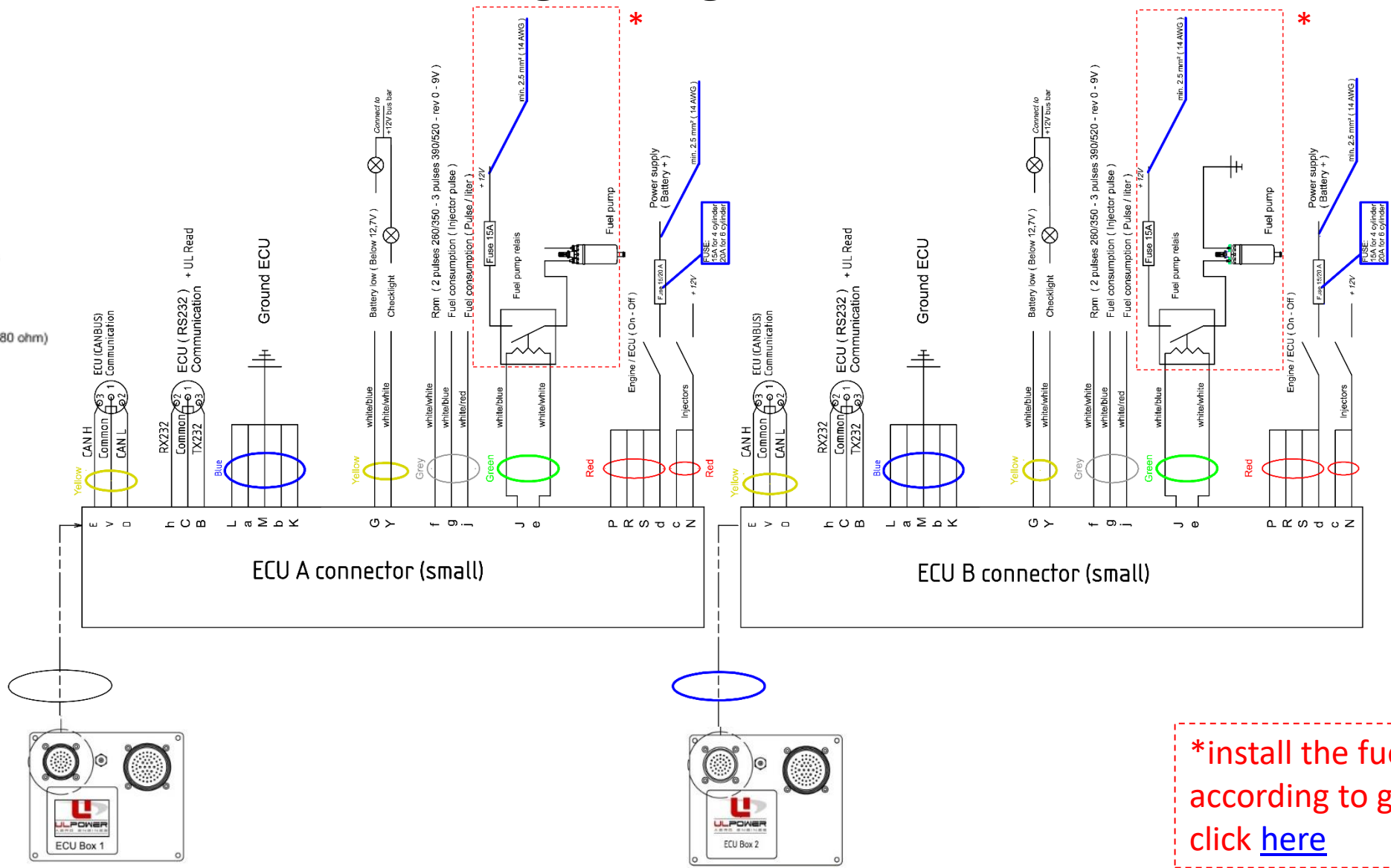


Dual ECU Wiring Diagram



= Shrink sleeve around the wires

= Led (Max 2 W / 680 ohm)

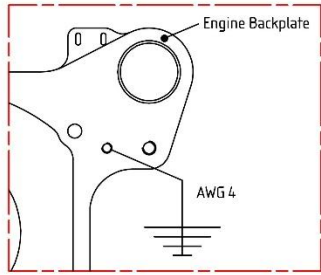
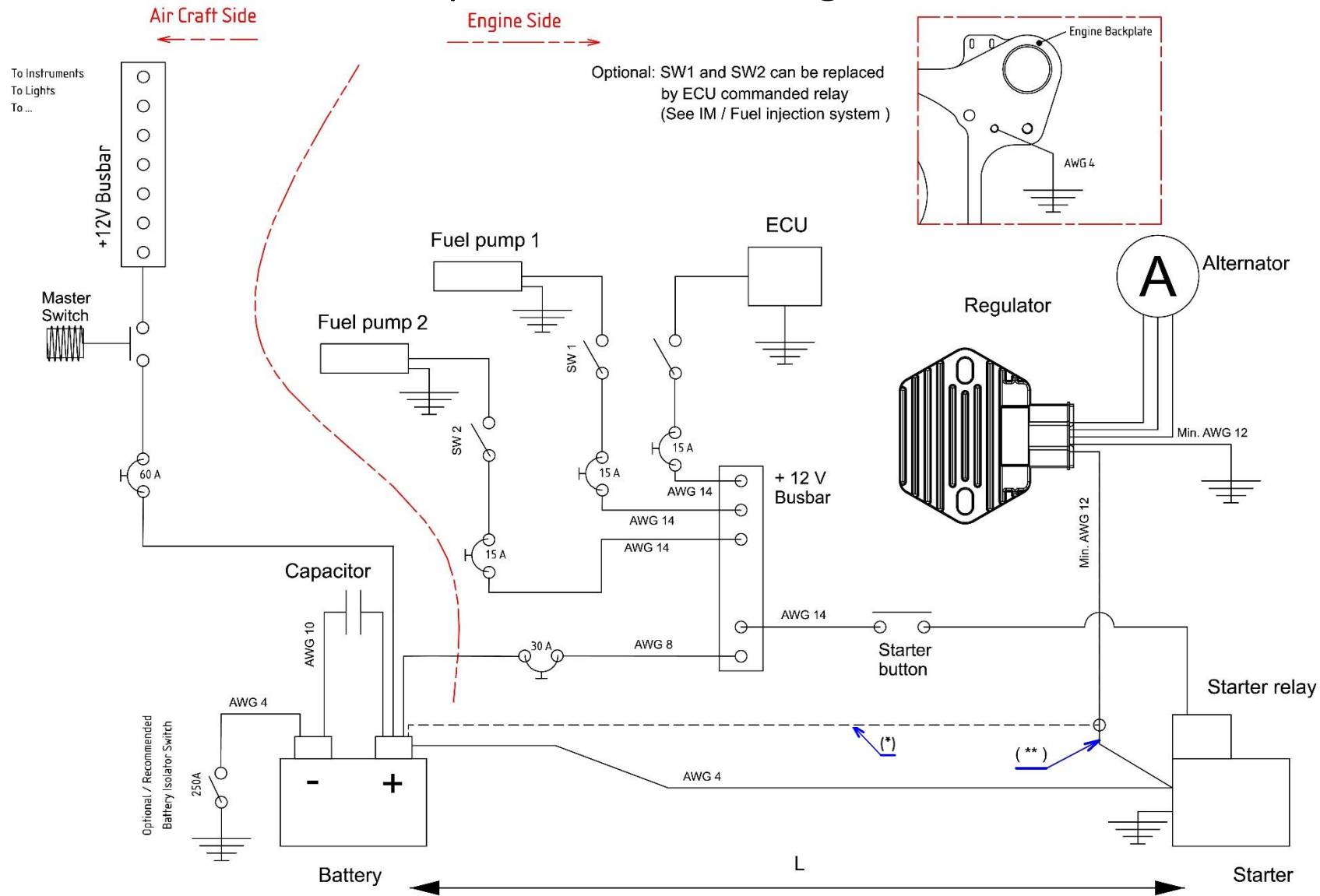


*install the fuel pumps according to good practice, click [here](#)





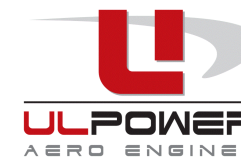
Electrical Overview: sample installation diagram for UL260/UL350



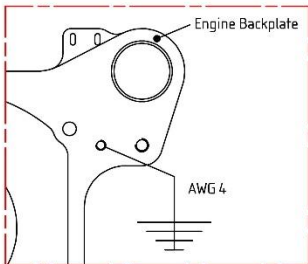
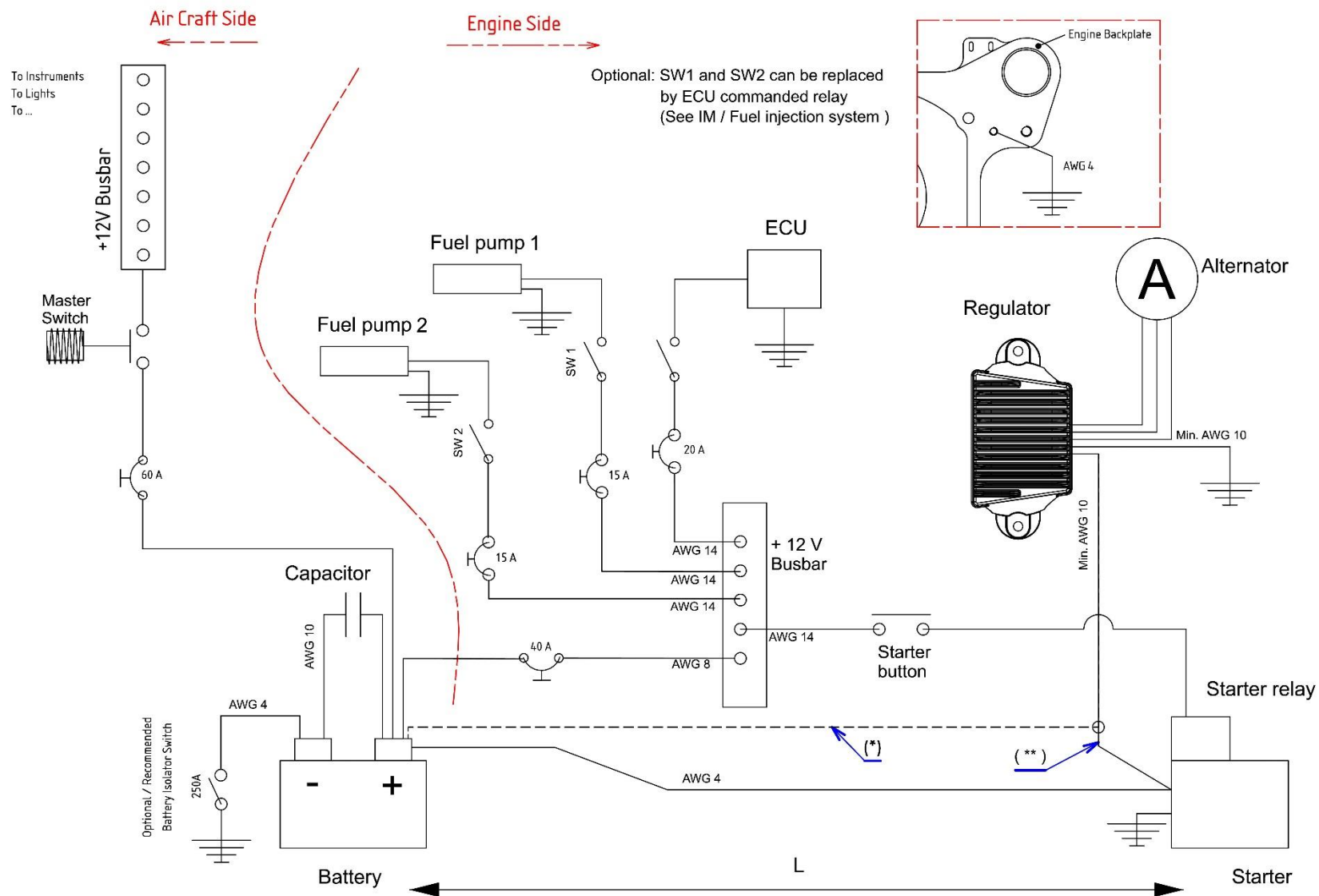
(*) : Engine close to battery (L < 1 meter)
Connect regulator + output directly to battery

(**) : Engine far away from battery (for example battery in the back of the plane (L > 1 meter))
Connect regulator "+" output to the starter





Electrical Overview: sample installation diagram for UL390/UL520



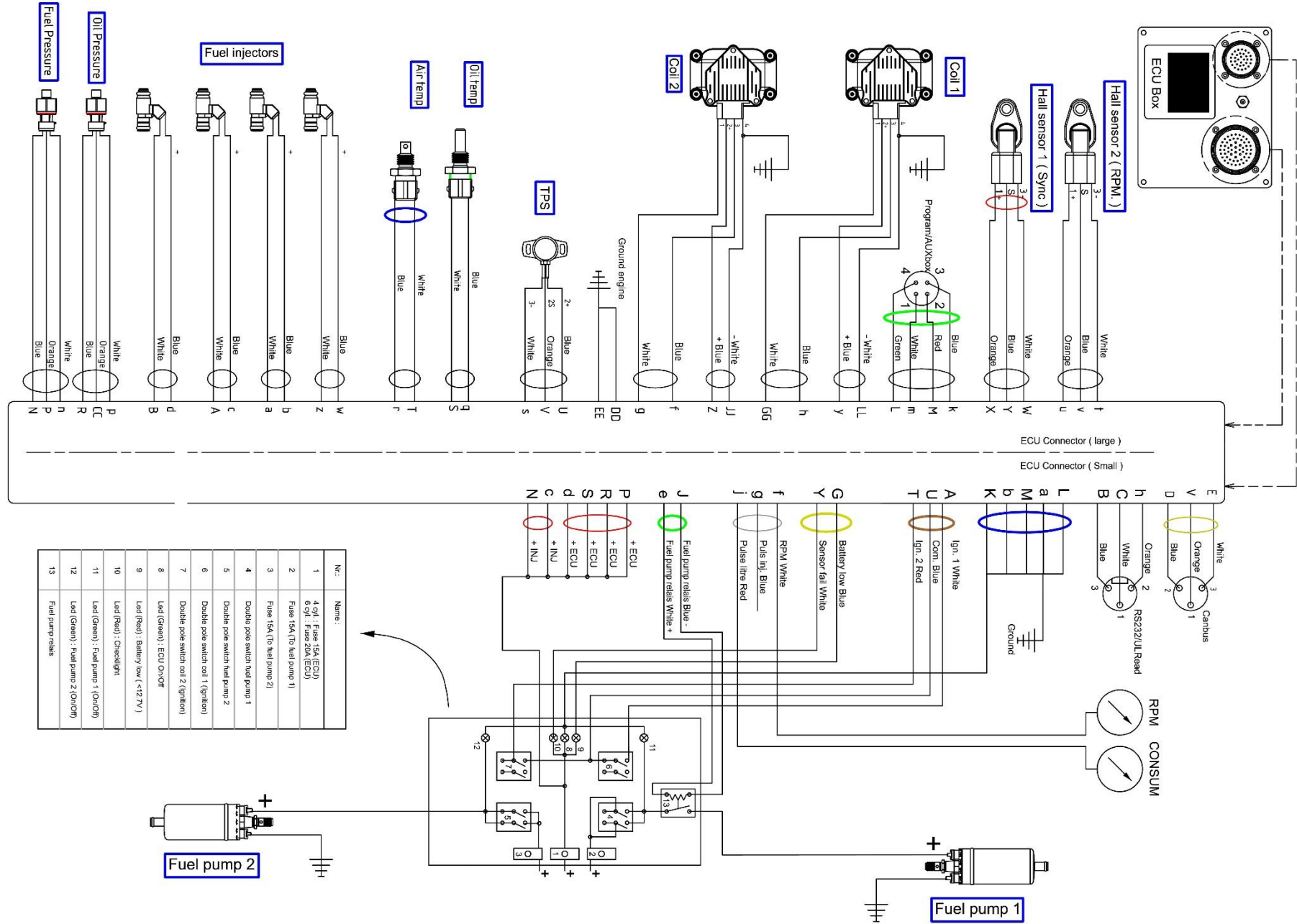
(*) : Engine close to battery (L < 1 meter)
Connect regulator + output directly to battery

(**) : Engine far away from battery (for example battery in the back of the plane (L > 1 meter))
Connect regulator "+" output to the starter



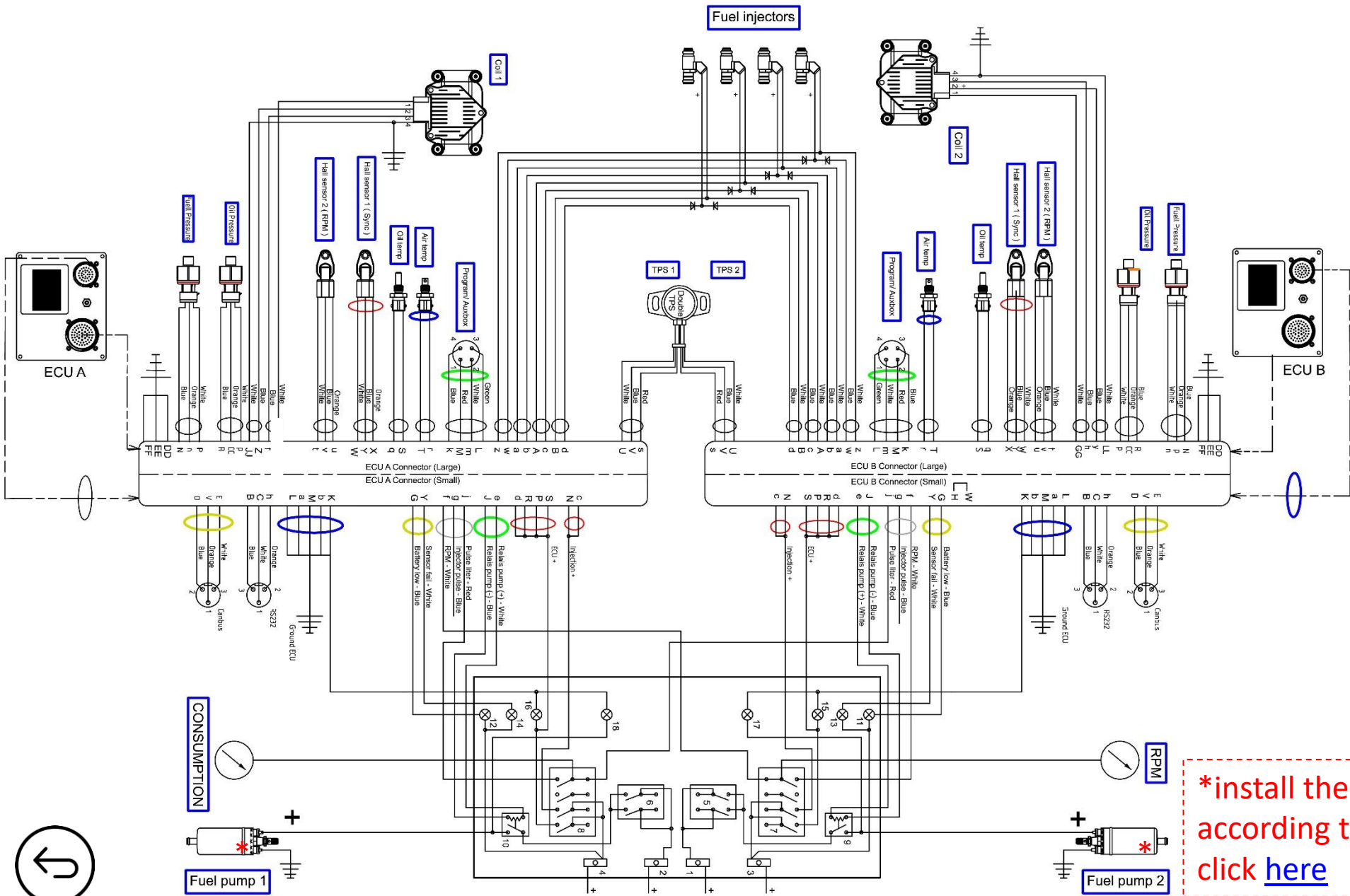


Electrical Overview: sample installation diagram single ECU (4cyl)





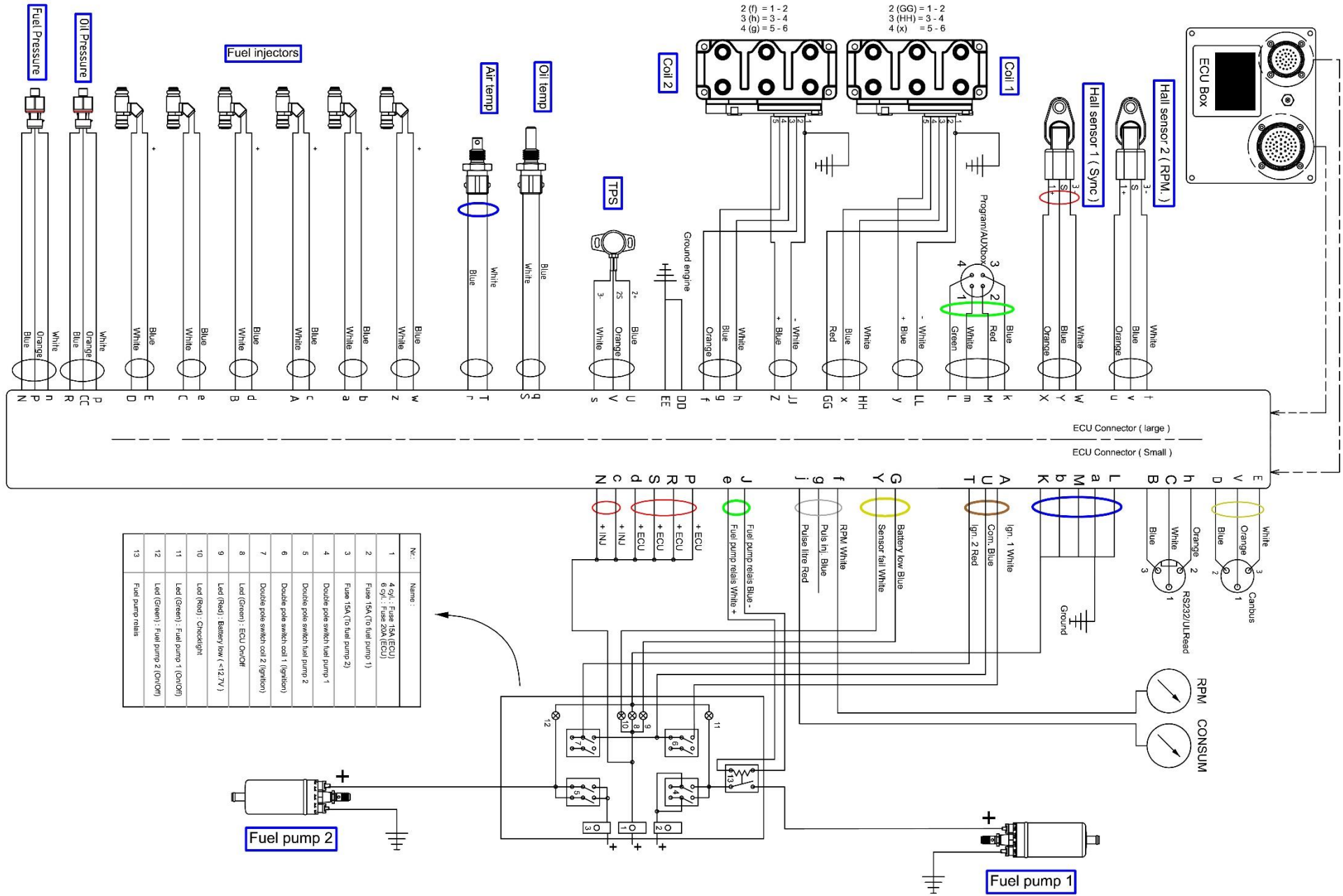
Electrical Overview: sample installation diagram dual ECU (4cyl)



*install the fuel pumps according to good practice, click [here](#)



Electrical Overview: sample installation diagram single ECU (6cyl)

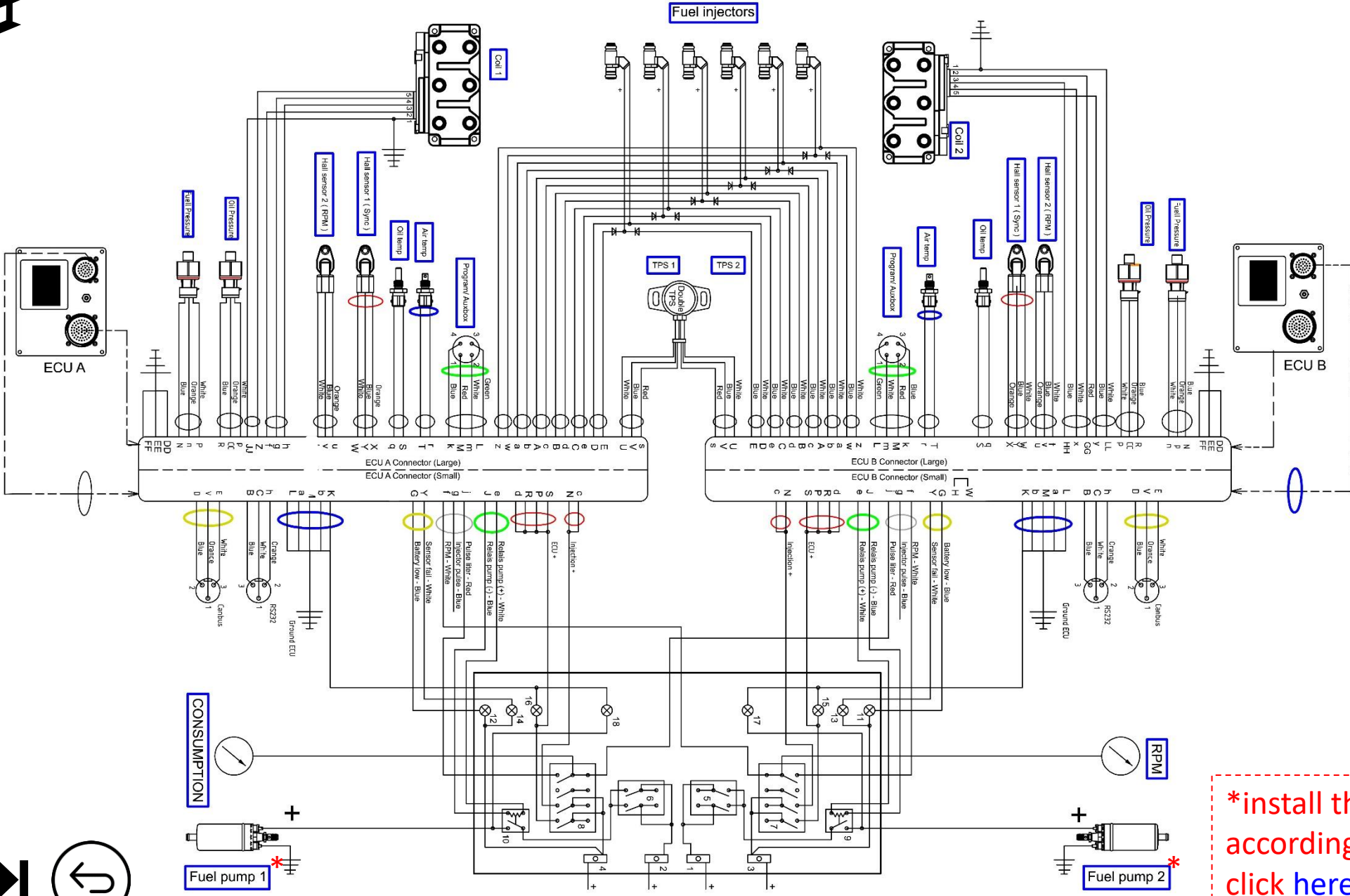
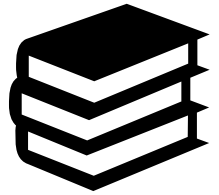


Nr.:	Name:
1	4x1: Fuse 15A (ECU) 6x1: Fuse 20A (ECU)
2	Fuse 15A (To fuel pump 1)
3	Fuse 15A (To fuel pump 2)
4	Double pole switch fuel pump 1
5	Double pole switch fuel pump 2
6	Double pole switch coil 1 (Ignition)
7	Double pole switch coil 2 (Ignition)
8	Load (Green) : ECU ON/OFF
9	Load (Red) : Battery low (<12.7V)
10	Load (Red) : Checklight
11	Load (Green) : Fuel pump 1 (ON/OFF)
12	Load (Green) : Fuel pump 2 (ON/OFF)
13	Fuel pump relays





Electrical Overview: sample installation diagram dual ECU (6cyl)



*install the fuel pumps according to good practice, click [here](#)

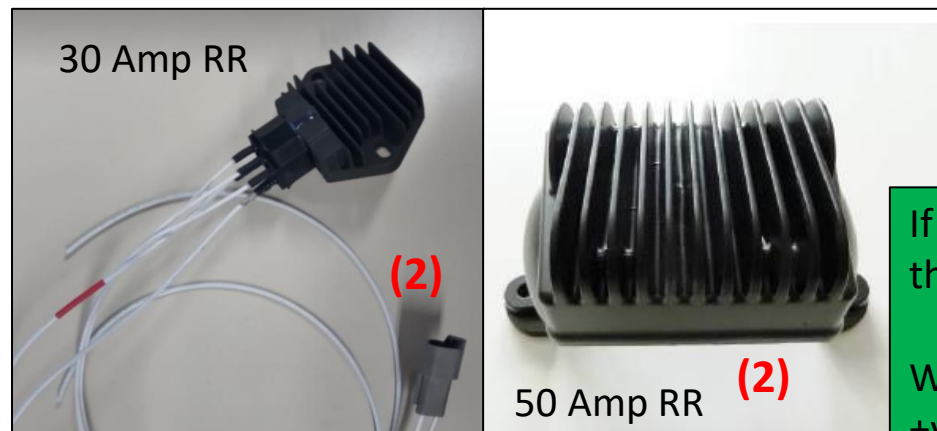
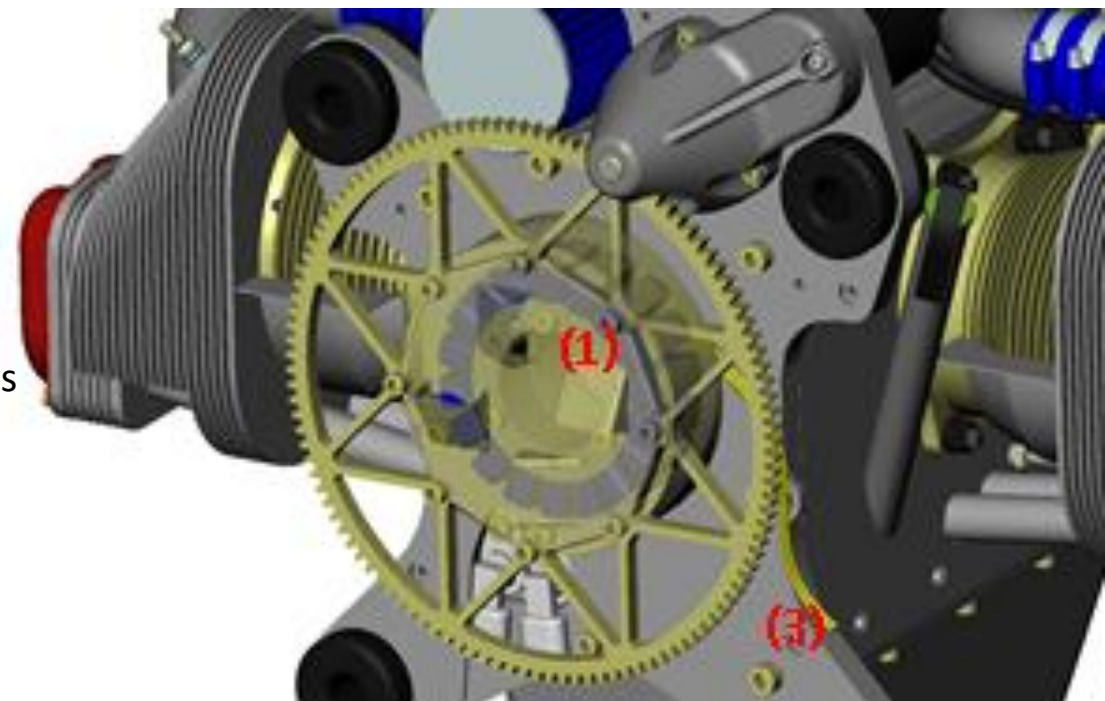




Regulator...

Install the Rectifier Regulator (RR) :

- Away from vibrations and heat with heat transfer paste where applicable
- Ensure cooling air is vented over the fins (30A RR with additional cooling box)
- Connect the three wires from the alternator (1)/(3) to the RR (2)
- Connect the two wires from the RR to the power supply (+ve/-ve)
- Cross check all connections are well made and connectors clear of heat sources
- Secure wires to prevent vibration
- Only use the RR relevant to the alternator Amp output on your engine



If the engine is CLOSE to the battery (i.e. less than 1m of cable) connect the +ve output from the RR to the battery / +ve bus.

Where the engine is further away from the battery (i.e. more than 1m of cable) connect the +ve to the +ve on the starter (to share the higher gauge wire for battery charging.)

Do not start your engine when the regulator is disconnected from the battery as this will destroy the regulator. We recommend the installation of a 68000 μ F capacitor (ULP n° E053010) in parallel to the battery to ensure power to the +12V bus in case of open contact in the battery. The capacitor will provide additional protection to the ECU and other circuits in the event of a battery or rectifier regulator failure.





Regulator...

Install the Rectifier regulator (RR) :

- Away from **VIBRATIONS** (the firewall is probably the 'least vibration' zone) using appropriate hardware (nuts/washers and bolts).
- Away from **HEAT** (the firewall is often the furthest point from heat)
- The 30 amp RR comes with a regulator cooling box. Install the regulator in the cooling box. Use heat transfer paste/or a pad behind the RR (shiny surface) to assist in heat transfer where possible, Connect a 1 inch hose and supply fresh air (If the firewall is not metal you may choose to mount it on a small metal plate to assist with heat dissipation)
- It is highly recommended to provide cooling air vented over the fins of the 50A RR (this can be bled off the baffles/plenums).
- Where possible, mount so that the connector is horizontal or 'at the bottom' to avoid moisture entering the connector
- Make sure that the connectors are properly inserted and connected AND routed away from sources of heat and mechanical damage.
- 3 wires come from the alternator and 2 wires go to the aircraft power system (battery). The positive wire (+ve) has a RED heat shrink on it
- Connect directly with the battery. Do not install a diode in between the regulator and battery
- When making up connections ENSURE all connections are secure to reduce electrical resistance and heat at the connection.
- Secure all wires to prevent vibration, ensuring sufficient slack to allow for normal engine movement.

50Amp RR



30Amp RR cooling box



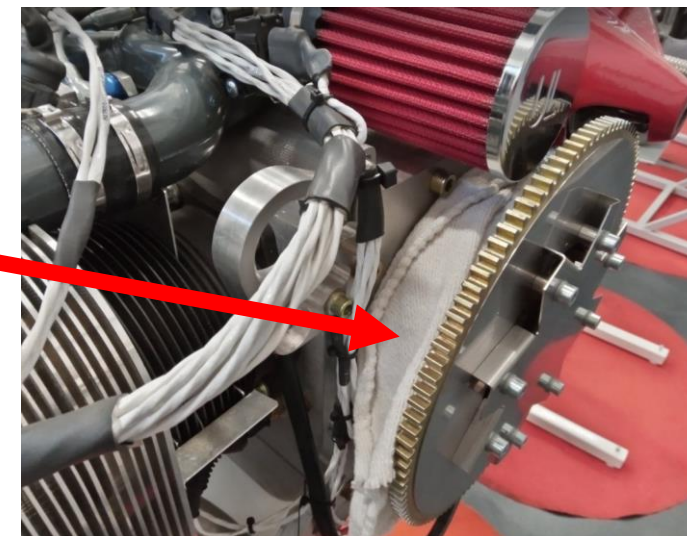


Regulator...

Due to the strong magnets, ENSURE that no magnetic items (e.g. bolts, washers, nuts, ...) are inadvertently dropped and 'stuck' to the magnetic areas (alternator rotor).

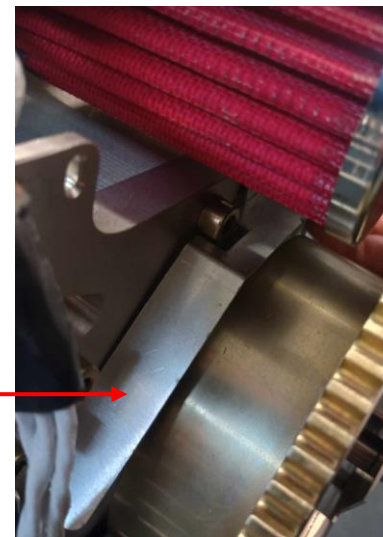
This can irreversibly damage the alternator (rotor and/or stator) when running the engine/turning the crankshaft.

TIP : cover the alternator during the entire installation (e.g. with a clean rag).



Engines built in 2026 and later have an alternator protection plate.

This plate reduces the risk of magnetic items ending up on the alternator magnets :



Regulator – installation 30Amp



Installing the 30amp Regulator: ULPower engines are supplied with a prewired connector that is preinstalled in the 30Amp rectifier/regulator.

1. Two wires go to the aircraft power system (battery). The positive (+) wire has a RED heat shrink on it.
2. Connect the 3-pin connector* (female) to the 3-pin connector* of the stator wiring (male). Just push the 2 connectors together. This standard cable loom length is 1.1 meter/43.3 inches. **SEE SB-ULP-2026-001**

Cooling:

It is important to cool the 30A regulator sufficiently, which is why the regulator is supplied with a regulator cooling box.

Provide cooling air (1" hose) to the cooler box (this can be bled off the baffles/plenums: the set contains an extra 1" flange, see complete set in the picture below).

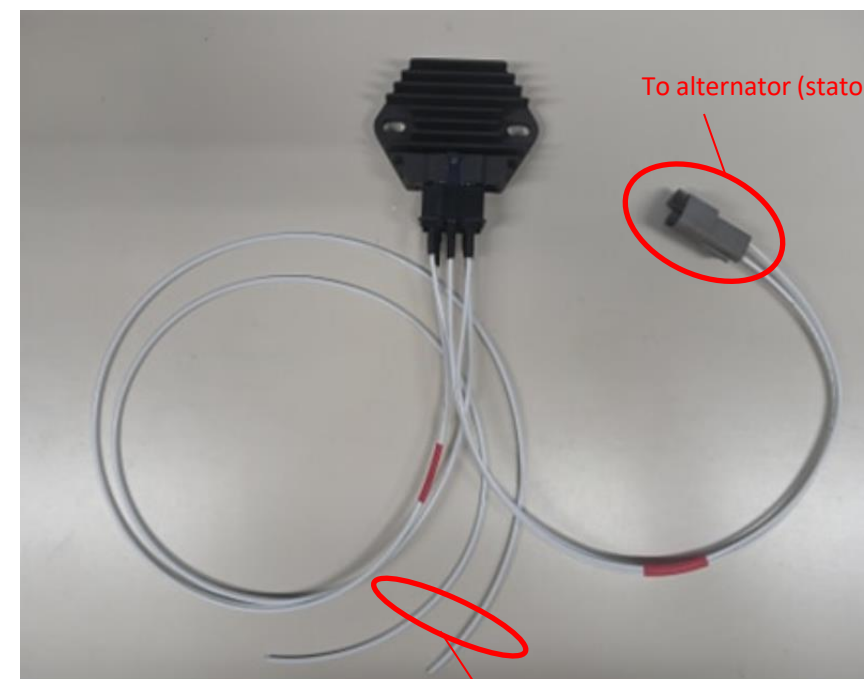
30Amp RR uses 12AWG wire, respect the wire sections if extending wiring.



READ MORE @  **ULPOWER NEWS**



Wiring regulator



To aircraft power system

*Latest connector (2026) is 4-pin, however 1 pin (pin 4) is not used





Regulator – installation 50Amp

Installing the 50amp Regulator: The alternator output wires from the engine are pre-wired with a 3-pin connector for the rear of the 50Amp RR. The stabilised DC supply wires are pre-wired with a 2-pin connector for the rear of the RR, and with two tails, one with a red heat shrink (+ve) and one without (-ve).

Pre connect the alternator and supply lines to the RR before mounting.

The 50Amp output is standard on the six-cylinder range of engines and optional on the 4 cylinder range. NOTE: In the event of 'insufficient current draw' RRs tend to heat up. However, **this RR is a MOSFET type**, and will switch off charging in the event of a full battery and insufficient amperage draw to ensure temperature regulation, and return to providing current as soon as required by the aircraft electrical supply.

Cooling:

It is highly recommended to provide cooling air vented over the fins of the 50A RR (this can be bled off the baffles/plenums).



READ MORE @  **ULPOWER NEWS**

The 50Amp RR uses 10AWG wire – respect the wire sections if extending wiring.

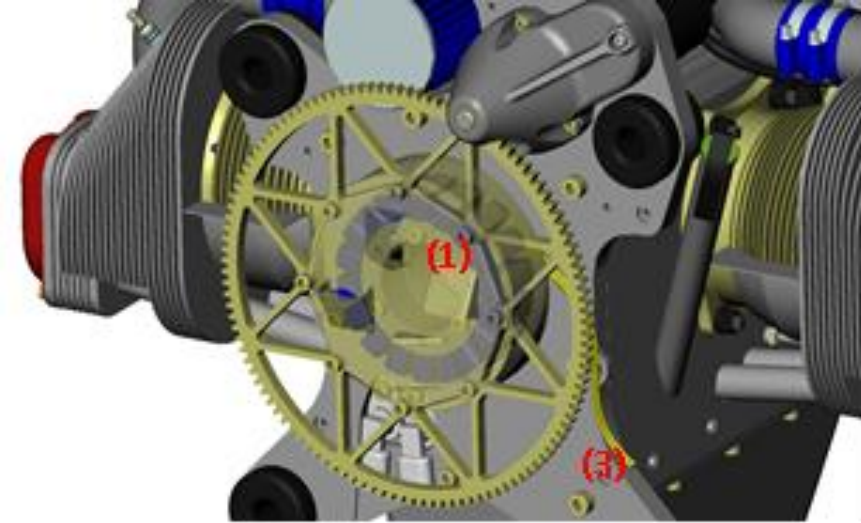
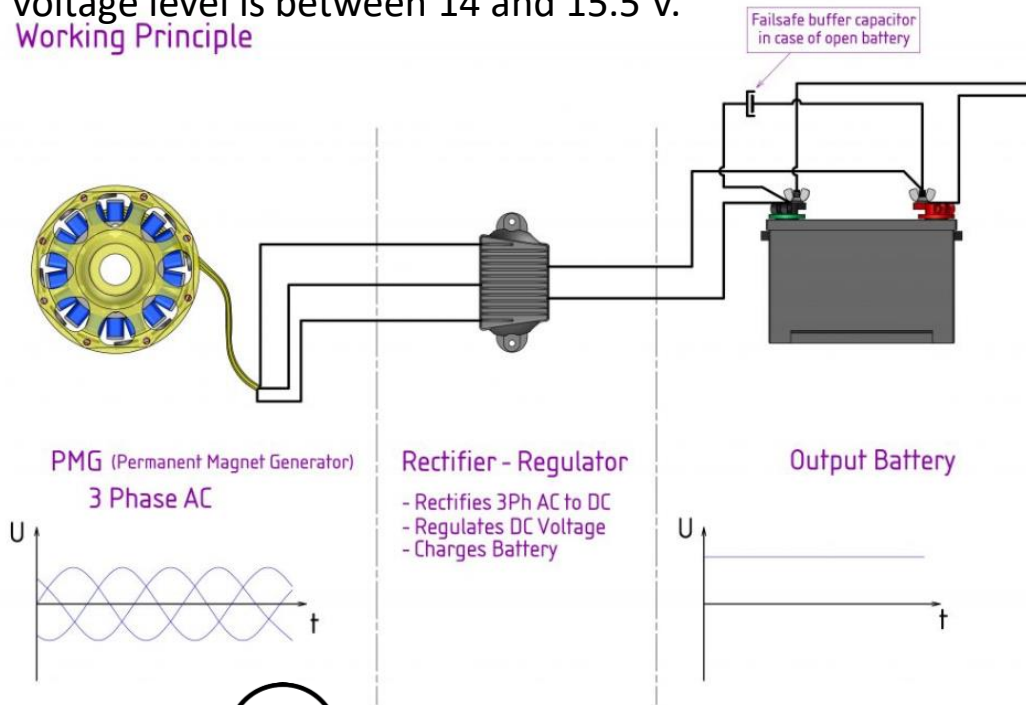


Regulator...

ULPower Engines are equipped with a permanent magnet 3-phase alternator (1) integrated at the back of the engine.

The regulator/rectifier (RR) converts the 3phase AC output into an unstable DC between 12 and 15.5 V. The battery buffers this unstable DC output and converts it into a stable DC output. It is very important to never disconnect the regulator from the battery when the engine is running. Doing so would destroy the regulator. When the maximum voltage is reached, the rectifier/regulator will stop feeding DC output into the battery. Depending on the type of battery, the rectifier will shut down the DC output to the battery when the voltage level is between 14 and 15.5 V.

Working Principle



The ECU needs a stable DC output. If the battery fails, or there is an open contact inside, the buffering characteristics from the battery fail also. Such a situation may result in an unstable power supply to the ECU. **Therefore, we strongly recommend the installation of a genuine ULP capacitor** (this capacitor is able to cover for the big amount of amps coming from the alternator/regulator) parallel on the battery.

Likewise, a failure of the RR may result in an erratic power output, which is buffered by the battery and capacitor.

Due to the strong magnets, ENSURE that no magnetic items are inadvertently dropped and 'stuck' to the magnetic areas.

Old 'black' ECU or reverse rotation engine? Contact ULPower! Different connections !



Ignition coils

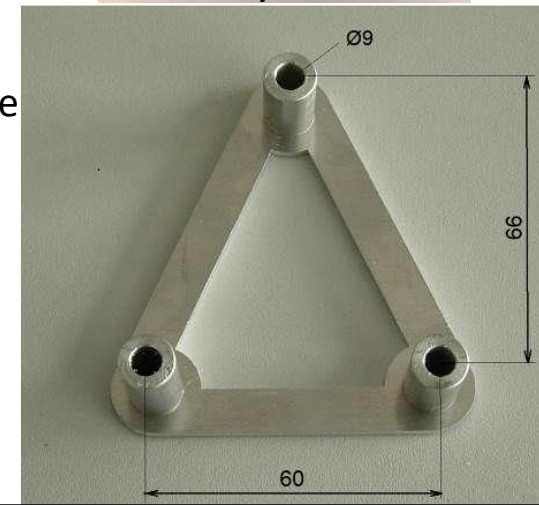
- Install the coils on the firewall or engine mount. (avoid vibrations and heat). Minimum distance between the 2 coils is 50mm / 2 inch
- Keep coils and ignition cables well away from the ECU to avoid electrical interference. (Minimum distance 100mm/4in).
- For UL260 / 350 engines: use the provided mounting brackets to install the coils. Do not over-torque the bolts (8Nm)
- Connect the wiring loom coil sockets to either of the 2 coils and ensure that the earthing lug from each wiring loom is connected to a nearby earthing point.
- Make up the HT (High Tension) ignition cables and install through the baffle cable grommets.
- The HT cable for cylinder 3 or 4 can go to either output on the 3-4 side, and the HT cable for cylinder 1 or 2 can go to either output on the 1-2 side of the coil (and 5 or 6 to either side of the 5-6 side)



6-Cylinder



4-Cylinder



Make sure that each cylinder has one spark plug connected to each coil (two spark plugs per cylinder). When preparing for first run, run on ONE coil only at a time and check for smooth running before running on both ignition coils.





Ignition Cables...

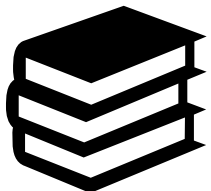
To enable the ignition coils to be placed in the optimum position for each installation, ULPower provides a coil of HT cable and terminations. You must always use the ULPower HT cable and connectors as together they are matched to the electrical system.

Cut each HT cable to the required length and fit the ignition coil connector using the method shown on the ULPower news blog site

READ MORE @  **ULPOWER NEWS**

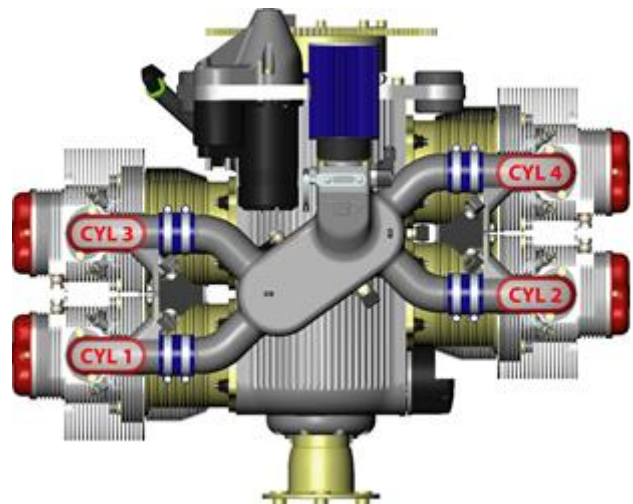
- The provided copper clamps are used on one end of each lead and screw into the ignition coil cover. Strip only a few millimetres of the outer plastic of the ignition lead to unveil the inner core. It is advisable to solder the copper clamp onto the lead for good contact. The ignition lead is held and guided behind the point of soldering so no bending and as a result cracking should occur on the soldering.
- Push in the lead with the clamp all the way into the ignition coil cover and then **screw** on the cover with a couple of turns. Make sure the lead is fixed tightly and it cannot be pulled out by a small force.
- The ignition coil cover clicks onto the ignition coil. Make sure you get the correct leads going to the correct spark plugs.
- Cut the lead to the required length. Do not strip the plastic, but **screw** the spark plug cover into it. Do not forget to first slide the rubber sealing over the lead before attaching it to the spark plug cover (a little silicone spray may help). When attached pull back the rubber to cover the joint and make it moisture proof.
- Slide the bottom rubber over the spark plug cap and click the cap onto the corresponding spark plug.
- Give the cables a gentle tug to ensure that they are secure.





Ignition Cables...

Because ULPower engines use a 'Lost Spark' ignition system, a well proven system, firing at the top of each 'upward stroke' it is possible to switch certain positions. Therefore cylinders 1 and 2 fire at the same time, as do 3 and 4 and 5 and 6.

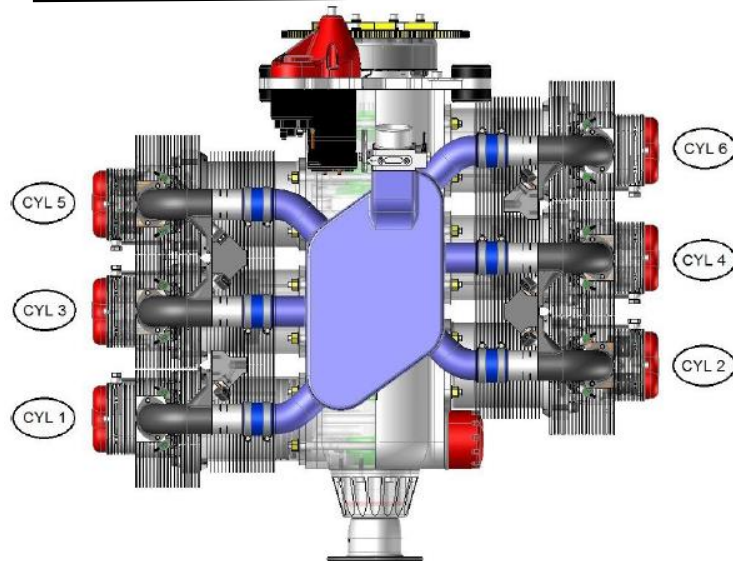


Firing Order: 1 – 3 – 2 – 4

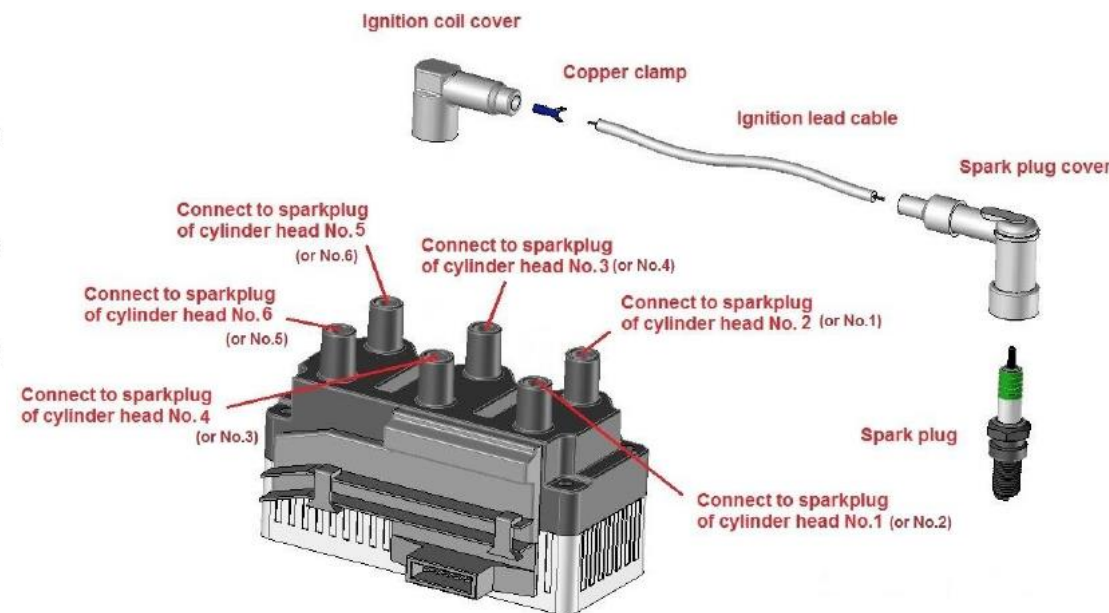


Both the 4- and 6- cylinder engines have their cylinders numbered from prop shaft to starter ring as shown.

Even numbered cylinders on one side and odd numbered cylinders on the other side.

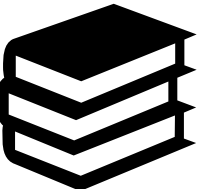


Firing Order: 1 – 4 – 5 – 2 – 3 – 6



Battery and Capacitor

See [AMC-20.3:13](#) for ASTM compliant engines



Your choice of battery is important for both starting the engine and ensuring sufficient flight time in the event of an alternator failure. The ECU requires a stable electrical supply for correct operation, and the installation of a battery and capacitor are an integral part of your electrical system. The starter will draw approximately 140Amps on start-up. To ensure easy starting the battery must have a suitable Cold Cranking Amp (CCA) capacity and the cable section between the battery and the engine must be at least 4AWG (25mm²) with high quality, well crimped connectors at each end. Cable lengths should be kept to a minimum. The battery must have sufficient Amp Hour (Ah) capacity to provide at least 30 minutes operation in the event of an alternator failure. The Capacitor, installed in parallel to the battery, should have at least 10AWG wire between the battery and itself and be located close to the battery. Use terminal insulation boots i.a.w. good practice.

Recommended Minimum battery requirements

Lead/Acid: 12V, 160 CCA¹, 18Ah² (single ECU) 24Ah³ (Double ECU)

LiFePo : 12V, 320 CCA¹, 16 Ah² (single ECU) 20Ah³ (Double ECU) WITH a Battery Management System (BMS)



Recommended Capacitor

63V 68 000 μF (ULP part n° E053010)



Screws included
(M5 or M6)

NEVER use a “booster” (quick battery charger) to start the engine.

¹CCA is the ability to turn the starter. Ah is the amount of power stored. Lead Acid Batteries often require less CCA and more Ah than LiFePo batteries for the same in field performance due to the differences in behaviour of the two systems. LiFePo batteries MUST have a battery management system to protect the battery from overheating, over-discharge, etc.

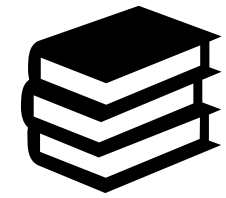
²Single ECU WOT = 11.5 A/h consumption (Fuel pumps + ECU + ignition system)

³Double ECU WOT = 16 A/h consumption (Fuel pumps + 2 x (ECU + Ignition system))

Use Peukert's law to determine discharge current battery



Battery and Capacitor

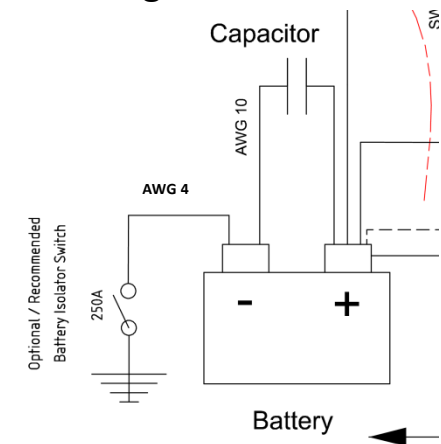


The 63V 68 000 Micro Farad capacitor is installed in parallel to the battery. The ULP capacitor (ULP part n° E053010) should be installed directly across the battery terminals. Once charged it will not drain the battery even if left connected permanently.

The battery and capacitor work together to smooth power output from the engine to ensure a stable and smooth power supply to the ECU and the airframe electrical systems. In the event of a battery failure, the capacitor ensures that the regulator continues to provide a stable power output to the ECU/aircraft and also provides a level of protection from voltage spikes that may occur in the event of a rectifier/regulator failure.

Multiple Batteries: You may choose to install a higher Ah battery or more than one battery in parallel or independent circuits to ensure a longer engine run time in the event of an alternator failure or as a back up in the event of a battery failure. Such designs are outside the scope of this manual and are at the discretion of the builder/OEM. Always ensure that your electrical system is fully tested and ensures continuous, stable 12V power to the ECU, and that all installations are i.a.w. good practice and are acceptable under your local regulations.

READ MORE @  **ULPOWER NEWS**



CAUTION: The capacitor may hold up to a 14 volt charge and should not be shorted at any time.





Fuel System



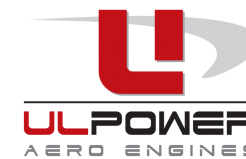
Key points to remember with your Fuel System

- Use high-quality fuel lines and connectors designed for your fuel choice and suitable for aircraft installation.
- Fuel lines and connections must be suitable, with appropriate safety margins, for at least a constant 3bar fuel system with min. 120 litre/hour fuel flow rate.
- Fuel lines and connectors must be protected from excessive heat (e.g. exhaust) and mechanical damage.
- Fuel lines must be fire proof.
- We recommend to install fuel pumps FWF shielded from heat and mechanical damage.
- Fuel **must** return to the tank from which it is drawn (you may use a duplex fuel selector or header tank if required).
- Return line must have a non-return valve (where possible behind the firewall).
- NEVER close the return line (this releases pressure from the system after shutdown and must remain open)
- Make sure no air can enter the fuel system !
- If using a gascolator, use one with a screw lock.
- Certain flying manoeuvres may create unporting of the main tanks.
Consider using a header tank to vent the fuel system.
- Use the correct fuel filters. Using the wrong filters can lead to engine failure!

If using a duplex fuel selector, be aware that it may close both the supply and the return lines when in the 'OFF' position. **If so, DO NOT SWITCH TO THE OFF POSITION unless for maintenance or in the event of an emergency.** Failure to comply may result in over-pressure in the fuel system and possible damage to fuel pumps and other components of your fuel system. Such fuel selectors must be placarded accordingly. For example: "DO NOT SELECT OFF UNLESS EMERGENCY OR FOR MAINTENANCE".



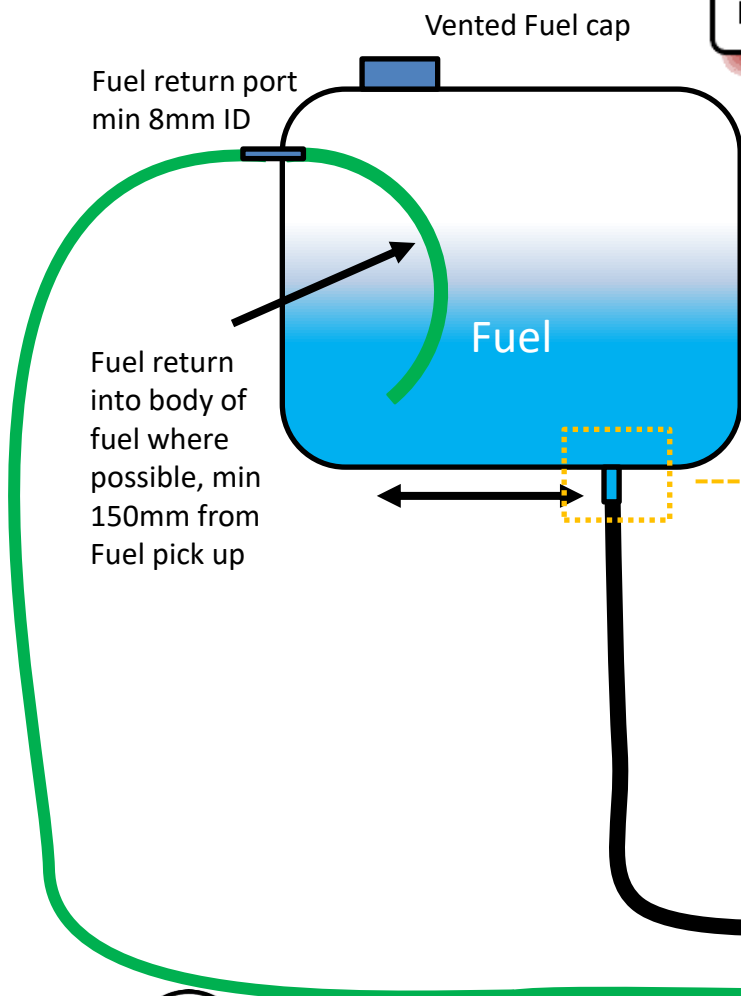
Standard installation practice, as may be applicable, is covered in FAA Maintenance Technician Handbook ([FAA-H-8083-30](#)).



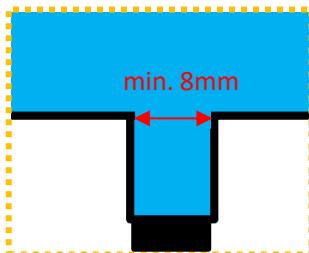
Fuel System

Overview (based on a single tank system):-

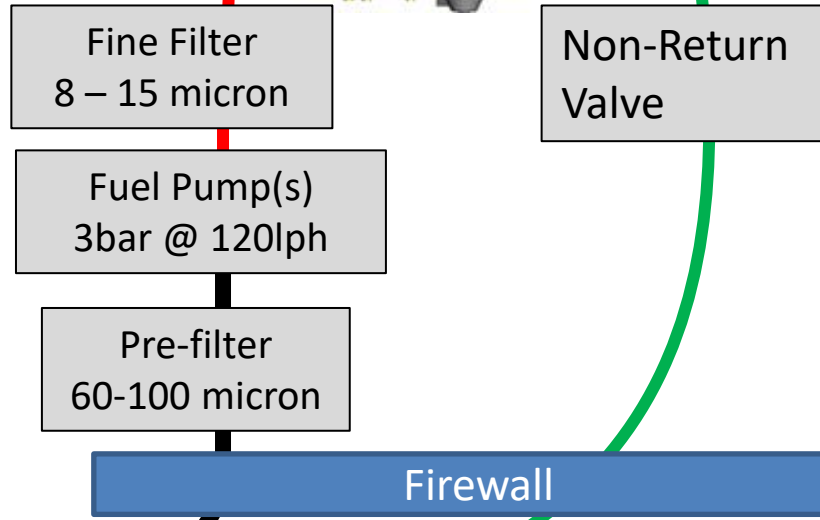
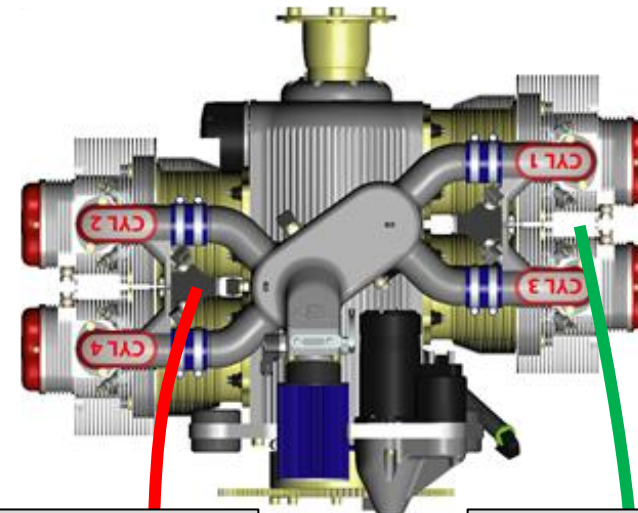
READ MORE @ **ULPOWER NEWS**



Fuel pickup
 Min AN-6 fittings/ 8mm ID lines
 Preferable ID 12 mm



Click on the sub parts of the system for more info



Min 10mm ID fuel suction line/couplings
Preferable 12mm ID

JIC-/AN-6 fittings/ 8 mm ID fuel line with working pressure of 3bar @ 120l/hr

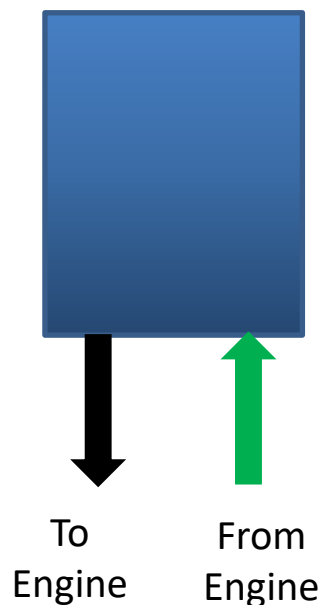
JIC-/AN-6 fittings/fuel return line

Example Fuel System options

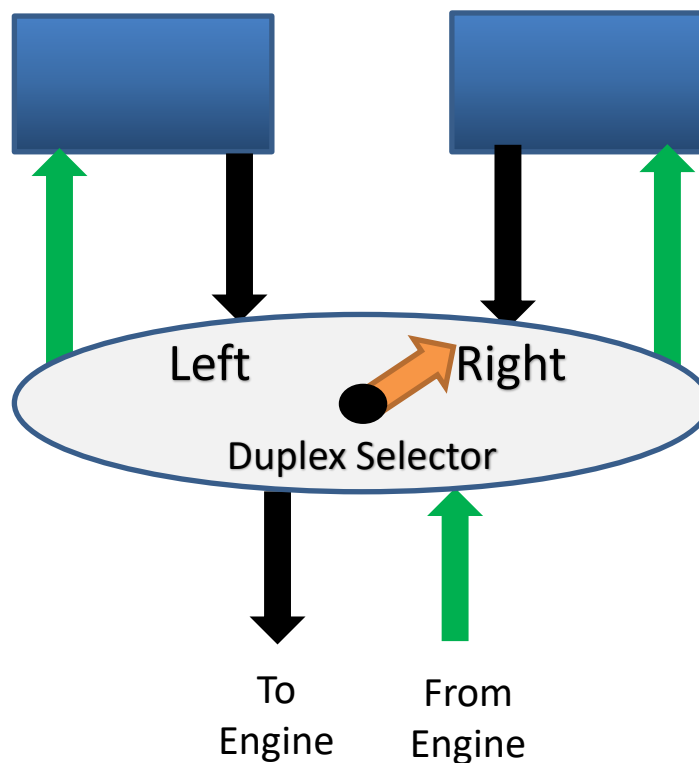


A robust fuel system is essential for continuous operation of your engine. Ensure that air cannot enter the fuel system by failure to change tanks before running out of fuel or unporting fuel tank pickups during manoeuvres. Air entering the fuel system may result in engine stoppage.

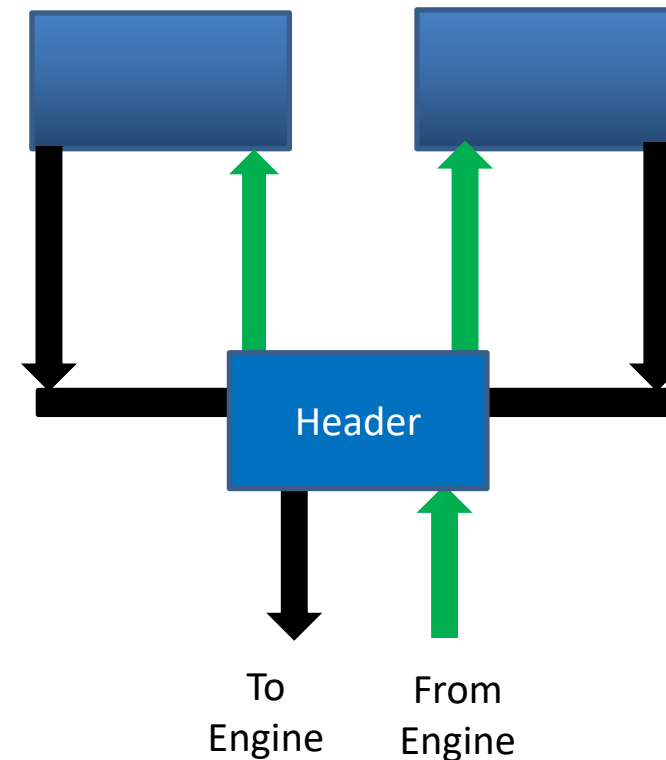
Single Tank



Dual Tanks – with duplex selector feed tank = return tank



Dual (multiple) Tanks – with header Multiple feeds into header tank Header breathing line(s) to tank(s)



With 120 litres per hour of fuel flow there will be a large volume of fuel returning to the tank from which fuel is drawn.

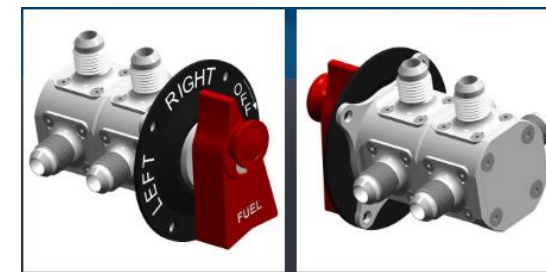


Fuel System



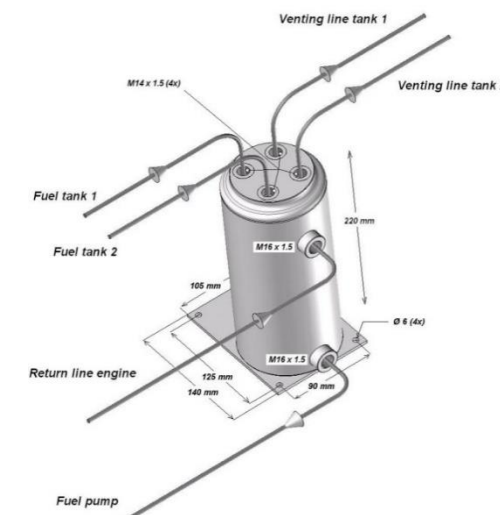
If using dual tanks, try to ensure the following:

1. Duplex fuel selector MUST not completely shut off the return line when in the 'OFF' position, failing this install a placard warning "DO NOT SELECT OFF UNLESS EMERGENCY OR FOR MAINTENANCE".
2. Fuel returns should avoid cascading fuel (i.e. return where possible into the body of fuel to avoid foaming and vapour in the fuel tanks)
3. Fuel returns must be at least 150mm from fuel pick ups to avoid picking up warm fuel and/or vapor lock



If using a header tank, as is often used on high wing aircraft, try to ensure the following:

1. Fuel return from engine to the header tank at least 150mm (6in) from the fuel pick up, directed away from the pickup, to avoid warm fuel being picked up by the feed to the engine.
2. Vent line(s) to the wing tanks should be at the top of the header tank
3. Fuel from wing tanks to the header tank should enter lower than the vent line(s) to avoid vapour entering the supply lines.
4. Sufficient volume of fuel in the header tank for the installation. (i.e. if using as a 'reserve tank' consider how many minutes of fuel it should contain.)
5. Consider a low fuel warning light system in the header tank as a safety feature



Fuel header tank available from ULPower! (part no. E066030)

Other installations, for example with low wing low dihedral or aerobatic aircraft, may benefit from clunk tubes, catch tanks or baffles in the wing tanks to reduce risk of unporting during manoeuvres.

It is the OEM/Builders responsibility to design and test a suitable fuel system before flight testing i.a.w. good practice and local regulations.

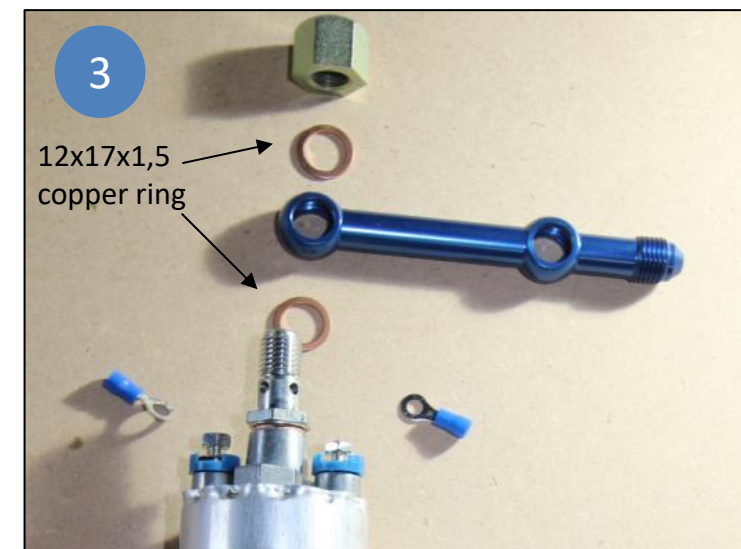
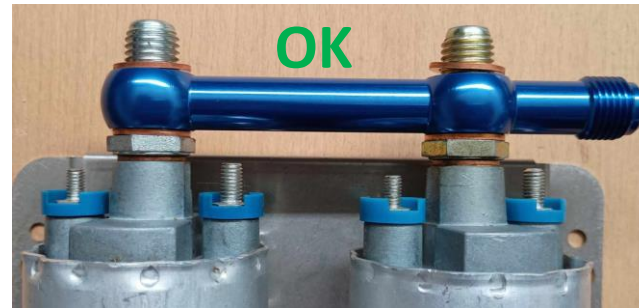
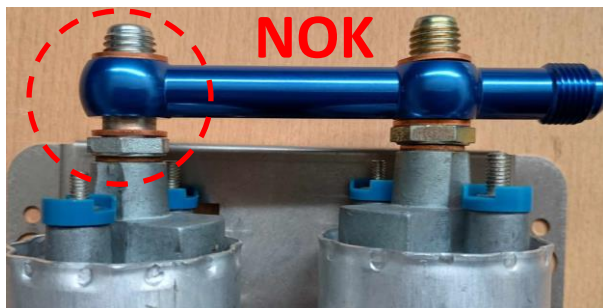
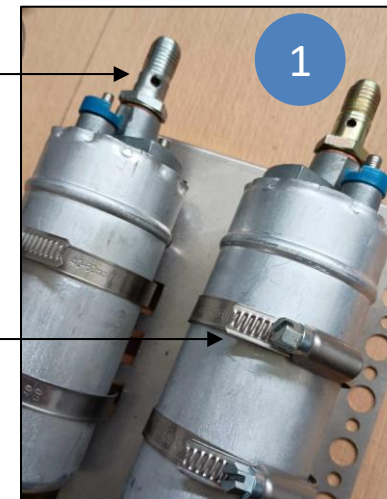


Installing the fuel pumps with the ULPower dual pump kit:



Fuel pumps and pre filters

1. Check if the non-return valves are tightened (and copper ring is installed between the pump and the non-return valve)
2. Fit the fuel pumps to the mounting bracket using the provided clamps. Do not fully tighten the clamps, so the pumps can still move up and down (see step 3)
3. Install the dual fuel pump ramp (it can face in either direction) on the output side of the pumps with copper washers and hex cap nut as shown (1). Make sure the pumps are aligned!



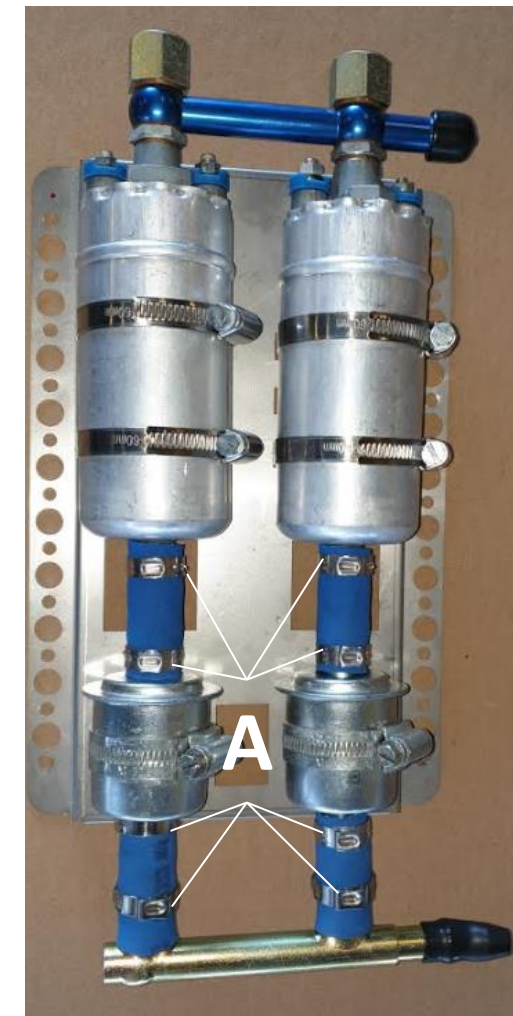


Installing the fuel pumps with the ULPower dual pump kit:



Fuel pumps and pre filters

4. When tightening the banjo bolts, hold the nipple of the top of the fuel pump with a 17mm spanner to prevent damage (2).
5. Cut two identical lengths (approx, 45mm) of the blue 12mm ID hose to fit between the pumps and the pre-filter.
6. Cut two identical lengths of the blue 12mm ID hose to fit between suction collector T joint and the pre-filters.
7. Check that the hose segments are clean prior to installation with the hose clamps (A)
8. Now fully tighten the clamps of the fuel pumps and filters
9. Bolt the fuel pump bracket to the airframe ready for plumbing to the fuel tanks and engine.
10. Crimp electrical connectors with 14AWG wire tails for the fuel pumps to suit your chosen [fuel pump electrical configuration](#)

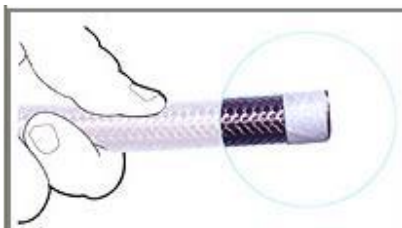

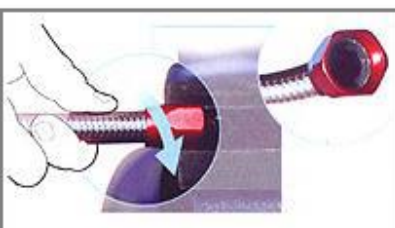
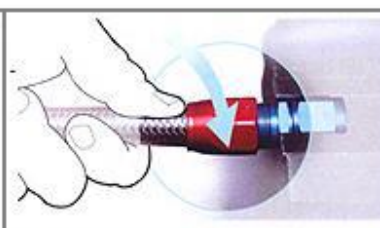
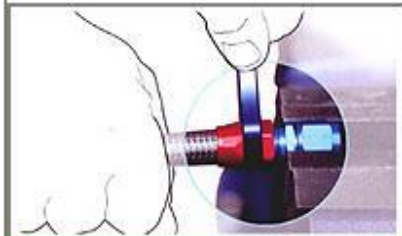
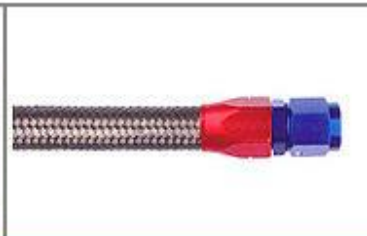




Installing the fuel pumps with the ULPower dual pump kit:

Connecting fuel lines

NB: In this description we are considering a SINGLE fuel tank installation, you will need to adapt to suit your particular requirements i.a.w. good practice and local regulations.

			
<p>Step 1</p> <p>Bind masking tape tightly around the hose at the required length and cut through using a fine-tooth saw blade or cut-off wheel, leaving tape on both ends so that it retains the braid. Clean any debris from both the cut ends and inside the hose.</p>	<p>Step 2</p> <p>On a clean flat surface, disassemble the fitting. This consists of 2 parts;</p> <p>Socket (Red) Main Fitting Body (Blue)</p>	<p>Step 3</p> <p>Hold the socket in a smooth jaw vice and feed one end of the hose into the socket by turning clockwise and pushing until the hose finishes just behind the socket threads.</p>	<p>Step 4</p> <p>Holding the main body in the vice, lubricate the thread and push the hose and socket over the nipple end and start to thread the socket onto the fitting by hand.</p>
			
<p>Step 5</p> <p>Finish tightening the socket onto the fitting using a good quality wrench until the socket is one full turn from the back of the fitting</p>	<p>Step 6</p> <p>Pressure test.</p>		

Make up fuel lines (for example using the reusable fuel line connectors from your ULPower supplier) to run from your fuel tank to the suction collector T joint at the entry to the fuel pump assembly.

Make up a fuel line from double fuel pump ramp to the fine filter.

Make up a fuel line to fit from the fine filter to the engine fuel inlet – BUT do not connect before flushing the system and carrying out a fuel flow check.

Make up fuel lines from the engine return line to your fuel tank.

Before installation clean the fuel hoses to ensure no metal, rubber or other particles are inside before connection. It is also recommended to run the fuel pump **before** you connect the fuel line to the engine both to confirm fuel low levels **and** to flush out any debris that may be in the lines – preventing it entering the fuel rail.



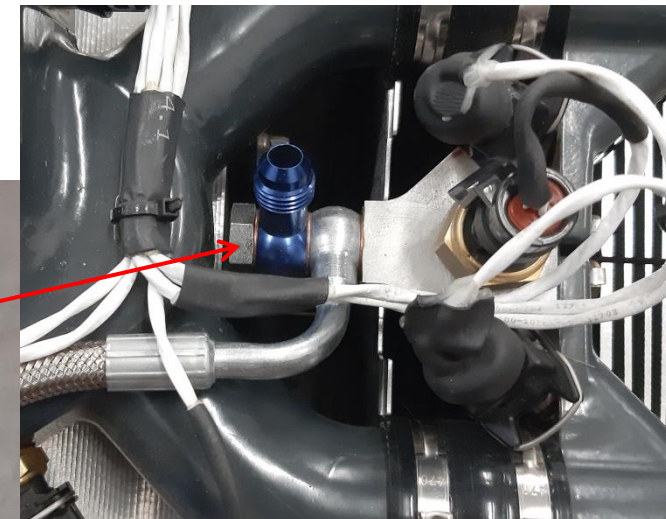
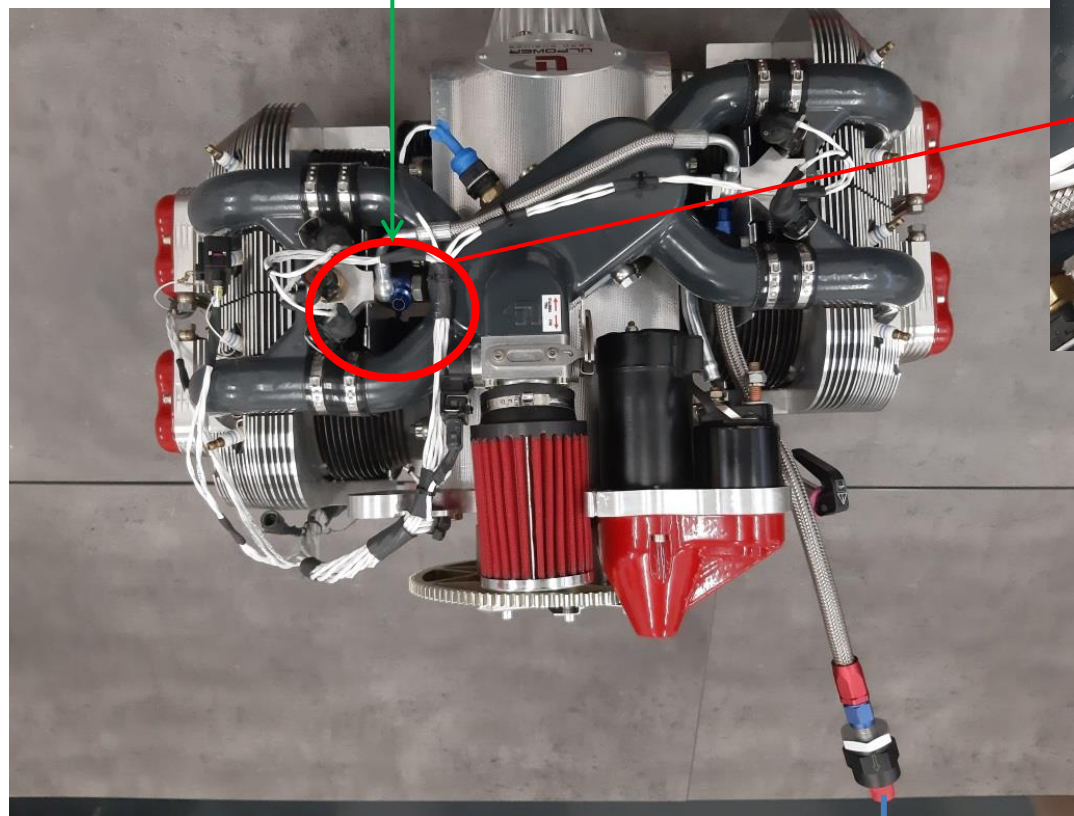


Installing the fuel pumps with the ULPower dual pump kit:

Connect the braided hose from the fuel fine filter to the engine

OUT : M12 x 1.5

IN : M14 x 1.5



Connect the braided fuel line from the non return valve to the fuel tank



Fuel rail

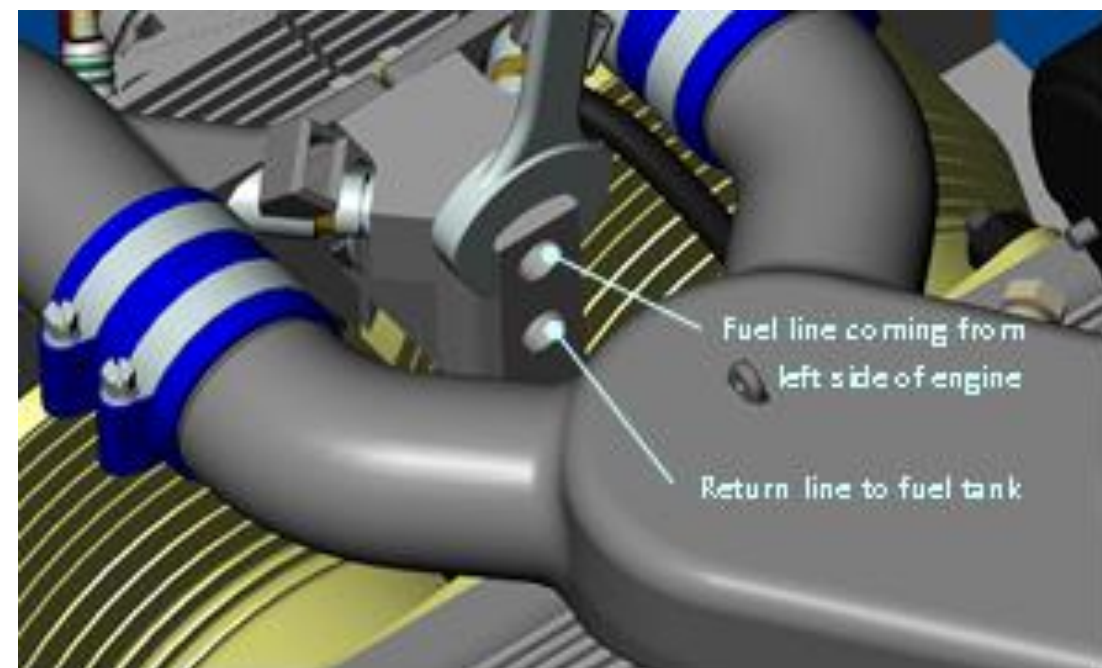


Engines leave the factory with the fuel rail installed on the engine. During maintenance or in the case where you are making the connections on the engine, it is important to note that when tightening the banjo bolts that connect to the engine, you should use a spanner to hold the injector block in place. (The two screws on the other side holding the injector block in place are not designed to take the torque when connecting the banjo's!)

Connect the fuel line coming from the left side of the engine (cylinders 2+4) to the top hole and the return line to the bottom hole.

A check valve (non return valve/NRV) is highly recommended in the return line. This is an extra safety measure in case of fire in the engine compartment. If not installed, fuel could run from tank to engine through a leaking fuel line even when fuel pump is switched off. In the event of an accident, the fuel lines may get severed in the FWF area, consequently it is essential to have an NRV 'behind the firewall'.

Some installations have both an NRV in the engine compartment and also one in the fuselage area. These NRVs should open at very low pressure so as not to result in a pressurized return line.



Check all fuel lines and connections before each flight !

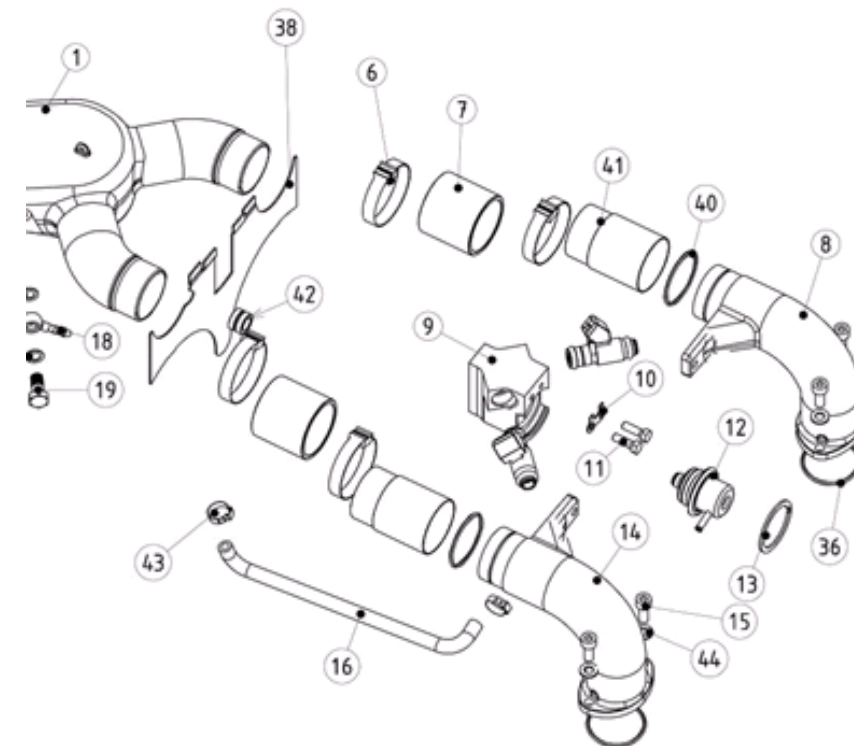


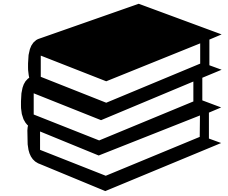
Fuel pressure regulator

The fuel pressure regulator (item 12 in picture on the right) is integrated in the right fuel block (between cylinders 1 and 3 for UL260/UL350 - between cylinders 3 and 5 for UL390/UL520).

It is connected to the inlet manifold with a cloth braided rubber hose (item 16 in picture on the right) and a small banjo (in front of starter motor) in order to regulate fuel pressure 3 bar above inlet manifold pressure.

Regularly check for wear (particularly on the parts where it might rub against the casing or inlet tubes) of this hose because if it has worn through, not only can the fuel pressure regulator not do its intended work, (regulating the fuel pressure to 3bar above the manifold pressure) but also the fuel mixture may become (too) lean and the idle speed may also increase because air could enter the manifold through another route instead of only through the throttle plate.





Special attention for aerobatic engine

- Like all fuel injected engines, ULPower engines require a continuous flow of fuel. The ULPower fuel system requires a pressurized fuel supply (3bar) that can cope with a fuel flow of minimum 120 litre/hour.
- Therefore the use of high quality lines with an appropriate inner diameter and adapted fuel connectors paramount.
- **We strongly advise a thorough testing of your installation for all angles of attack (VERY important for the engines with the aerobatic option!) and possible unporting of your tanks.**
- In installation where fuel tanks may “unport” a clunk tube or other solution must be considered tot ensure a continuous supply of fresh fuel. It is the responsibility of the aircraft builder to ensure that fresh fuel without air vapour is delivered to the fuel pumps.
- In the event of vapour or air in the fuel stream over the injectors, there is increased risk of ENGINE STOPPAGE!



Cooling system of ULPower engines

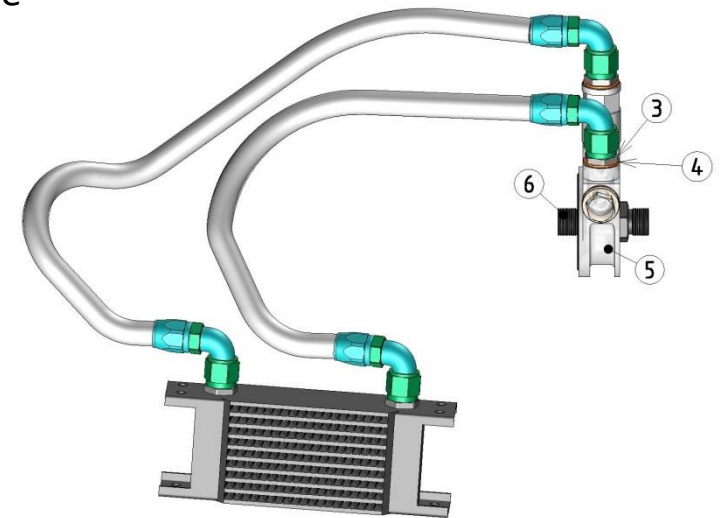
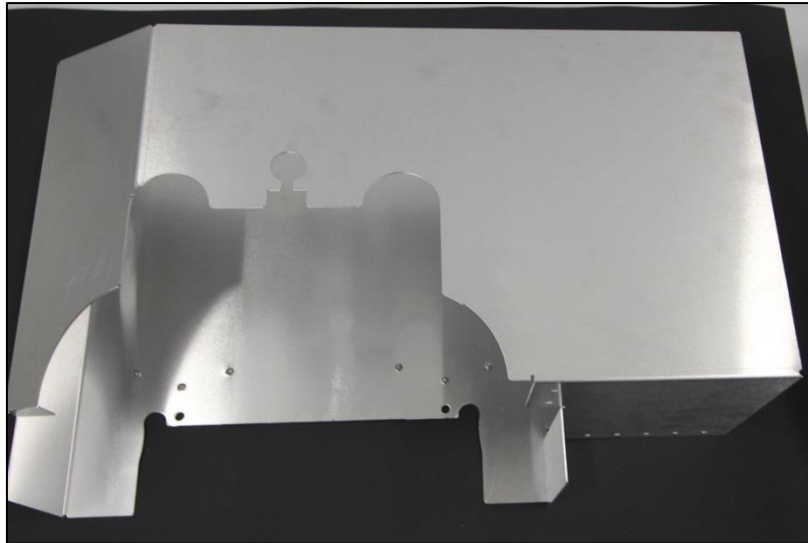
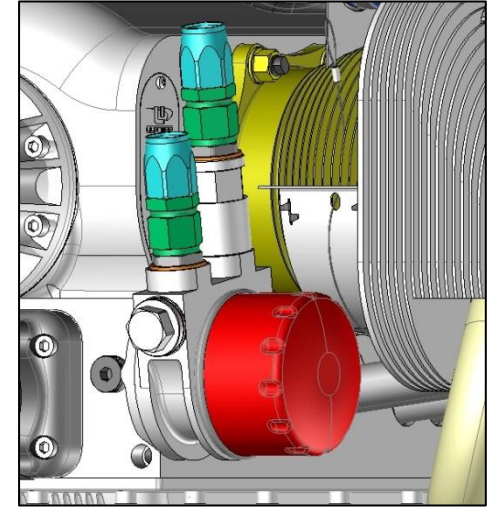
ULPower engines are oil and air cooled.

Each cylinder head has an integrated, pressurised oil line, taken from the main oil gallery, to provide enhanced cooling of vital components, increasing lubrication of push rods and valve guides for cooler running and longer life.

Pistons receive additional oil to their underside through dynamic oil dispersion from customised con-rods.

Oil cooler and oil thermostat are mandatory. A complete kit is available from your local ULPower dealer.

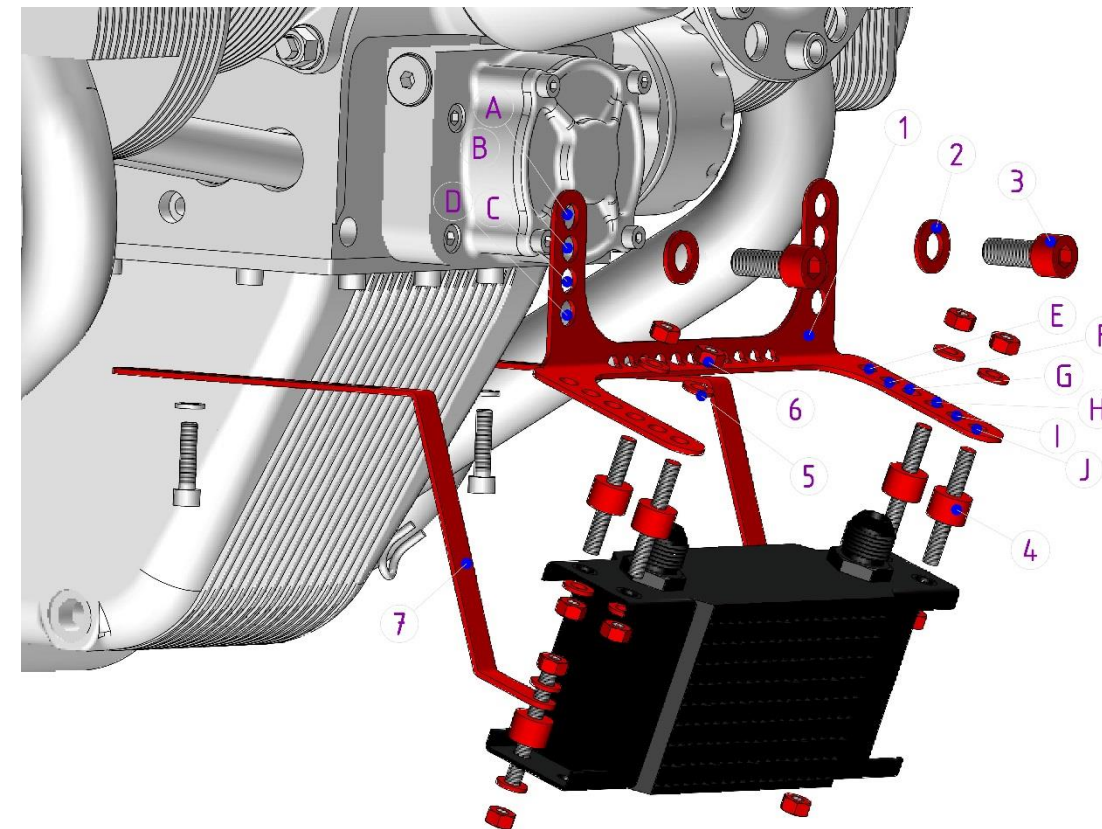
Furthermore the cylinder heads and cylinders have massive cooling fins for heat dissipation. CNC produced baffles, through which air is forced over the large fin areas, are included with the engine





Oil system

- A suitable oil cooler must be installed. ULPower offer a range of oil coolers and fittings.
- It may be installed using the ULPower oil cooler mount or remotely mounted in a suitable location for your airframe.
- Oil cooler locations MUST ensure sufficient fresh air being forced through the cooler at all angles of attack and during all phases of flight.
- Installing the oil cooler as low as possible under the engine line will prevent that the incoming air is not deviated by the propeller
- Where appropriate ducting and or baffling may assist with cooling.
- Always use appropriate shock absorbers and mounting systems.
- When using the ULPower oil cooler brackets, the position of the cooler can be changed by fixing the bolts (3) into different holes (A,B,C,D,E,F,G,H)
- Use appropriate oil lines (an oil cooler kit including lines and connectors are available)



1	Bracket	1 Pcs	5	Washer	12 Pcs
2	Locking disc springs M10	2 Pcs	6	Prevailing Hexagon nut M6	12 Pcs
3	Bolt M10x25	2 Pcs	7	Support	2 Pcs
4	Shock absorber	6 Pcs			



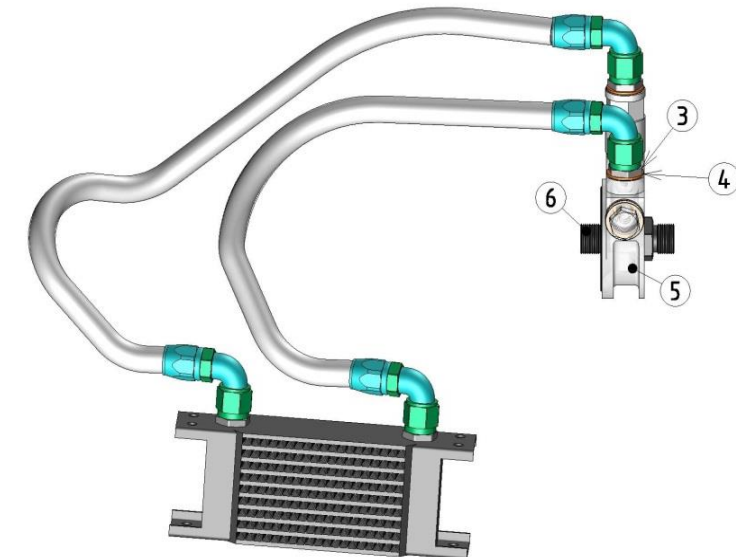
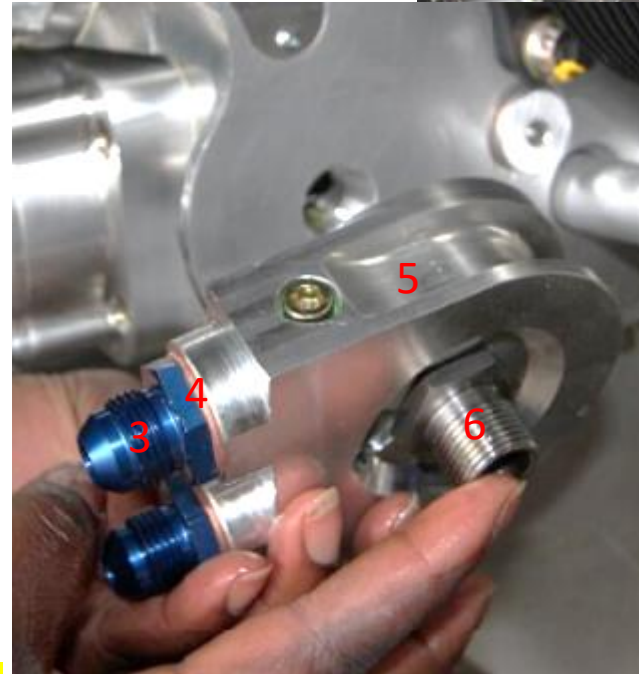
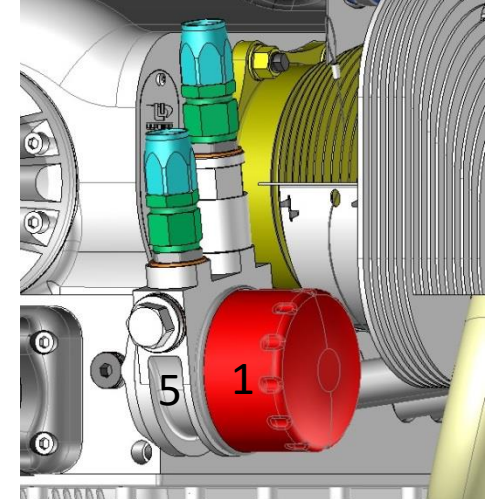
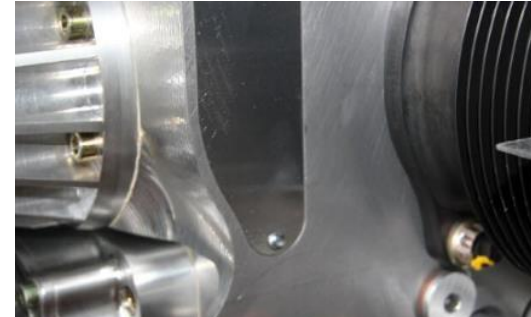


Oil Thermostat

The ULPower oil thermostat is integrated into a sandwich plate that sits between the crank case and oil filter (5). It is designed to ensure appropriate engine warming and effective engine cooling, when installed correctly with an appropriate oil cooler.

Follow the instructions for the ULPower supplied thermostat below:

1. Remove the oil filter (1) using an oil filter wrench.
2. Remove the oil filter screw (2). Wipe excess oil away.
3. Insert the male adaptor bits (3) together with a copper sealing ring (4) into the oil filter sandwich plate with integrated thermostat (5) and gently tighten. (max. 25Nm). **This should be completed before fixing to the engine.**
4. Put the sandwich plate (5) at the place of the oil filter; with the rubber seal facing towards the engine casing.
5. Insert the oil filter adaptor screw (6) in engine casing through the sandwich **plate – note the orientation.**
6. Rotate sandwich plate to desired position and tighten the adapter screw with socket/torque wrench (max. 20Nm).
7. Lubricate the oil seal of a new oil filter a little and screw filter onto the sandwich plate. **The oil filter should be torqued to 15Nm**

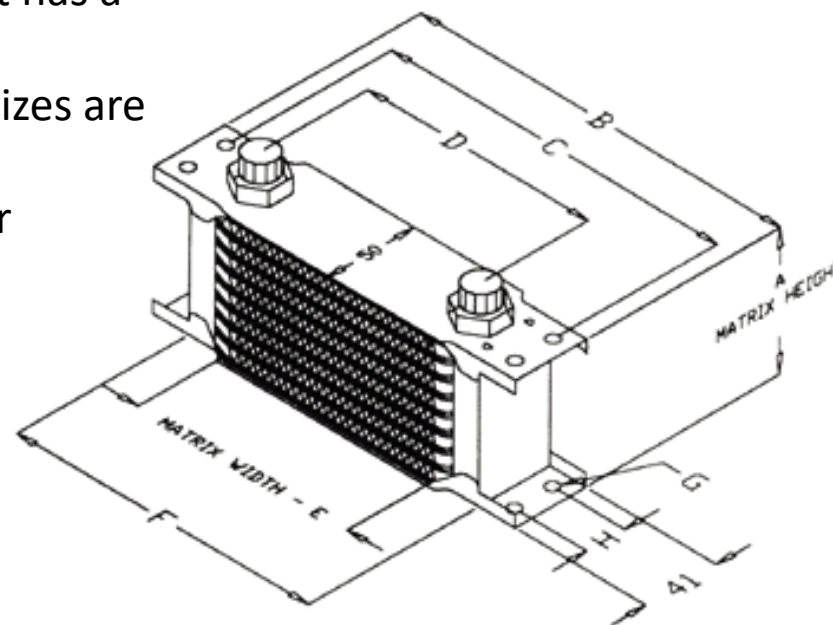




Oil Cooler – connecting oil lines and fittings

The standard oil cooler provided with the oil cooler kit has a matrix width of 115mm/ 16 rows .(UL260/UL350) and 235 mm /16 rows for UL390/520. If necessary, other sizes are available from ULPower upon request.

When installing the ULPower cooler with the ULPower supplied re-usable oil lines/connectors, please follow the instructions as shown before. [Click here](#)



Dimensions

E	B	C	D	F	G	H
235mm	330	308	248.5	295	7.1 DIA	22.2
115mm	210	188	132	165	7.0 DIA	22.0

Matrix Width Dim (E)	Row	Dim (A) (mm)	Dry Weight (kg)	Capacity (litre)	Matrix Face Area (M²)
235mm	7	53	0.53	0.14	0.012
	10	77	0.71	0.20	0.018
	13	100	0.88	0.26	0.024
	16	124	1.06	0.32	0.029
	19	147	1.24	0.38	0.035
	25	194	1.60	0.50	0.046
	34	265	2.14	0.68	0.062
	44	344	2.73	0.88	0.081
115mm	50	390	3.09	1.00	0.092
	7	53	0.32	0.09	0.006
	10	77	0.42	0.12	0.009
	13	100	0.52	0.16	0.012
	16	124	0.63	0.20	0.014
	19	147	0.73	0.24	0.017
	25	194	0.94	0.31	0.022
	34	265	1.26	0.42	0.030
44	344	1.61	0.55	0.040	
50	390	1.82	0.62	0.045	



Whenever fitting a connector to an oil cooler it is essential that you support the oil cooler fitting with a suitable spanner to prevent damage to the oil cooler.

Note: Oil is introduced to the system through the “dipstick” tube, and removed via the sump drain plug. (i.a.w the ULP maintenance manual)

Remember: Fill the oil system with the correct volume of a ULP approved oil. See [here](#)

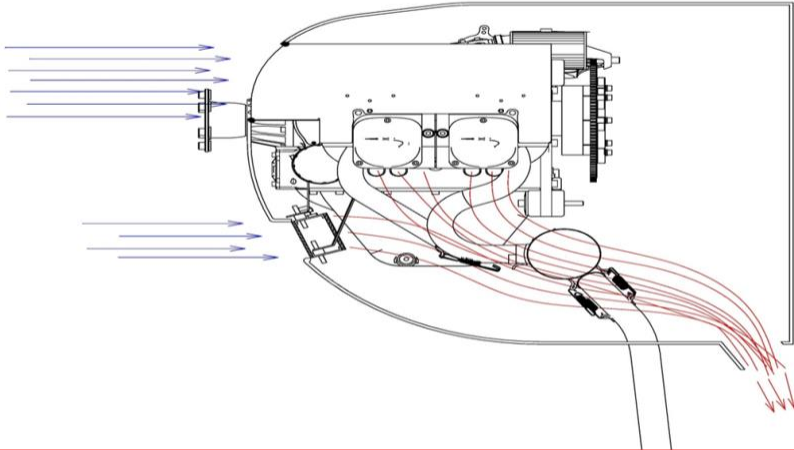


Air system

Baffles



ULPower engines come with CNC machined ram air boxes. Install them over the engine and cut the ram airboxes to fit your cowling. Make sure no air can escape and CHT's are within limits (see OM). Modifications might be needed after your first test flight. CHT values must remain within 20°C of each other.



Depending on the power setting and/ or speed, both ram air boxes need a minimum entrance surface ranging from **80 cm² to 120 cm² (12,4 to 18,6 sq inch)**.
 High powersetting and/ or low speed = bigger surface
 Low powersetting and / or high speed = smaller surface

All incoming air needs to be guided through the cooling fins of the cylinder heads. To ensure no air can escape between the airboxes and the cowling, install rubbers on top of the airbox or close off the airbox with an aluminium cover.

Avoid interference between the incoming air which is guided through the oil cooler and the incoming air through the cylinder heads. Create an easy exit for all air coming out of the engine room

Note: Incoming air must also be routed over the oil cooler. Where necessary, channels and/or baffles can assist with cooling. Your oil cooler installation is working fine if there is a **delta T of at least 15°C (27°F°)** (measurements at the inlet of the cooler and at the outlet)



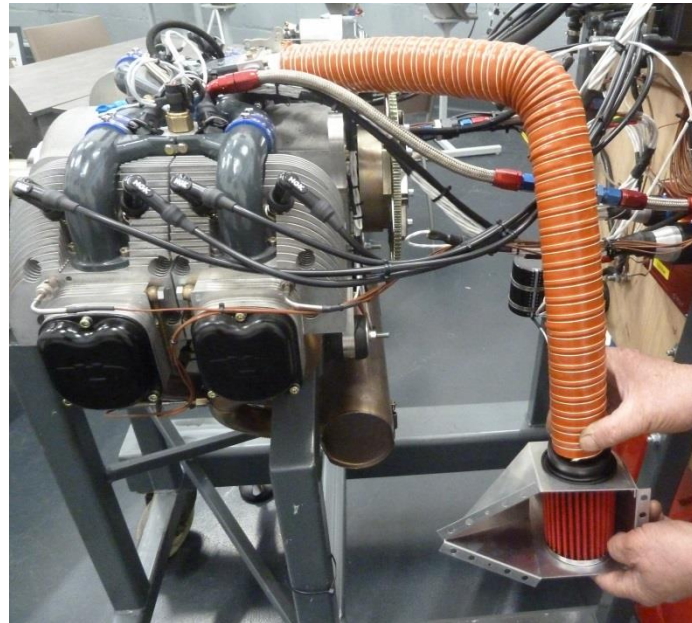


Air system

Inlet air filter

Bringing fresh air to the engine / air filter is very important for the performance of your engine.

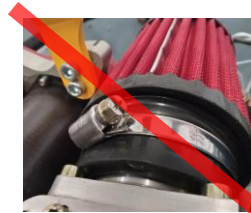
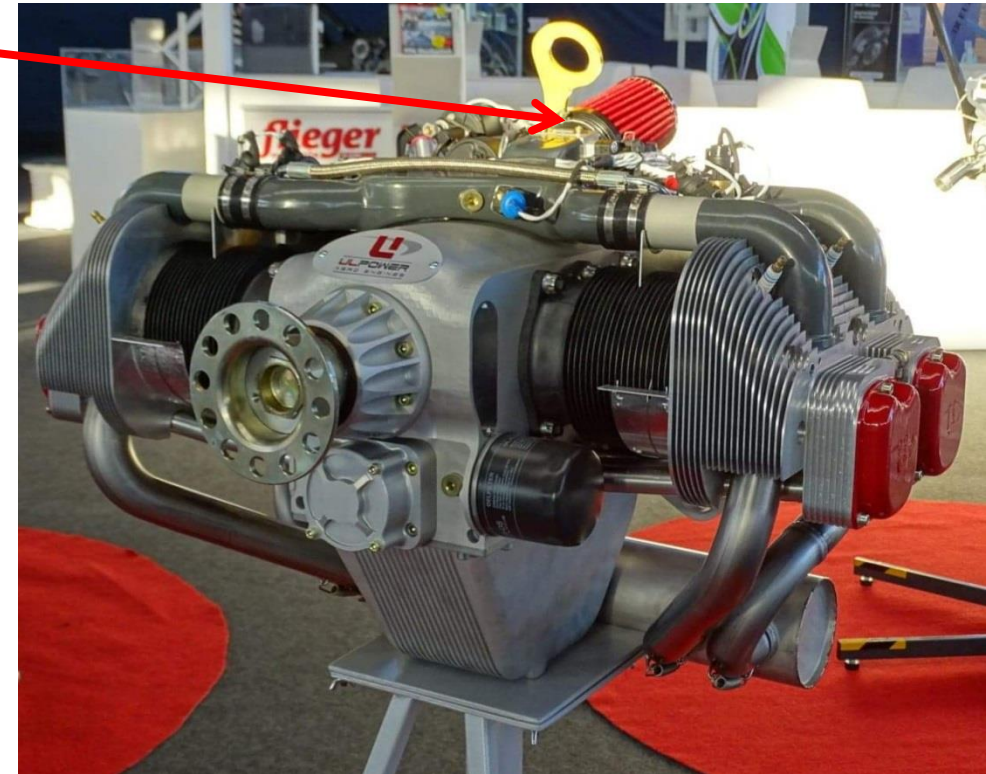
For UL260/350 the airfilter is installed directly onto the intake manifold. However, in some cases – when the ATS indicates a temperature $>40^{\circ}\text{C}$ in flight, it might be necessary to relocate the filter and install a naca or scoop.



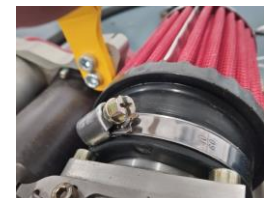
When relocating, make sure you use an appropriate connection tube (SCAT /rigid silicone)

UL390/520 come with an inlet filter that is connected with a SCAT hose . It is up to the owner to find best spot for installation.

Make sure to prevent probability of icing in your induction system!



NOK



OK

An [air-inlet box kit](#) can be ordered from your ULPower dealer



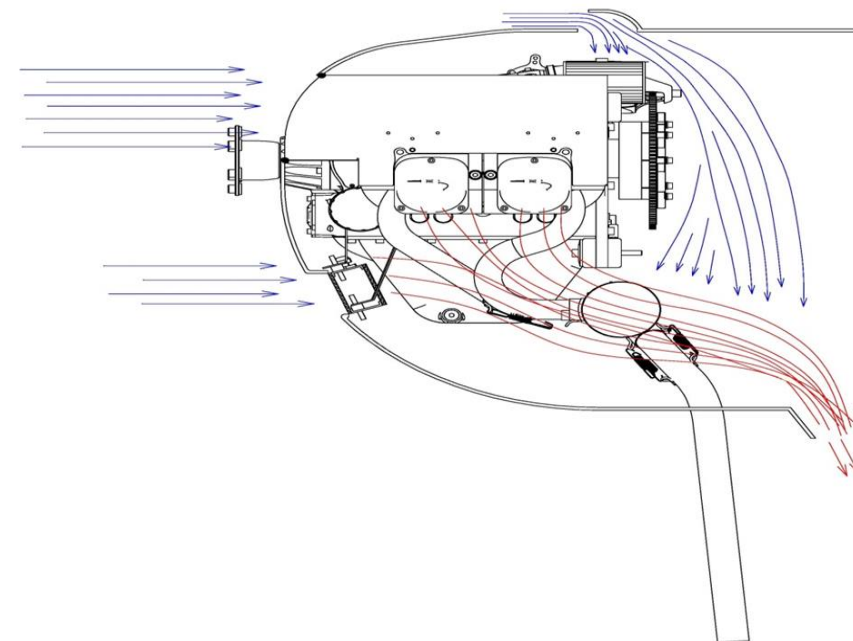
Use of Naca airfoils



A Naca airfoil on top of the cowling to supply the airfilter with fresh air is not always the best solution (better to use the ULPower air inlet box, see previous page)

If the Naca airfoil is too big, the excessive air may interfere with the oil cooler airflow and the cylinderhead airflow, disturbing the cooling efficiency rather than increasing it.

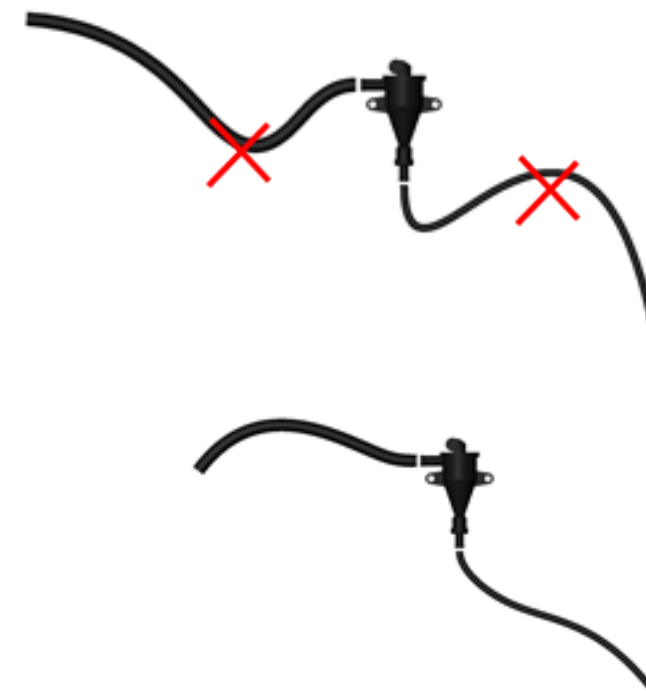
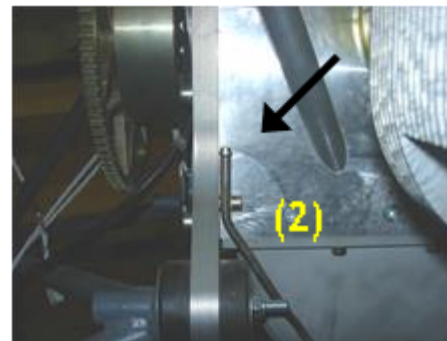
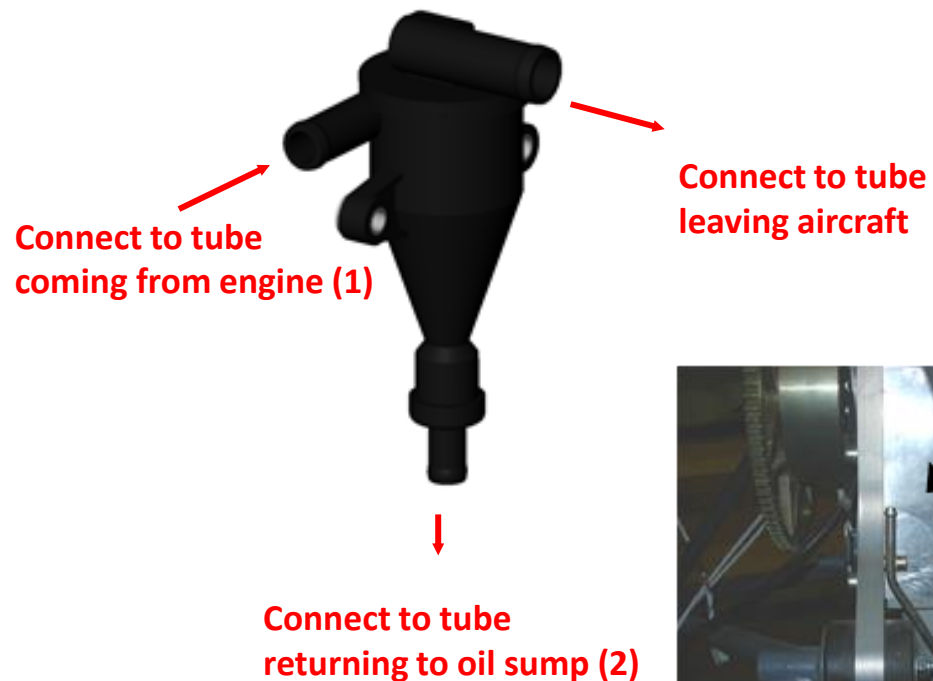
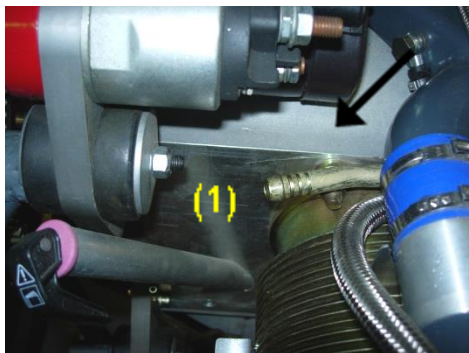
It is recommended to carefully monitor and compare the results and modify your installation if necessary.





Oil/Air Separator

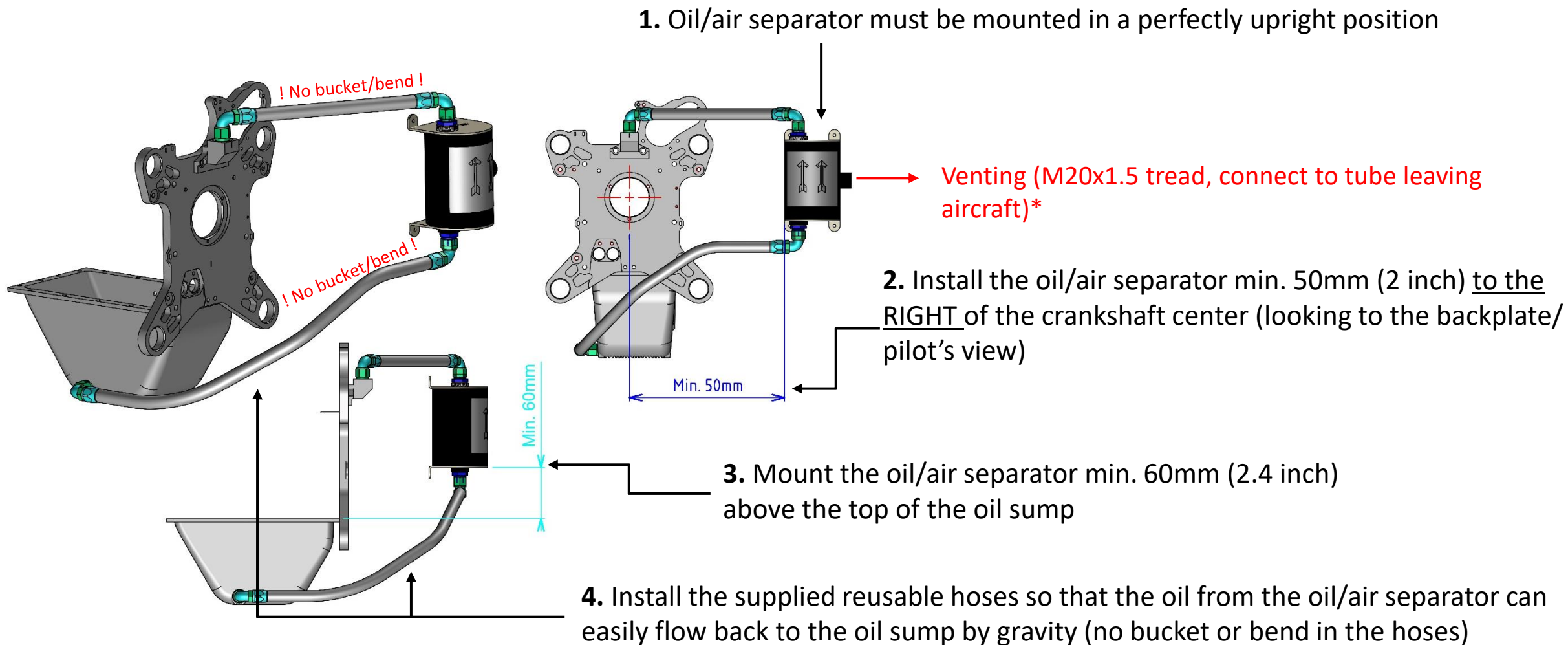
Install the oil/air separator on the firewall in an upward position. Mount it as high as possible (at least above the centre of the crankshaft). Connect the breather line (1) and the oil return tube(2) to the oil/air separator.



Make sure the hose coming from the engine (1) goes straight into the oil/air separator and the hose returning to the oil sump (2) follows a downwards line to the sump. No "bucket" bend in the hoses.
 Avoid contact between the return line and the exhaust !
 Use lines that can withstand 80° C (175°F) and are specified for use with oil.



Oil/Air Separator for aerobatic engines



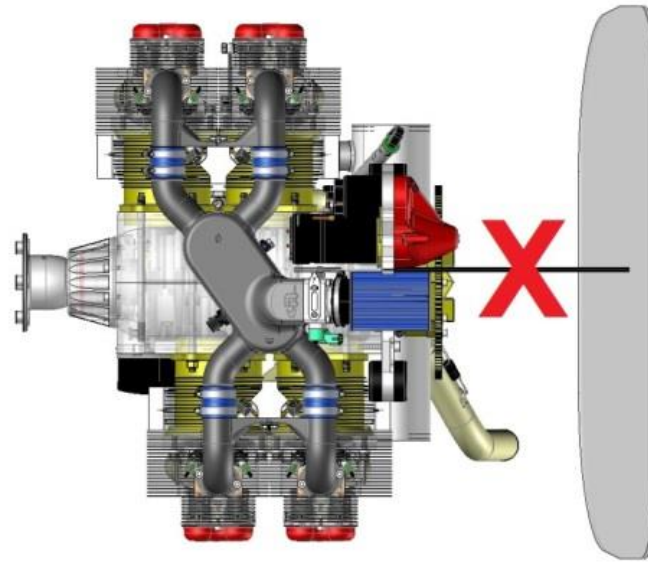
*The vent hose/tube must be protected from blockage by ice accumulation. Check the venting for ice in case of low ambient temperature before start.



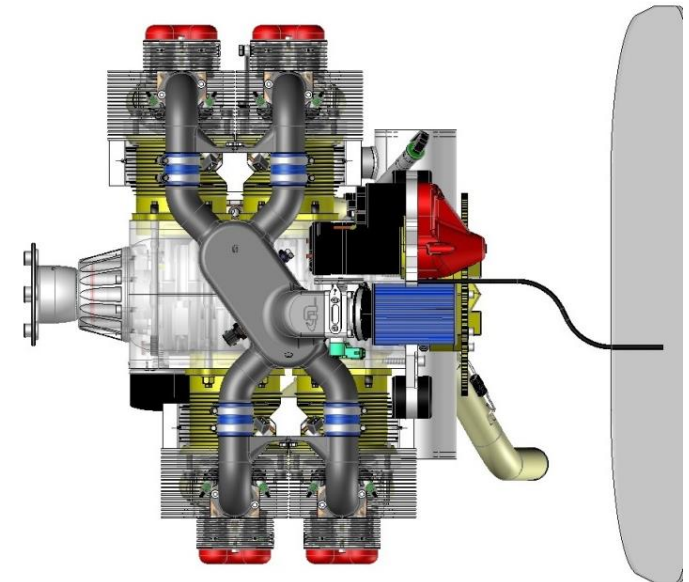
Throttle cable

When a throttle cable is installed in a straight line from the throttle lever to the fire wall, or when the lever is controlled by a push/pull (or similar) system, engine vibrations create a non-stop movement of the TPS's resulting in an unstable signal to the ECU. This may lead to an unstable RPM and even a possible engine stoppage in flight.

A [throttle cable kit](#) is available from your ULPower dealer



Not Good



Good

Always install the throttle cable in accordance with the above drawings to avoid engine runs roughly.





Idle speed adjustment...

All engines are factory tested and set to a **warm engine idle** speed of approx. 850 rpm. However, depending on your propeller pitch/diameter, this may need adjusted on installation in your airframe by changing the throttle stop on the throttle body.

- All setting changes require an engine oil temperature of at least 50°C/122°F. Before working on the settings you must turn engine and master switch "OFF". Be careful when adjusting the throttle lever stop as the engine will be hot.
- Do not leave the throttle lever stop screws (3) loose while engine is running to test the idle speed.

If idle speed is too low:

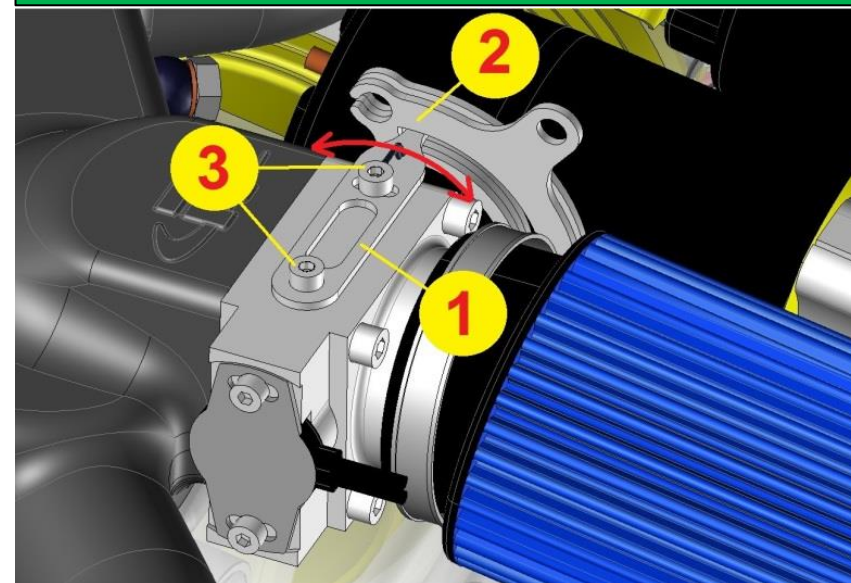
1. Set desired rpm with aircraft throttle and LOCK the aircraft throttle.
2. Loosen stop screws (3) (2.5mm Allen key) and set lever stop (1) to desired stop point
3. Tighten throttle lever stop screws (3) to maximum 3 Nm (2.25 ft lbs).

If idle speed is too high

1. Verify if the throttle lever is completely against the throttle lever stop. If not, stops of aircraft system are not set correctly. Adjust i.a.w aircraft manual. Otherwise...
2. Loosen throttle lever stop screws (3) and move throttle lever stop (1) a few mm towards the right.
3. Tighten throttle lever screws (3) maximum 3 Nm (2.25 ft lbs) and test engine idle.
4. **If new idle rpm is too low; re-adjust as described above.**

For safety, the throttle spring brings the lever to "wide open" in the event of a throttle cable break.

The idle setting (locking plate) is very sensitive. Changing it 1mm/0,04" can give you 50 RPM difference.



When setting RPM avoid low revs (<850rpm) and rough running as it may cause damage to the engine.

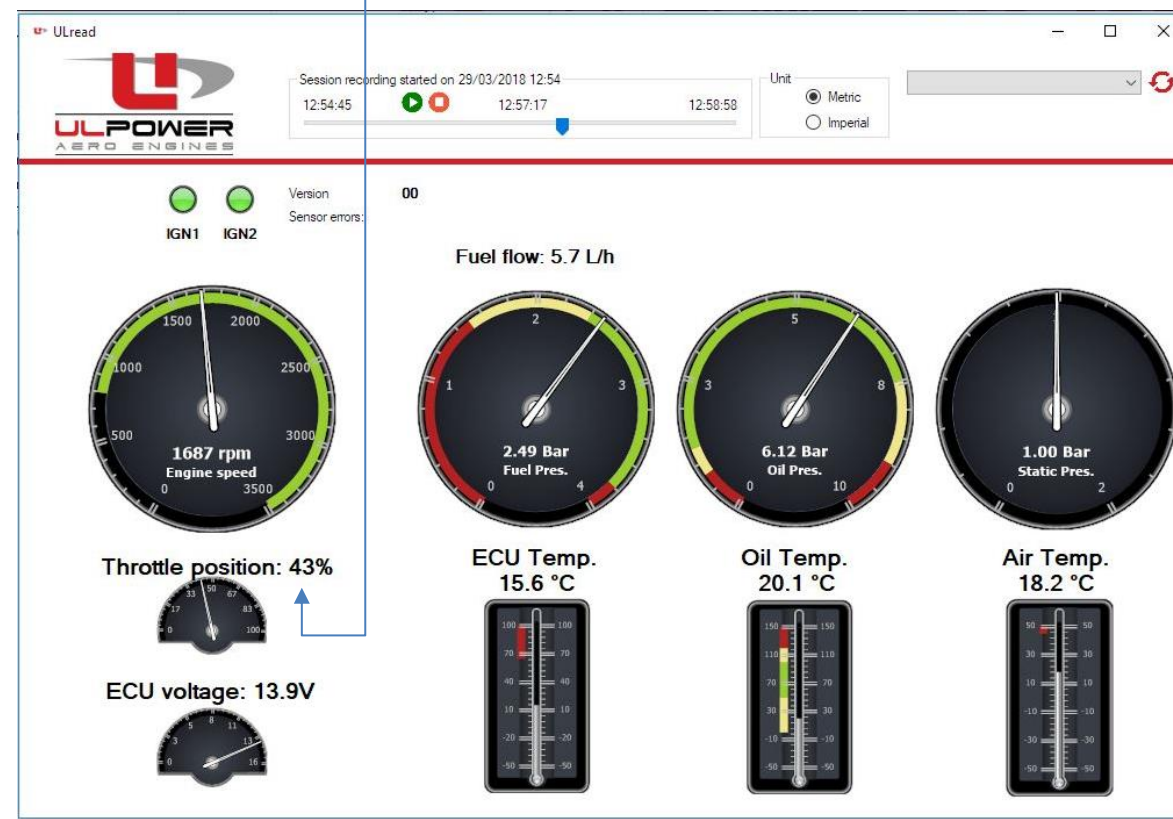


Idle speed adjustment...

The ECU will automatically adjust the fuel/air mixture when the engine is cold, therefore, **never test/ set minimum idle speed on a cold engine**. The idle RPM can vary (even with warmed-up engine) depending on the atmospheric conditions. Under all conditions, the idle must be at least 850 RPM.

1. Let the engine run hot between 1000-1500 RPM
2. Wait until the oil temperature has reached at least 50°C/122°F (do not exceed 1500 RPM before reaching this temperature)
3. Increase the RPM to 2000-2200 RPM for ± 1 minute
4. Go to idle (throttle lever completely against the throttle lever stop)
5. Assure that the idle speed is **minimum** 850 RPM. If the warm idle speed of the engine is unsatisfactory, adjust as described on the previous page

If you have access to [ULRead software](#), you may want to read out the %age throttle setting:





Ecu data output



Factory installed

Engine Sensors

- RPM
- Oil temp.
- Airtemp.
- Throttle position
- Fuel pressure**
- Oil pressure**

ECU Sensors/outputs

- Ecu temp.
- Battery Voltage
- Atmospheric Pressure
- Checklights



Wiring loom engine

Wiring loom cockpit
Data readings through
RS232 or CANBUS

Cockpit Readings

- RPM
- Fuel Flow/consumption
- Oil temp.
- Air temp.
- Throttle position
- Fuel pressure
- Oil pressure
- ECU temp.
- ECU Voltage
- Atmospheric Pressure
- Check lights

Optional Sensors

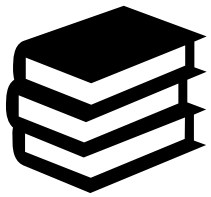
- CHT
- EGT
- MAP
- Additional fuel, etc

Normal connection to instruments/EFIS
(subject to avionics options installed)

- CHT
- EGT
- MAP
- Additional fuel, etc

The ECU map will use default values for oil temp, air temp, etc in the event of a sensor failure, and keep the engine running, albeit less efficiently than with actual values. Consequently, fuel burn MAY increase in such an event. The ECU does NOT raise signal warnings for values outside of ranges – that should be managed by your EFIS system.





Ecu data output with AUX box

Factory installed

Engine Sensors

- RPM
- Oil temp.
- Airtemp.
- Throttle position
- Fuel pressure**
- Oil pressure**

ECU Sensors/outputs

- Ecu temp.
- Battery Voltage
- Atmospheric Pressure
- Checklights



Wiring loom engine

Wiring loom cockpit
Data readings through
RS232 or CANBUS



Cockpit Readings

- RPM
- Fuel Flow/consumption
- Oil temp.
- Air temp.
- Throttle position
- Fuel pressure
- Oil pressure
- ECU temp.
- ECU Voltage
- Atmospheric Pressure
- Check lights
- CHT
- EGT
- MAP
- Additional fuel, etc

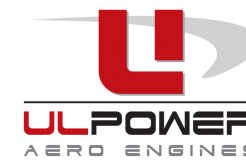
Optional Sensors

- CHT
- EGT
- MAP
- Additional fuel, etc

The Aux Box is an engine option which enables additional data read-out on your EMS.

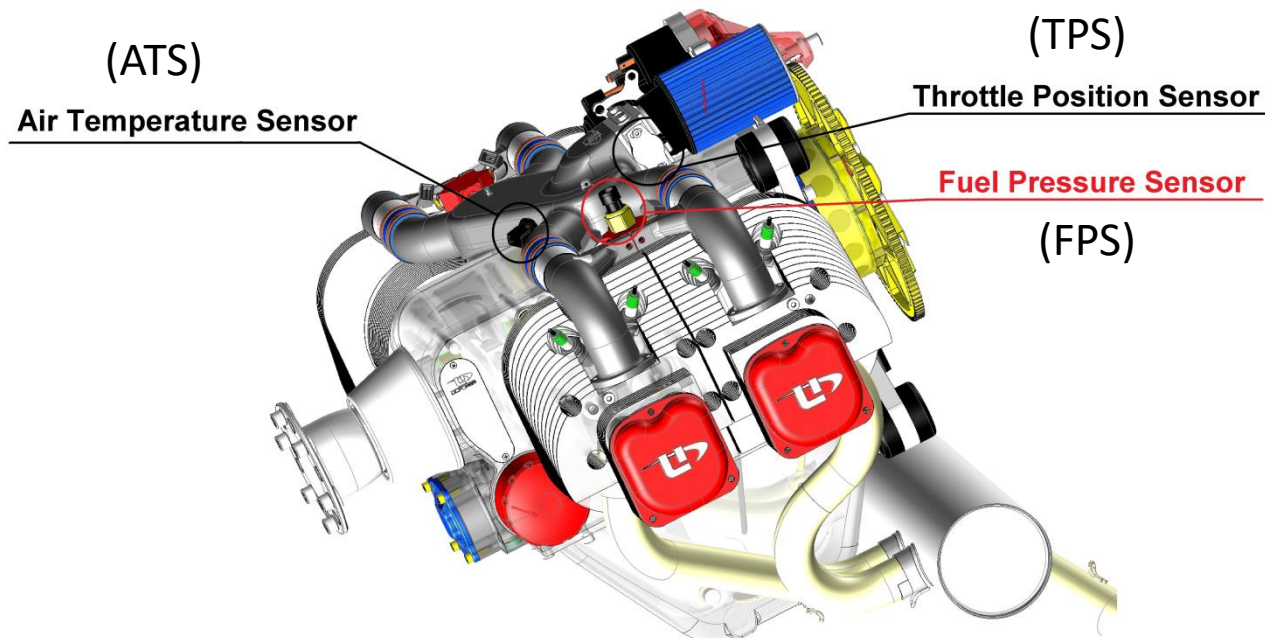
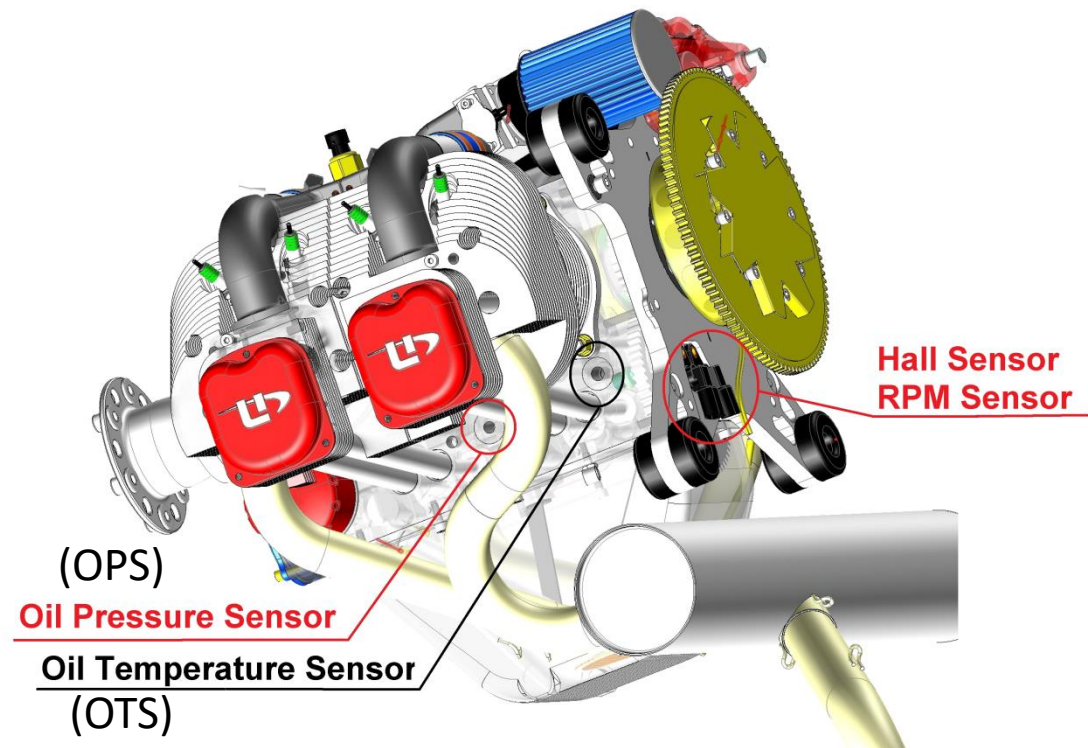
Verify if your EMS is compatible for CHT/ EGT / MAP read out through CANBUS / RS232 before ordering the AUX Box option !





Factory installed sensors

Read out through the ECU per RS232/CANBUS when using a compatible EMS





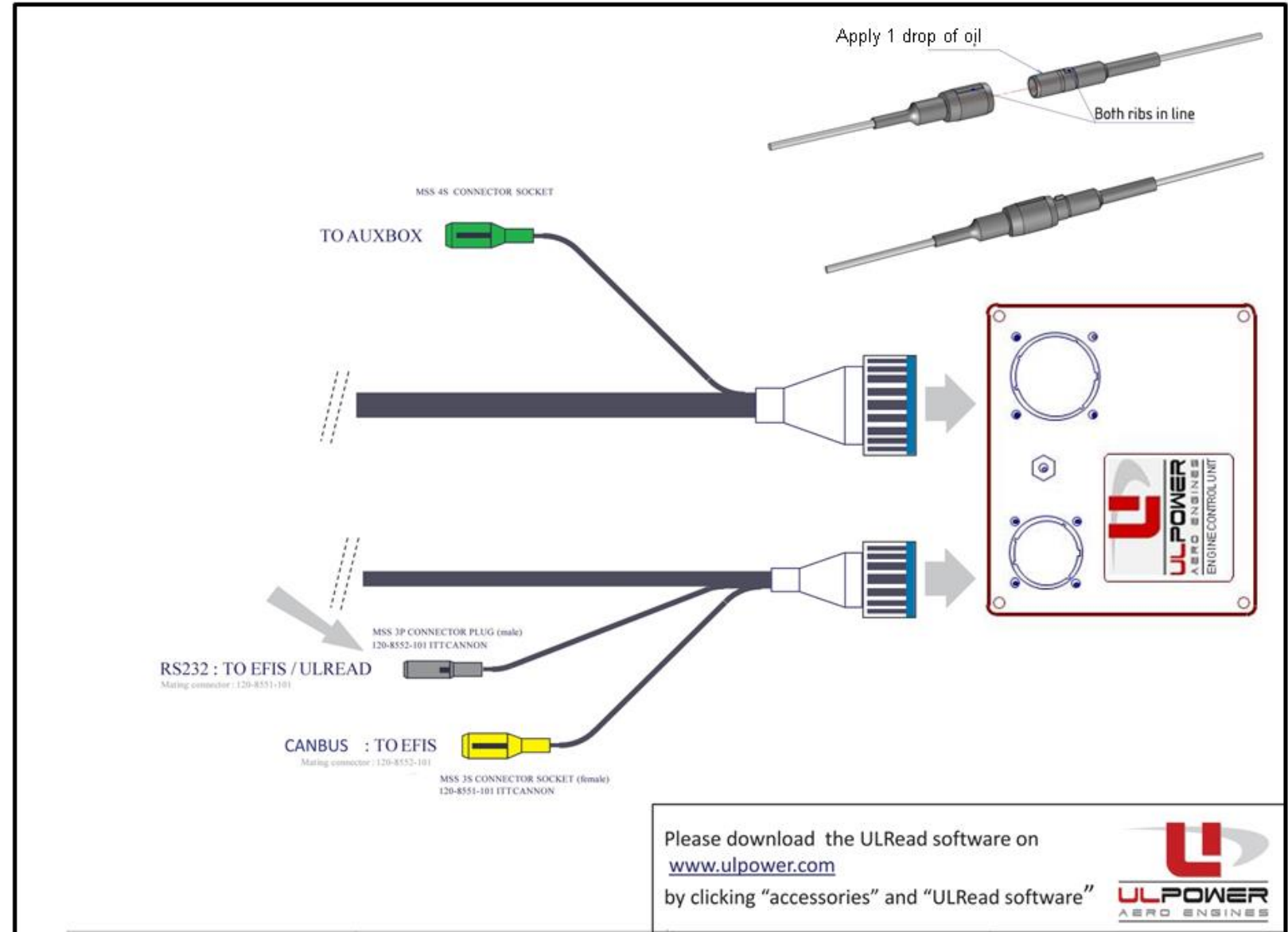
How to connect factory installed sensors to your EMS

When using a compatible EMS (engine monitoring system), data will be displayed on your screen by installing 1 single cable and connect to your ECU-COCKPIT wiring loom

Order the connection cable for canbus data transfer (E080303)

Order the connection cable for RS232 data transfer (E080305)

If your system is not compatible or you prefer to work with analogue gauges, please go to the next page



Additional sensors - OTS



If your system is not compatible or you prefer to work with analog gauges, extra sensors (not included) are needed. They can be installed as indicated below.

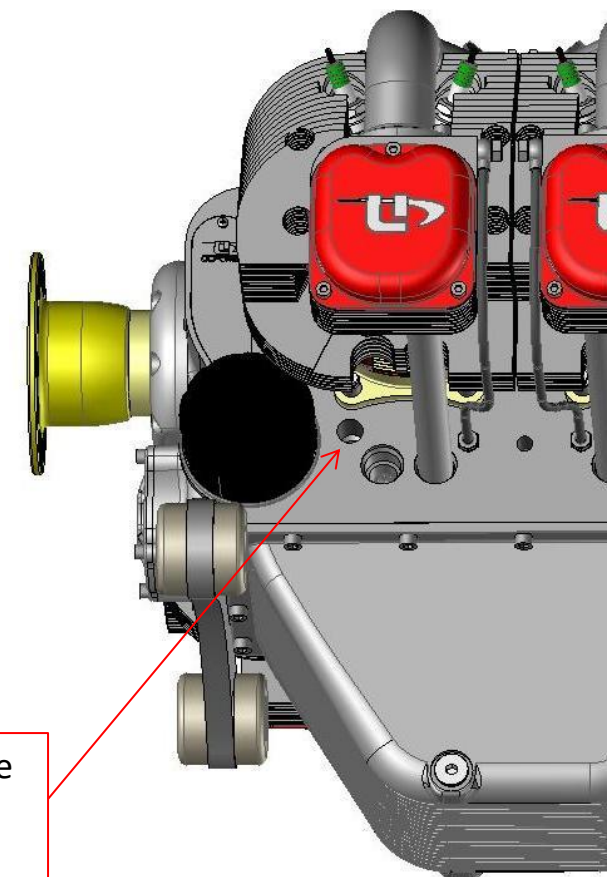
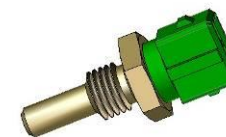
Oil Temperature Sender (OTS)

Recommended specifications

- Range up to at least 130°C (266F)

The oil temperature is measured on the left side of the crankcase. (See picture)

An OTS with 5/8"-18 UNF thread combined with a sealing ring can be screwed in. This sensor will indicate the oil temperature in the cockpit. Sensors with M10, M10x1, M12x1,5 or 1/8 NPT thread can also be used with an adaptor plug. These adaptor plugs are available from ULPower if needed. (See accessories/parts)



Interface for oil temperature sensor in case you are not using an EFIS

Tread: 5/8"-18=UNF

Adapter plugs available to M10, M10x1, M12x1,5, 1/8NPT





Additional senders – OPS UL260/UL350

If your system is not compatible or you prefer to work with analog gauges, extra sensors (not included) are needed. They can be installed as indicated below.

Oil Pressure Sender (OPS)

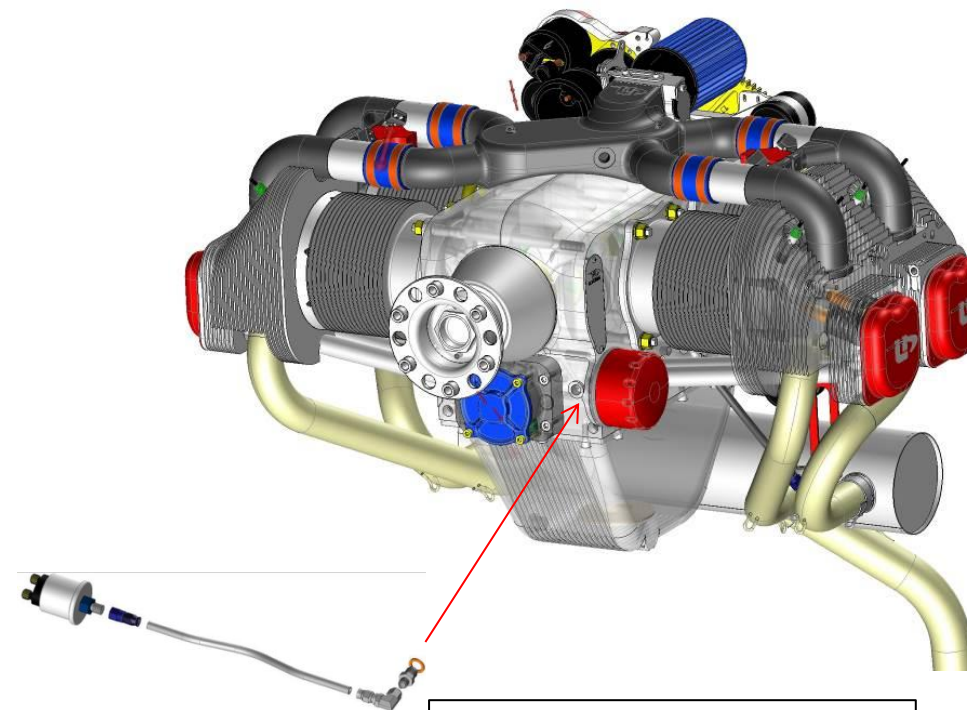
Recommended specifications

- Range 0-10bar (0-150psi)

The OPS shown is a passive analogue sensors of the resistive type. This type has to be connected by means of a flexible pressure line in order to avoid sensor failure due to engine vibrations. The sensor can be attached to the engine mount frame or the firewall.

A ULPower kit is available for this, see : [How to install ?](#)

Oil pressure is measured in the main oil gallery at the (top) side of the engine casing, where M12x1,5 thread is foreseen.



Interface for oil pressure sensor in case you are not using an EFIS
Tread: M12x1,5

Active 12V solid state sensors are more expensive but are much less sensitive to vibration and therefore more reliable. However only certain instruments will accept active pressure sensors.





Additional sensors – OPS – UL390/UL520



If your system is not compatible or you prefer to work with analog gauges, extra sensors (not included) are needed. They can be installed as indicated below.

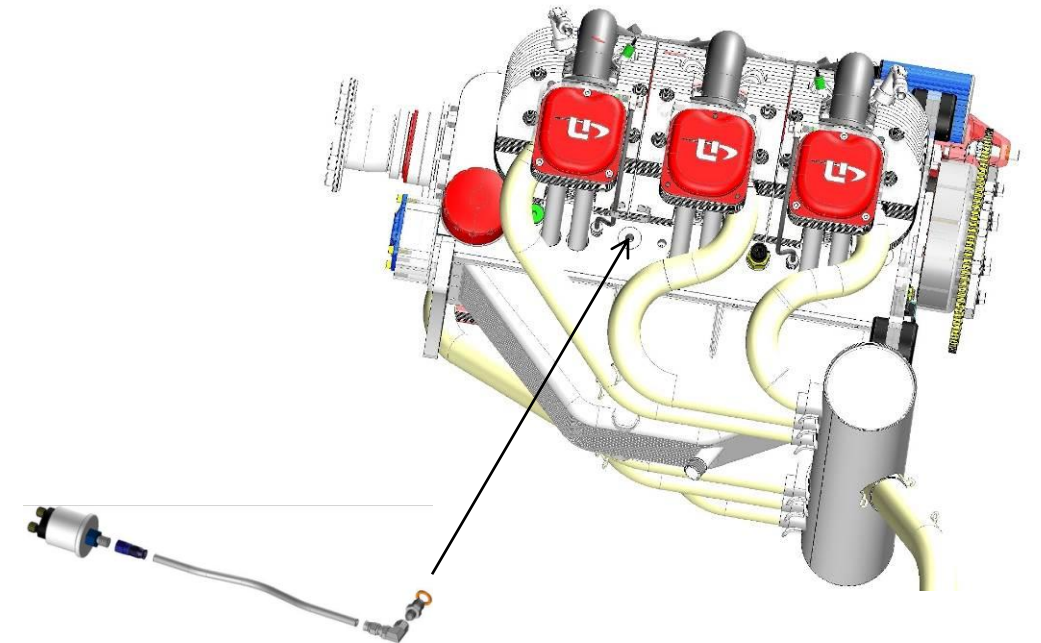
Oil Pressure Sender (OPS) – Single ECU

Recommended specifications

- Range 0-10bar (0-150psi)

The OPS shown is a passive analogue sensors of the resistive type. This type has to be connected by means of a flexible pressure line in order to avoid sensor failure due to engine vibrations. The sensor can be attached to the engine mount frame or the firewall. [How to install ?](#)

Oil pressure is measured in the main oil gallery at the (top) side of the engine casing, where M12x1,5 thread is foreseen.



Interface for oil pressure sensor in case you are not using an EFIS (and single ECU)
Tread: M12x1,5

Active 12V solid state sensors are more expensive but are much less sensitive to vibration and therefore more reliable. However only certain instruments will accept active pressure sensors.



Additional sensors - FPS



If your system is not compatible or you prefer to work with analog gauges, extra sensors (not included) are needed. They can be installed as indicated below.

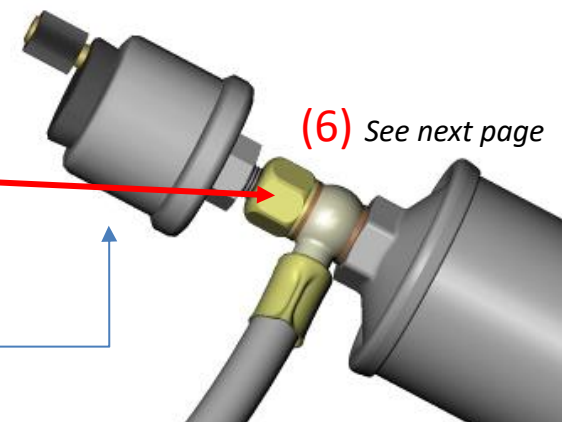
Fuel pressure Sender (FPS)

Recommended specifications:

- range: 0-5 bar (0-80 psi)

If you have ordered the ULP Fuel connection kit, you will have to change the banjo bolt (F2551200) that comes with this kit to the banjo bolt with 1/8NPT (E064502) from K100001 (no efis kit – see next page). This bolt is screwed on top fuel fine filter. The pressure sensor need to be screwed in the banjo bolt.

(see picture)



(6) See next page

It is possible to install an optional fuel pressure sender BEFORE the fine fuel filter, which may give early warning of filter contamination – if compared to the fuel rail pressure (which is controlled by the pressure regulator). Rising pressure pre-filter is an indication of a compromised filter.

The 1/8NPT (E064502) banjo bolt needed for the fuel pressure sensor (see previous page) is also included in this kit.

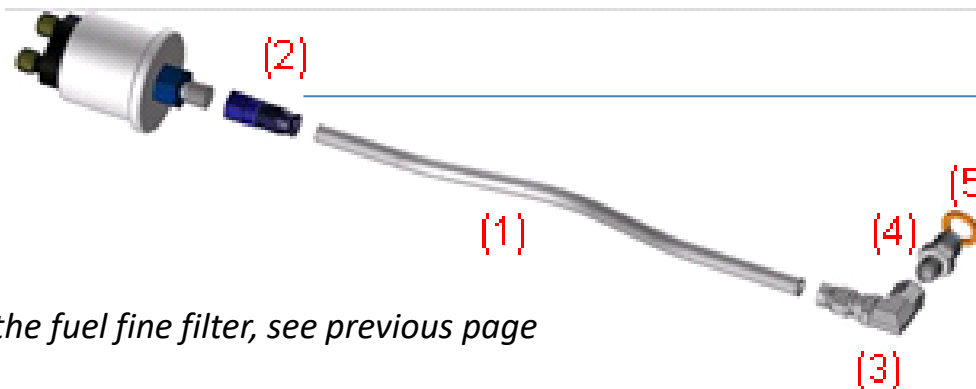


Additional sensors - special kit

A special kit K1000001 (fuel and oil pressure kit – no EFIS) is available and contains following items:

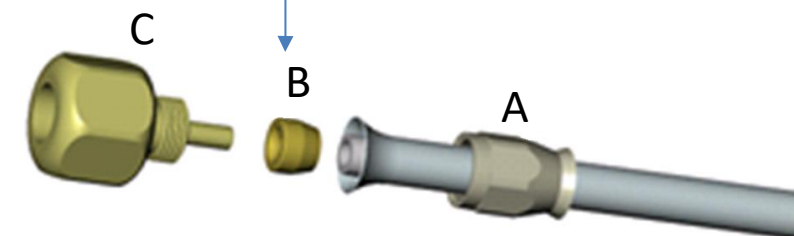
- (1) Oil pressure line 3AN
- (2) Oil pressure sensor adaptor – 3AN
- (3) 90° Reusable -3JIC
- (4) Adaptor M12 x 1,5 – 3JIC
- (5) Copper sealing ring Ø12x17x1,5
- (6) Banjo Bolt M12x1.5 with 1/8"NPT :

to connect a fuel pressure sensor on top of the fuel fine filter, see previous page



The length of the line will depend on where you would like to install the sensor. Determine the length and assemble the line as follows:

- Apply tape around the hose at the point you wish to cut it to length. This way the stainless steel braid will stay in position and doesn't unravel; a cleaner cut is obtained.
- Cut hose with a metal saw or grinding disc in such a manner that a nice straight end is obtained.
- Unscrew the socket screw (A) of the oil pressure sensor fitting (C). Be careful not to loose the brass cone (B) that sits inside. Before removing the tape, slide the socket screw over the hose including the stainless steel braid.
- Remove the tape.
- Open the stainless steel braid towards the outside to free the end of the inner plastic tube. As shown on the image. Do not unravel the braid too much.
- Slide/push the brass cone (B) over the plastic tube all the way to the end.
- Push the oil pressure sensor adaptor fitting (C) into the tube.
- Pull back the socket screw towards the fitting and screw onto the fitting as far as possible. Make sure the steel braid does not go in between the thread. Use two spanners - one to hold fitting, the other to tighten the lock screw.
- Repeat on other side with the banjo fitting.
- Clean the oil pressure line thoroughly to ensure no metal, rubber or other particles are inside before connecting the line.





Additional sensors - CHT



Cylinder Head Temperature Sender (CHT)

Installing CHT sensors onto your ULPower engine provides essential feedback related to performance. We **recommend** to install a CHT sender for each cylinder to enable optimum readings of engine performance.

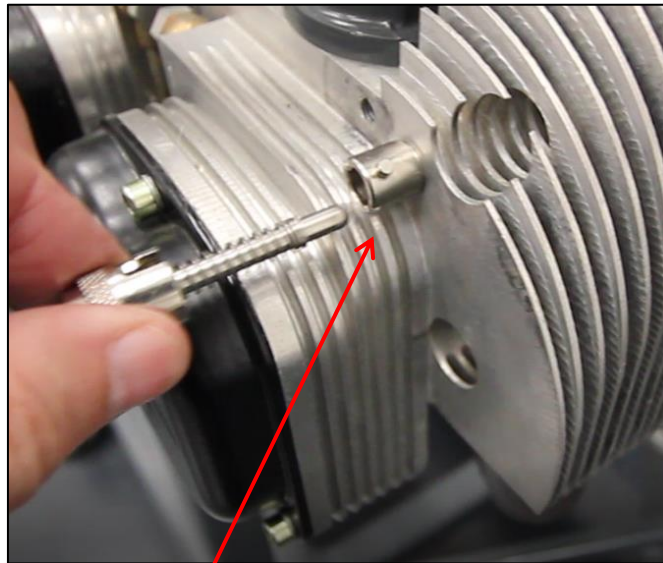
Recommended specifications:

Use a springloaded – bayonet style k- type sensor (**yellow wire is +**)

[Genuine ULP CHT sensors](#) are available from your ULPower dealer.



READ MORE @  **ULPOWER NEWS**



Before mounting your CHT, ensure that the spring is adjusted so that the sensor is fully inserted to the end, ensuring CONTACT between the sensor and the bottom of the opening. Failure to do this will result in inaccurate measurements.

CHT values are not monitored through the ECU (unless you have opted for the AUX Box). This leaves the monitoring to the pilot, and allows for the use of either analogue gauges or a feed into a digital instrument of some kind (EFIS, or stand alone)

Interface for CHT Sensor” Thread 3/8 UNF





Additional sensors - EGT



Exhaust Gas Temperature Sensor (EGT)

EGT sensors provide essential feedback related to performance. We **recommend** an EGT sensor be installed for **each** cylinder to enable optimum readings of engine performance.

INSTALLATION: EGT sensors should be installed at the correct distance from the 'exhaust outlet' on the cylinder head – and all sensor should be at the same distance from the exhaust manifold. The recommended distance is 75 mm (3") with +/-25 mm tolerance. To install the clamp type, simply drill a small hole, to suit the EGT you are fitting, at the correct distance from the exhaust manifold 'flange', making sure that the orientation of the EGT sensor and lead will not foul the cowling or other items. [Genuine ULP EGT](#) probes are available from your ULPower dealer.



1. Mark and drill at 75mm (3") from Exhaust manifold



2. Insert EGT



3. Tighten clamp

Before drilling the hole in the exhaust, check for interference related to the orientation of the EGT for cowling and other possible interference points.

Securely route EGT cables to your instruments i.a.w. good electrical installation practices.

READ MORE @  **ULPOWER NEWS**

The ULPower Engine Control Unit (ECU) does NOT monitor EGT temperatures (unless you have opted for the AUX Box), This leaves the monitoring to the pilot, and allows for the use of either analogue gauges or a feed into a digital instrument of some kind (EFIS, or stand alone)..





Additional sensors- MAP

Manifold pressure sensor (MAP)

An optional Manifold Pressure sensor can be installed to give you an indication of how much power you are actually using. The engine power produced is a function of the M.A.P. and engine rpm, the engine performance is controlled by the engine ECU-map, which monitors a variety of factors to adjust mixture, as with all FADEC engines.

INSTALLATION: A suitable flexible hose connected to a MAP sensor may be attached to the air inlet manifold with a double banjo (option) to the inlet collector, instead of the single one supplied for the fuel pressure regulator.



Parts needed :

F2510708 banjo eye M8

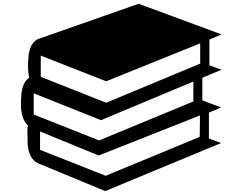
F2520801 double banjo bolt M8

S3081210 (3*) copper ring 8 x12x 1

F2550006 cloth braided hose 9,5 x 4,5

The ULPower Engine Control Unit (ECU) does NOT monitor Manifold Air Pressure (unless you have opted for the AUX box). This leaves the monitoring to the pilot, and allows for the use of either analogue gauges or a feed into a digital instrument of some kind (EFIS, or stand alone).





Non-ECU/EFIS sender options

In some cases, installations do not take the available data (in full or part) from the ECU RS232 or CANBUS outputs, and therefore may not feed into the EFIS system or in cases where a preference for analogue gauges exists.

When not using the ECU outputs and wiring directly to an EFIS that requires direct connection or to analogue gauge(s), you have choices:

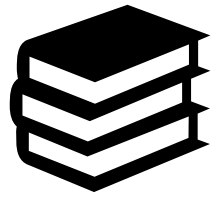
EITHER: Install a Digital to Analogue converter that will stream the data from the ECU into analogue format for your various instruments.

AND/OR: Use the analogue output loom wiring on the ECU cockpit loom [GREY heat shrink](#) bundle for RPM and fuel consumption data AND/OR Install additional sensors.

DO NOT ATTEMPT TO USE THE SENSORS LOOMED TO THE ECU. THEY ARE AN INTEGRAL COMPONENT OF THE ENGINE CONTROL DATA SYSTEM.

Any interference with this may result in engine performance issues and even engine damage or failure.





Choosing a propeller...



Propellers with a Rotational Moment of Inertia of up to $0,8\text{kgm}^2$ have been used with no known problems. An all wooden propeller is recommended to absorb engine vibrations.

If you are considering a composite propeller, make sure they have been specifically developed to withstand high revving ULPower engines.

Make sure your propeller is dynamically balanced! Omitting to do so, may void warranty.

When using a 'constant speed propeller", only an electrically commanded propeller can be used. A bracket to mount the electrical contacts is available.



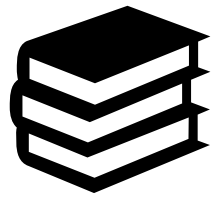
Part n° E022007



Install the bracket as show in the picture. Starting from these you have to build up another bracket in accordance with your propeller and the electrical contacts

It is important to ensure that the propeller is matched to the engine to prevent vibrational frequencies from damaging both the engine and/or the propeller !





Choosing a propeller...

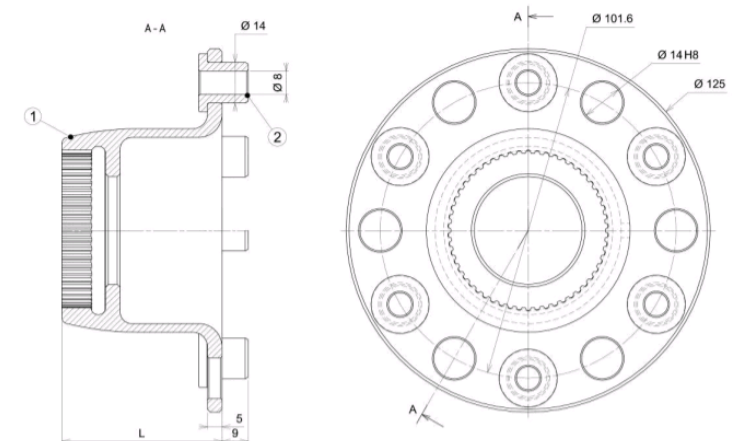
Ask your propeller manufacturer which prop flange is recommended.

In the [prop flanges document](#) you can find the different types of prop flanges that are available.

- Never (test)run the engine without a propeller or flywheel as this will inevitably cause engine damage and present a hazard of explosion.
- Propeller/flywheel and its attachment with a moment of inertia in excess of the specified value must not be used and releases ULPower from any liability.
- Install the propeller in accordance with the propeller and aircraft manufacturer's instruction.

ULPower offers different types of propeller flanges.

1. Standard Flange



Nr.	Partnumber	Name	Plassy
1	E022501	Propeller flange L = 55 mm (Standard)	1
1	E022504	Propeller flange L = 110 mm	1
1	E022505	Propeller flange L = 90	1
1	E022506	Propeller flange L = 35	1
2	E023004	Drive lug Ø 14	6



Preparing for first start / first flight...

Congratulations! You have now finished your installation and are almost ready for the first start. The [ULPower checklist](#), which you can download from our website, might help you to verify if you haven't forgotten anything important.

It is now time to move on to the Operations Manual (OM) . In the Operations Manual, you can find the specifications for the fluids and limits. Consult the OM for more detailed information.

Make sure that all engine parameters are within limits. Modifications to the cowling, location of the oil cooler or propeller adjustments might be needed.

If you discover any issues, consult our trouble shoot manual or contact your local dealer for assistance.

READ MORE @  **ULPOWER NEWS**

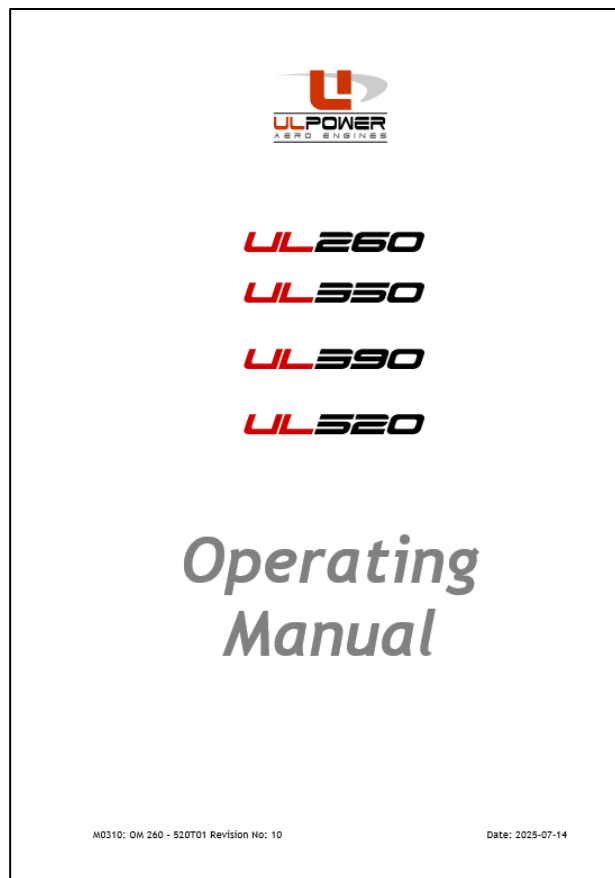
*PRO TIP: During tests, if at 2700/2800rpm cruise EGT values are below 700°C you may be sensing 'too high' air pressure and running rich... If EGT values are above 800C you may be sensing 'too low' air pressure and running lean. Check with your OEM or ULPower agent for optimal positioning for your ambient air sensor.

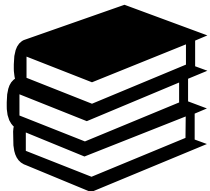




Fluids and Limits

All data regarding the General operating limits can be found in the ULPower operating manual. This document is available on <https://ulpower.com/en/engines/manuals>





Dimensions

ULPower engines come as 4 or 6 cylinder configuration, with high and low compression models.

The technical data document, which is available on <https://ulpower.com/en/engines/manuals>, provides diagrams and information on dimensions, weights and other engine specific data.



260 series



350 Series

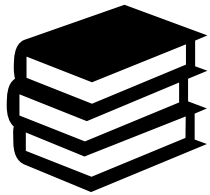


390 Series



520 Series





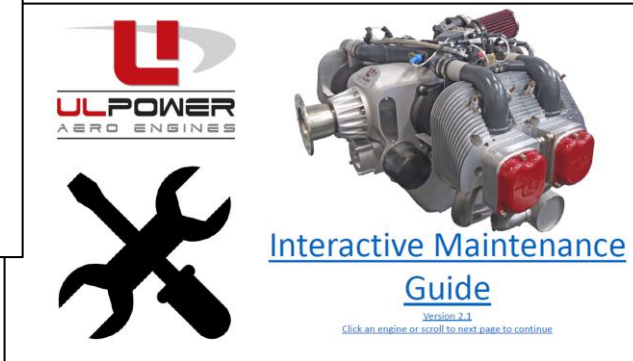
Further resources

ULPower Aero Engines have a number of places where you can find further resources: Click on the logos/links to link directly...



www.ULPower.com - [The Official Company website](#)

www.ULPower.com - [Authorised Manuals Pages](#) (includes the latest installation, interactive troubleshooting and maintenance guides shown below as well as Illustrated Parts Catalogue, etc



The illustrated troubleshooting and maintenance guides, coupled with the Illustrated parts manuals are essential documents to keep to hand (on your phone or tablet or printed out, as suits you).

ULPower Service Bulletins: <https://ulpower.com/en/engines/service-bulletins>



www.ULPower.news - [ULPower blog](#), technical pages, people, aircraft and much more – just for ULPower Aero Engine owners and prospective owners.



Like our Facebook page [ULPower News](#)



Revisions

Revision 1.0 (2020-07-01)

[Slide 30](#): specify the LED characteristics

[Slide 33](#): change RPM pulses (2 pulses for UL260/UL350 – 3 pulses for UL390/UL520)

[Slide 33](#): add canbus / rs232 wire labels

[Slide 34](#): change RPM pulses (2 pulses for UL260/UL350 – 3 pulses for UL390/UL520)

[Slide 34](#): add canbus / rs232 wire labels

[Slide 35](#): change wiring gauge between starter and battery from AWG 3 to AWG 4

[Slide 36](#): change wiring gauge between starter and battery from AWG 3 to AWG 4

[Slide 37](#): update scheme hall sensor 1 / hall sensor 2

[Slide 38](#): update scheme hall sensor 1 / hall sensor 2

[Slide 41](#): updated picture

[Slide 51](#): minimum distance between the 2 coils

[Slide 54](#): added m6x1 to capacitor info + never use jump starter remark

[Slide 67](#): 2 extra shock absorbers

[Slide 68](#): point 6 : changed max torque value to 20 Nm (from 25 Nm)



Revisions

Revision 1.1 (2020-11-01)

[Slide 25](#): the ecu checklight comes up when battery voltage is below 12,7

[Slide 29](#): remove “20a” switch.

[Slide 30](#): see above change from 12,5 to 12,7 v

[Slide 31](#): see above change from 12,5 to 12,7 v

[Slide 33](#): see above change from 12,5 to 12,7 v

[Slide 34](#): see above change from 12,5 to 12,7 v

[Slide 43](#): see above change from 12,5 to 12,7 v

[Slide 87](#): add “ yellow wire is + “

[Slide 96](#): make sure your propeller is dynamically balanced



Revisions

Revision 1.2 (2021-06-01)

[Slide 17](#) : Mounting position not possible for UL260-series

[Slide 24](#) : remove word 'fuse' + new picture wiring loom

[Slide 25](#) : new picture wiring loom + addition 2 pulses / 3 pulses for RPM

[Slide 26](#) : new slide : difference cockpit wiring loom dual ECU

[Slide 27](#) : new picture cockpit wiring loom dual ECU

[Slide 30](#) : white switch 1 - red switch 2

[Slide 31](#) : new drawing

[Slides 34-39](#) : updated drawings according to wiring loom

[Slides 46-48](#) : update with new regulator 30A wiring

[Slide 51](#) : new picture starter connection

[Slide 76](#) : link updated

[Slide 93](#) : link changed

[Slide 97](#) : range CHT 20 instead of 50



Revisions

Revision 1.3 (2022-24-01)

[Slide 6](#) : Add link to propeller page

[Slide 18](#): added “will void warranty”

[Slide 38-39](#) : Add heat shrink colour engine wiring loom

[Slide 42-45](#) : Add additional AUXBOX installation instructions

[Slide 78](#) : Change min. distance between (centre) engine mount backplate and oil/air separator from 100 to 50 mm

[Slide 101](#) : Incorrect value (39 PSI) for min. fuel pressure. Changed to 35 PSI. ‘bar’ values are correct.



Revisions

Revision 1.4 (2022-31-03)

[Slide 37-38](#) : Resettable breakers instead of fuses

[Slide 38](#) : Min. AWG12 wire sections regulator instead of Min. AWG10

Slide 77 : Remove slide (not relevant)

[Slide 79](#) : Installation instruction oil/air separator for aerobatic engines

[Slide 97](#): refer to prop flange document instead of technical date document

Revision 1.5 (2022-14-07)

[Slide 34](#) : Connection RS232 and canbus update

[Slide 37-38](#) : Switches FP 1,2 and ECU behind breakers

[Slide 45](#) : More information about connecting AUXBOX

[Slide 58](#) : Old black ECU : different connections coils

[Slide 95](#) : parts numbers added

[Slide 101](#): CHT green, yellow, red range adjustment (50-140, 140-170, 70 was 50-160,160-180,180)



Revisions

Revision 1.6 (2023-06-09)

[Slide 17](#) : Mounting position (again) possible for UL260-series

[Slide 42-43](#) : 6 cylinder engine sample installation

[Slide 54-56](#) : 4 cylinder cooling box + provide cooling regulator

[Slide 84-85](#) : Clarification 'how to set idle'

[Slide 102-104](#) : Clarification regarding RON/MON/AKI

Revision 1.7 (2024-03-18)

[Slide 14-16](#) : Additional information clamp to hold muffler to H-bracket

[Slide 25](#) : 70l/h = 170Hz for all engines + UL350iHPS 100% : 79,2 l/h

[Slide 27](#) : Additional information double pole switch dual ECU

[Slide 30](#) : Fuel pump relay dual ECU

[Slide 38](#) : Dual ECU wiring diagram update

[Slide 40+42](#) : Coil 1 commanded by ignition switch 1 and coil 2 commanded by ignition switch 2 (previously other way around) + dual ECU update

[Slide 44](#) : Dual ECU wiring diagram update

[Slide 50](#) : Add table wire sections and breaker/fuse

[Slide 87](#) : egt – cht / map are not installed at factory

[Slide 90-94](#) : Additional information thread for extra sensors



Revisions

Revision 1.8

[Slide 6](#) : new layout + additional quicklinks

[Slide 21](#) : Important warnings electrical system (updated + moved)

[Slide 22-27](#) : Reorganization of pages

[Slide 31-32](#) : Additional warning : wires are critical to engine function

[Slide 38](#) : rewrite section SPST

[Slide 49](#) : AWG3 -> AWG4

[Slide 51](#) : Correction wiring fuel pump 2

[Slide 53](#) : Correction wiring fuel pump 2

[Slide 57](#) : Add new picture alternator protection plate

[Slide 63](#) : Add 'screw in' at picture

[Slide 67](#) : Rewrite never close down shutoff valve...

[Slide 68](#) : Increase min. diameter suction lines. Add detail suction fuel tank

[Slide 70](#) : Add reference ULPower header tank

[Slide 71-72](#) : Add additional information fuel pump installation

[Slide 82](#) : Add delta T 15°C oil cooler

[Slide 84](#) : Reference to air inlet box

[Slide 85](#) : Temperature range oil/air separator hoses 80°C instead of 120°C

[Slide 99](#) : spring adjustment CHT : CHT until the end of provided opening

[Slide 100](#) : add tolerance on EGT location



[Slide 104-107](#) : Removal of slide 104 and add the information (valve covers) to slide 107)

Revision 1.9

[Slide 4](#) : Icing prevention

[Slide 83](#) : Icing prevention

[Slide 106](#) : Refer to OM