



# *Illustrated Parts Catalogue*

***FORCED COOLING  
ALL METAL***

***FOR **UL**350-ENGINES***

***AERO ENGINE***



Please fill in your engine and aircraft details for further reference:

Engine Serial No. : .....

Aircraft type : .....

Model : .....

Serial No. : .....

Registration : .....

## ***Introduction***

### **Remarks**

The illustrations in this Illustrated Parts Catalogue show the typical construction. They may not represent in full detail or the exact shape of the parts which have the same or similar function.

### **Modifications**

All efforts are made to ensure the accuracy of this Illustrated Parts Catalogue at the time of publication. ULPower, however, maintains a policy of continuous improvement of its products without imposing upon itself any obligation to install them on its products previously manufactured.

ULPower reserves the right at any time to discontinue or change specifications, designs, features, models or equipment without incurring obligation.

### **Engine serial number**

On all enquiries or spare parts orders, always indicate the engine serial number, as the manufacturer makes modifications to the engine for further development.

The engine serial number is located at the front left side of the crankcase (above oil filter).

### **Structure**

Each section of this Illustrated Parts Catalogue starts with an exploded view or assembly drawing on the left side. The corresponding heading and the listing of the parts is on the right side and the following pages.

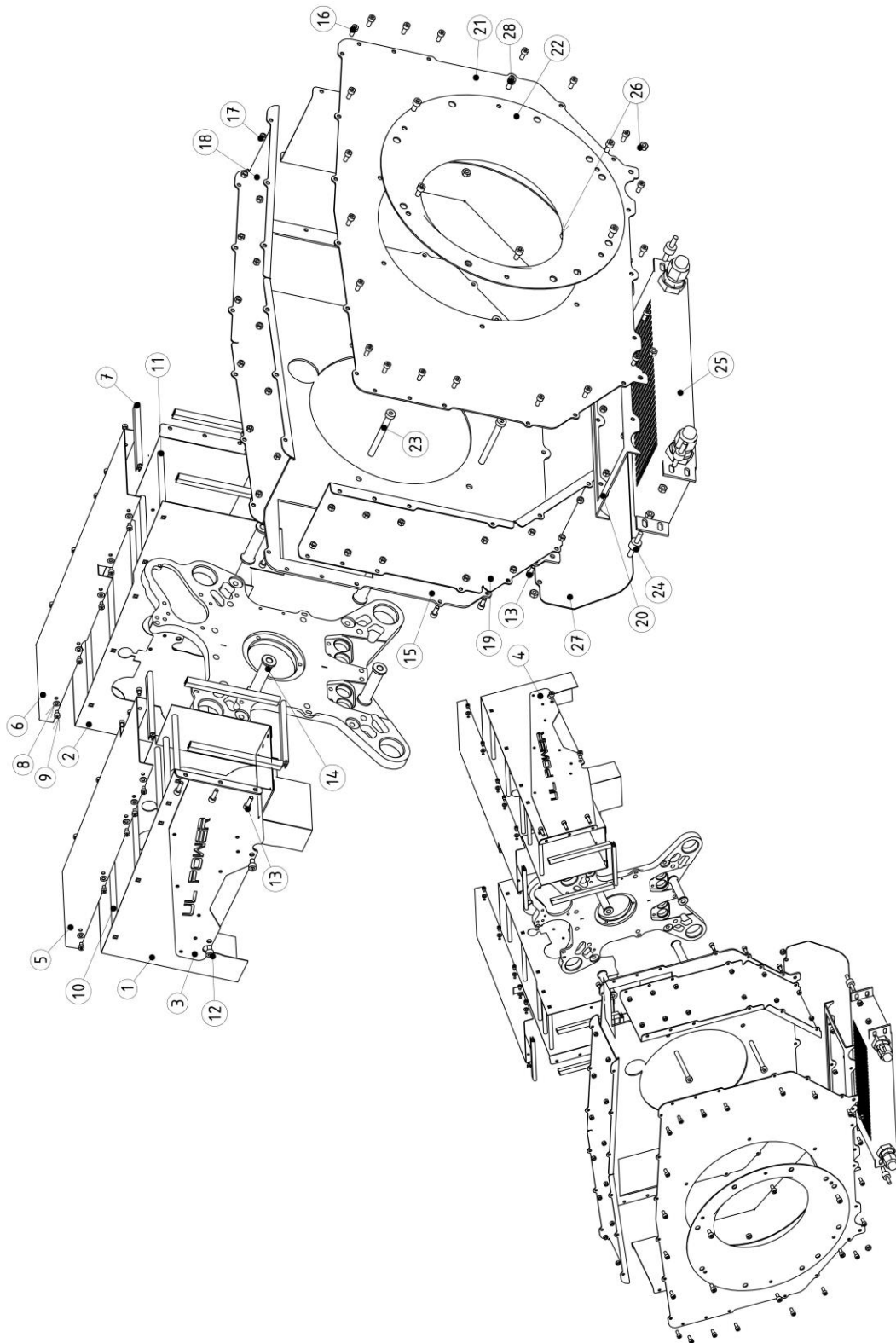
For each assembly drawing the right number of parts is listed in the relevant column. Because an engine can contain multiple times the illustrated assembly or a part can be used in several different applications, the total number of parts per engine is also given.

Generally all fasteners are tightened with a torque wrench. The "Notes" column indicates the appropriate torque or refers to extra information at the end of the section.

Blank

# Table of Contents

Introduction.....	1
Remarks.....	1
Modifications.....	1
Engine serial number.....	1
Structure.....	1
Table of Contents.....	3
Airbox forced.....	5
Rotor.....	8
Oil Cooler Lines.....	10
Front Engine Mount Plate.....	12
Revision.....	13

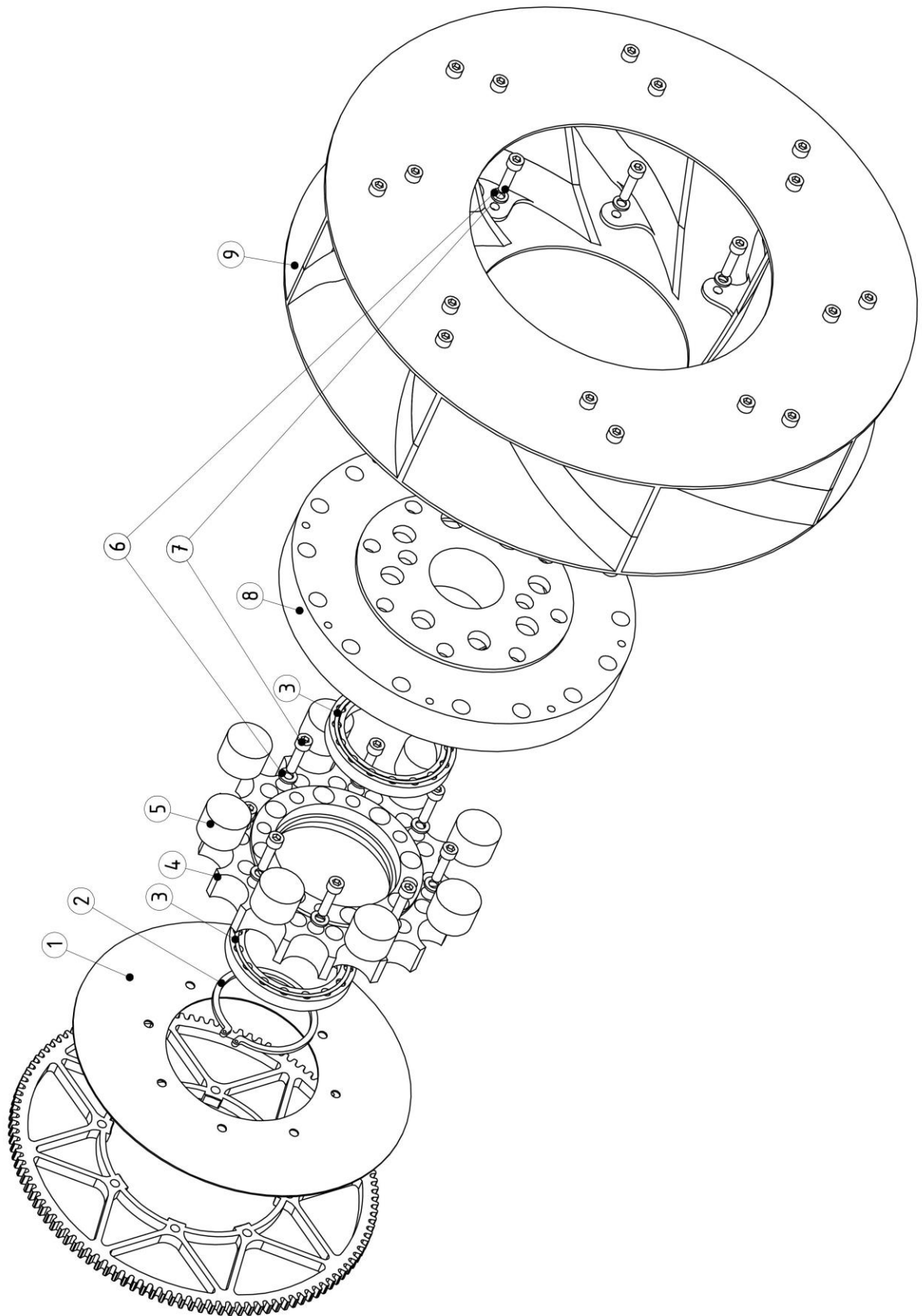


## Airbox forced

Item	Part No.	Description	Parts in assembly	Note
1	BE012535 BE012536	Cylinder head ram airbox right forced Flange for BE012535	1 1	
2	BE012530 BE012531	Cylinder head ram airbox left forced Flange for BE012530	1 1	
3	BE012538	Bracket connection to airbox right	1	
4	BE012533	Bracket connection to airbox left	1	
5	BE012537	Cover ram airbox right	1	
6	BE012532	Cover ram airbox left	1	
7	S8150701	Seal strip 15.1x7,3	1,5m	
8	F2210040	Disc spring - M4 - types ELUZ (36397.040.001)	20	
9	F0904008	Hex socket button cap screw M4x8	20	4Nm
10	SE012506	Stud for air box forced (6cyl)	6	
11	BE012506	Stud for air box forced (4cyl)	4	
12	F0206010	Socket cap screw M6x10 - 8.8 Zn	4	
13	F0205016	Socket cap screw M5X16 - 8,8 Zn	6	10Nm
14	SE130145	Engine mount spacer	4	
15	BE130120	Main plate forced	1	
16	F0205012	Socket cap screw M5x12 - 8.8 Zn	31	
17	F5103050	Prevailing hex-nut all metal M5	40	10Nm
18	BE130140	Cover airbox forced	1	
19	BE130160	Side plate airbox forced	2	
20	BE130150	Oil cooler bracket forced	1	
21	BE130130	Back plate airbox forced	1	
22	SE130135	Inlet cone forced cooling	1	
23	F0208080	Socket cap screw M8x80 - 8.8 Zn	4	20Nm
24	F2662010	Silent bloc M6 type A hoogte 10	4	
25	BE0426318	Oil cooler -15 Rows - Forced Cooling	1	
26	F5103060	Prevailing hex-nut all metal M6	14	
27	BE130125	Protection Plate Oil Cooler Forced Cooling	1	
28	F0206012	Socket cap screw M6x12 - 8.8Zn	6	

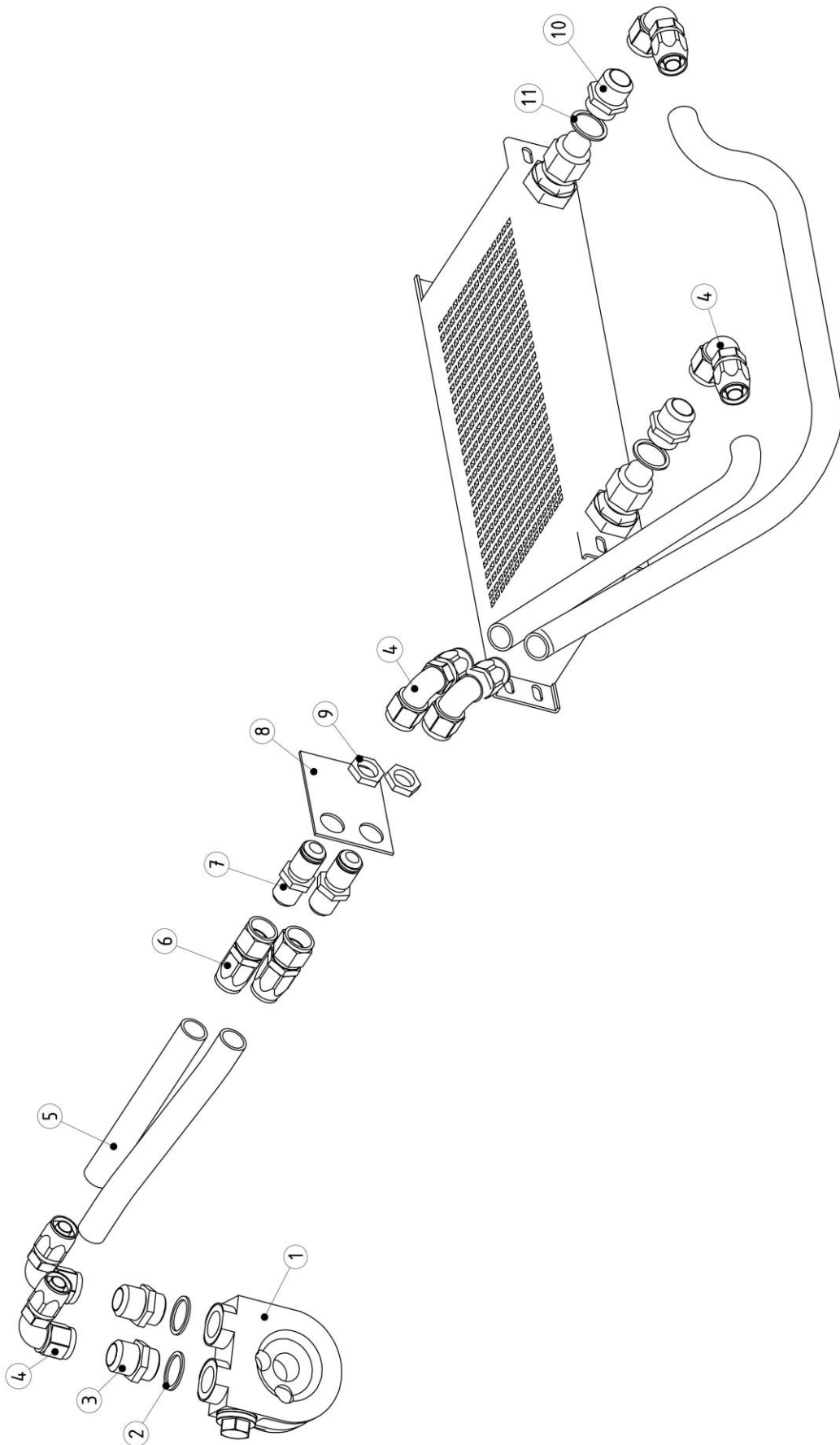






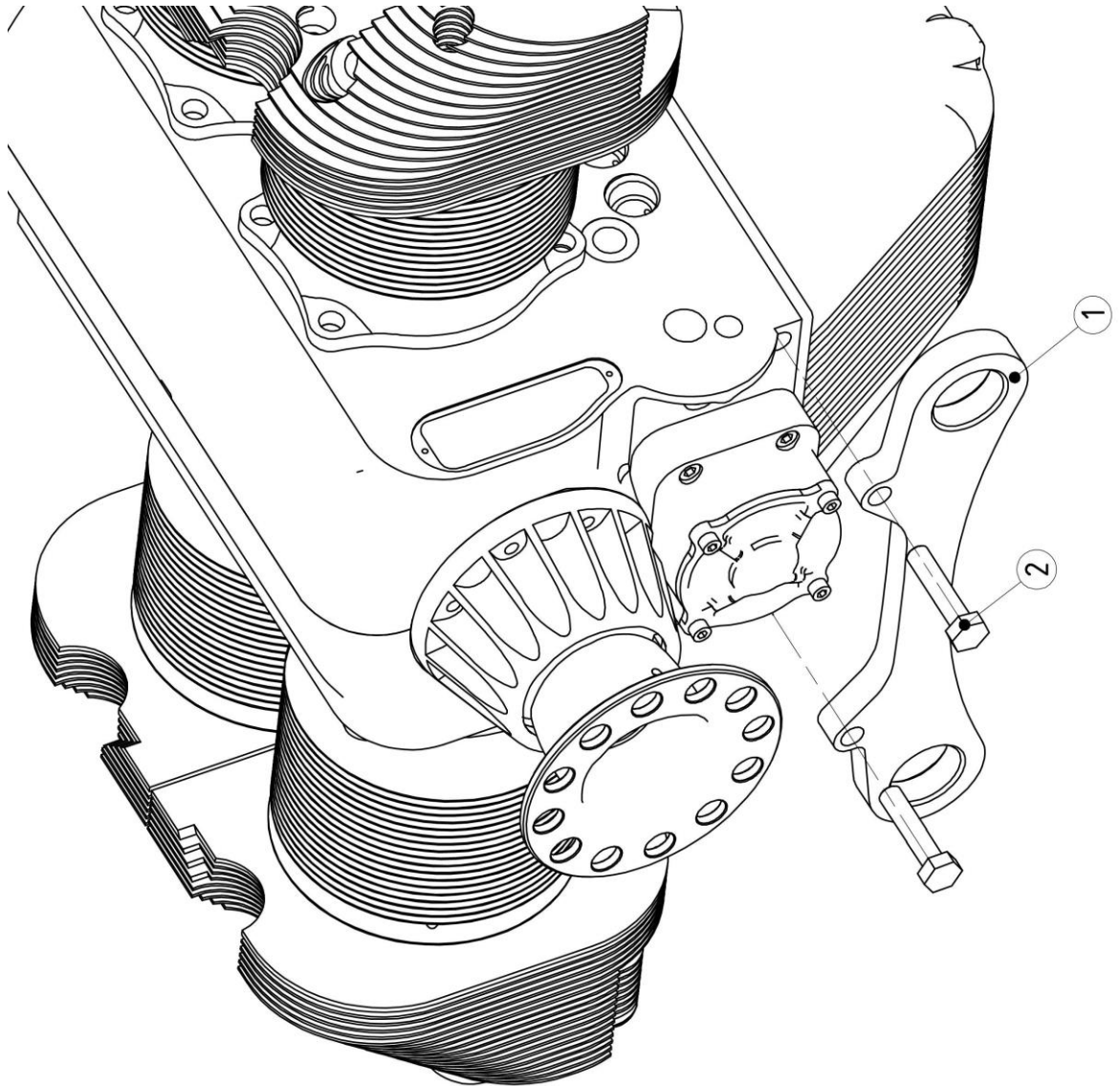
## Rotor

Item	Part No.	Description	Parts in assembly	Note
1	E052503	Air Guide Plate	1	
2	SUSE130001	Subass "Flexible Coupling"	1	
3	F1500065	Retaining Ring Shaft 65	1	
3	E132001	Bearing 65x85x10 Sealed	2	
4	SE130110	Flexible Coupling Inner Ring	1	
5	E130101	Elaster Coupling Insert	8	
8	SE130100	Flexible Coupling Outer Ring	1	
6	F2110060	Nordlock Washer M6	16	
7	F0306025	Socket Cap Screw M6x25 -12,9	16	15Nm
9	SUBE130510	Right Fan 3,5	1	
	SUBE130610	Left Fan 3,5		



## Oil Cooler Lines

Item	Part No.	Description	Parts in assembly	Note
1	E042515	Oil Thermostat	1	
2	S3202615	Copper Sealing Ø20x26x1,5	2	2
3	F2560014	Adapter M20x1,5 - 10JIC	2	
4	F3010090	90° Reusable - 10JIC/Swivel	6	
5	F2550011	Reusable Hose 10JIC	4m	
6	F3010000	Reusable Straight - 10JIC	2	
7	F2560017	Bulkhead Adapter - 10JIC	2	
8	E130161	Oil Line Support	1	
9	F2560018	Bulkhead Locknut - 10JIC	2	
10	F2560016	Adapter M22x1,5 / 10JIC	2	
11	S3222715	Copper Ring Ø22x27x1,5	2	



## Front Engine Mount Plate

Item	Part No.	Description	Parts in assembly	Note
1	E013520	Front Engine Mount Plate	1	
2	F1410040	Hexagon Fit Bolt M10x40	2	

# Revision

## Revision 1 (2018-04-01)

- Pg 4 en 5: nr 24: BE130125 (Protection Plate Oil Cooler Forced Cooling)
- Pg 4 en 5: Nr 1,2,5,6,8 and 9 cylinder head ram air box + cover met studs
- Pg 4 en 5: Nr 3 and 4 (Bracket connection to air box left/right) new model