

# *Illustrated Parts Catalogue*



***FORCED COOLING  
ALL METAL  
FOR UL350-ENGINES***

***AERO ENGINE***

---

---

Please fill in your engine and aircraft details for further reference:

Engine Serial No. : .....

Aircraft type : .....

Model : .....

Serial No. : .....

Registration : .....

## ***Introduction***

### **Remarks**

The illustrations in this Illustrated Parts Catalogue show the typical construction. They may not represent in full detail or the exact shape of the parts which have the same or similar function.

### **Modifications**

All efforts are made to ensure the accuracy of this Illustrated Parts Catalogue at the time of publication. ULPower, however, maintains a policy of continuous improvement of its products without imposing upon itself any obligation to install them on its products previously manufactured.

ULPower reserves the right at any time to discontinue or change specifications, designs, features, models or equipment without incurring obligation.

### **Engine serial number**

On all enquiries or spare parts orders, always indicate the engine serial number, as the manufacturer makes modifications to the engine for further development.

The engine serial number is located at the front left side of the crankcase (above oil filter).

### **Structure**

Each section of this Illustrated Parts Catalogue starts with an exploded view or assembly drawing on the left side. The corresponding heading and the listing of the parts is on the right side and the following pages.

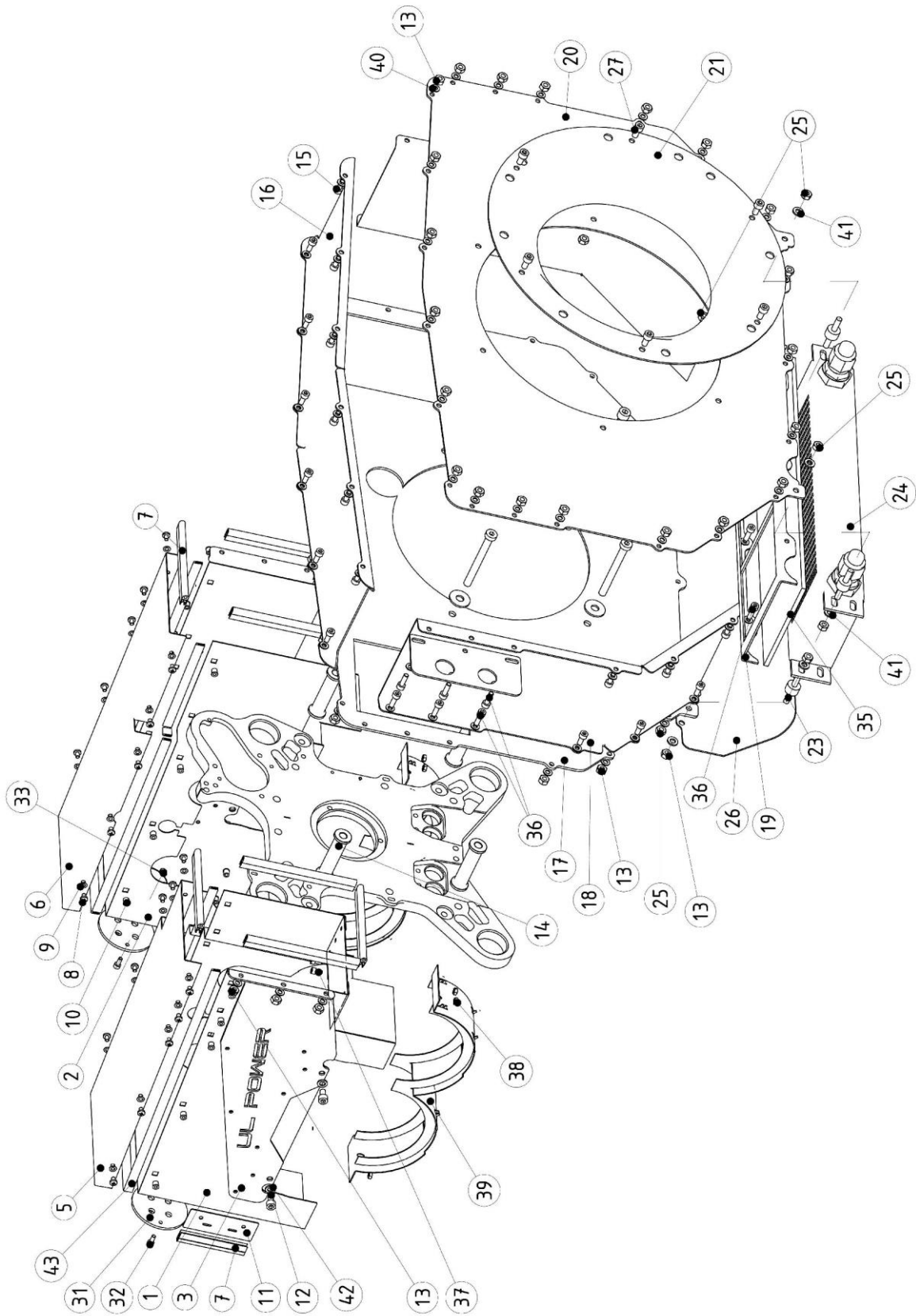
For each assembly drawing the right number of parts is listed in the relevant column. Because an engine can contain multiple times the illustrated assembly or a part can be used in several different applications, the total number of parts per engine is also given.

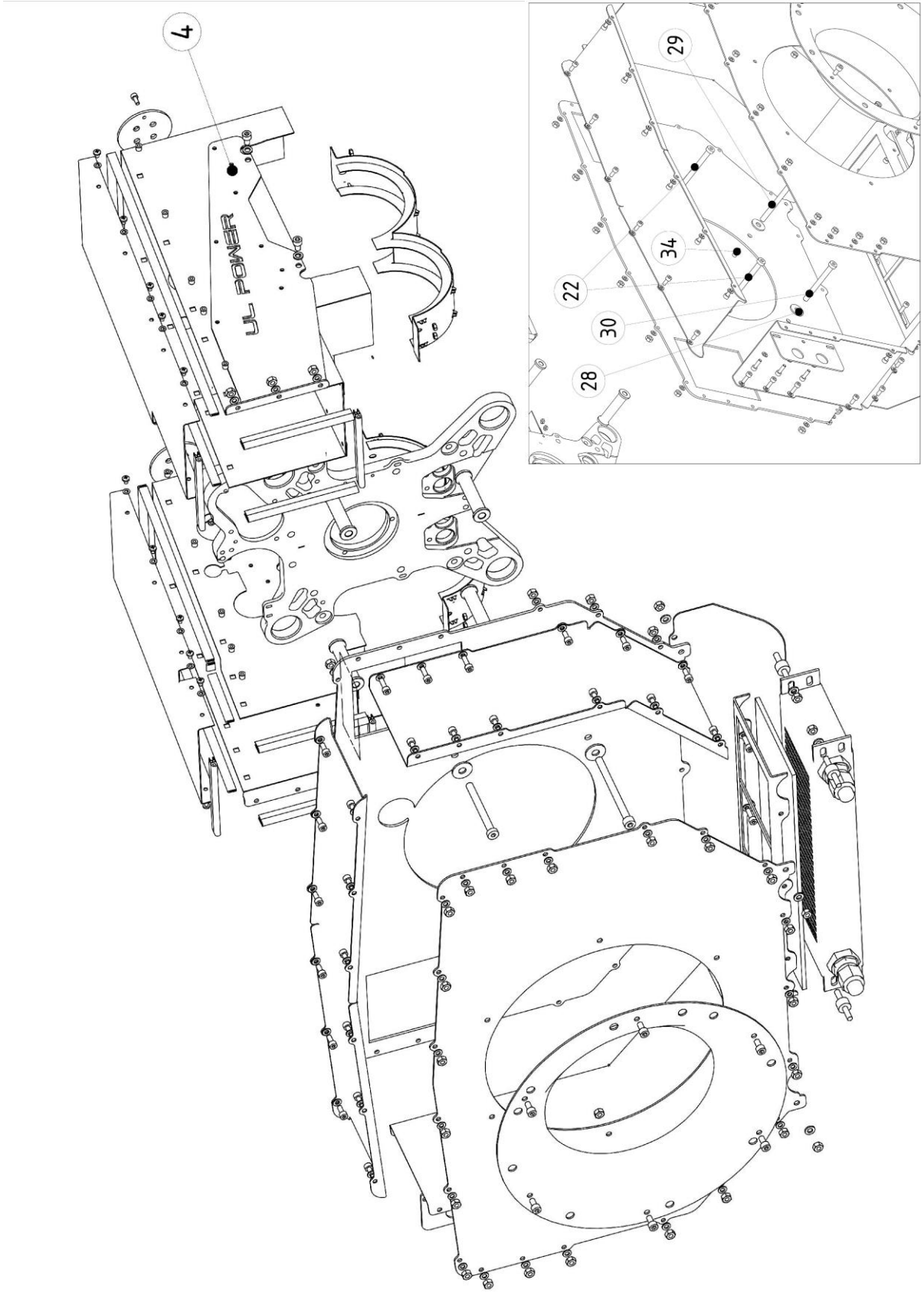
Generally all fasteners are tightened with a torque wrench. The "Notes" column indicates the appropriate torque or refers to extra information at the end of the section.

Blank

# Table of Contents

Introduction .....	1
Remarks .....	1
Modifications .....	1
Engine serial number .....	1
Structure .....	1
Table of Contents.....	3
Airbox forced.....	4
Rotor .....	9
Oil Cooler Lines .....	11
Front Engine Mount Plate .....	13
Revision.....	14

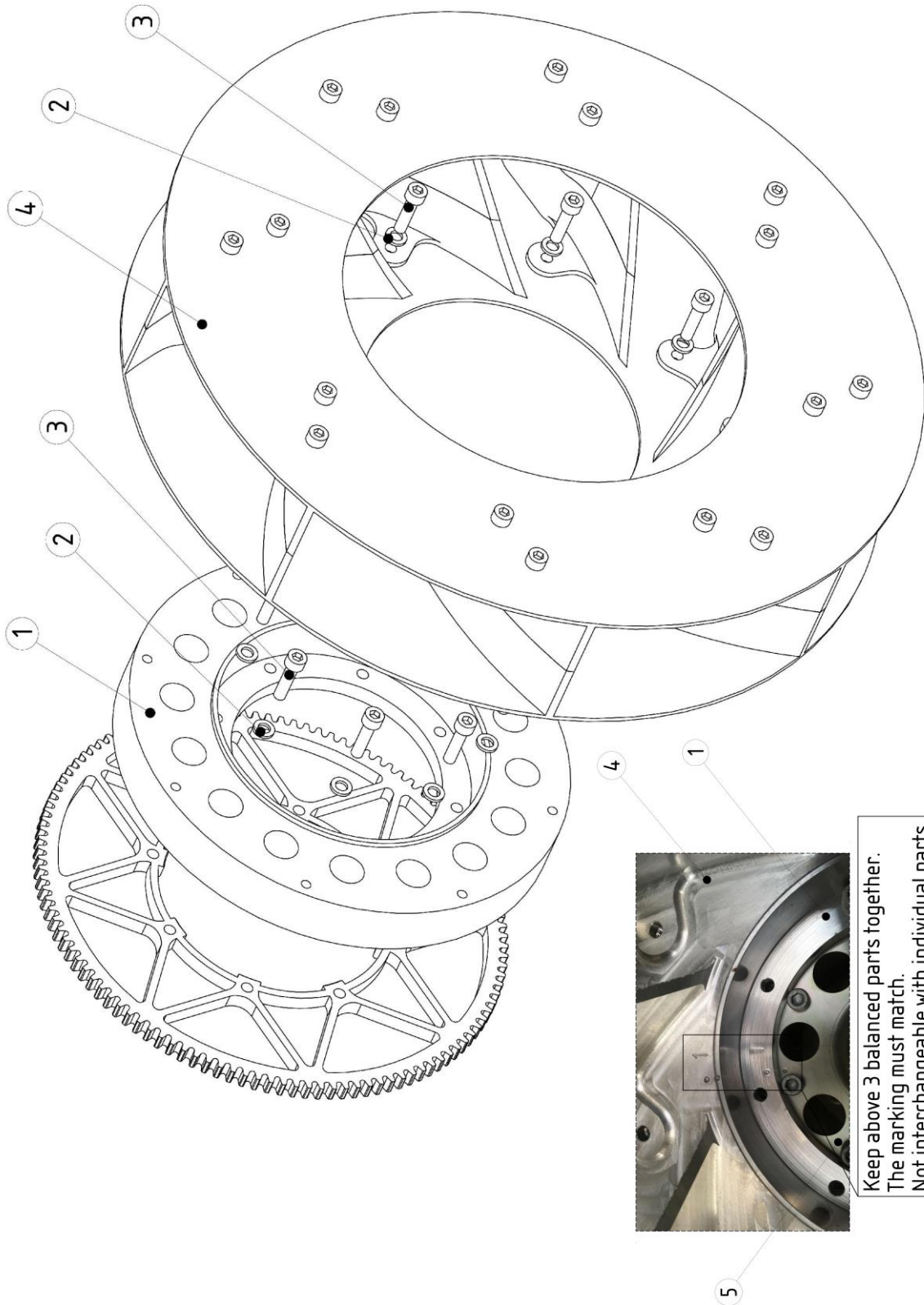




## Airbox forced

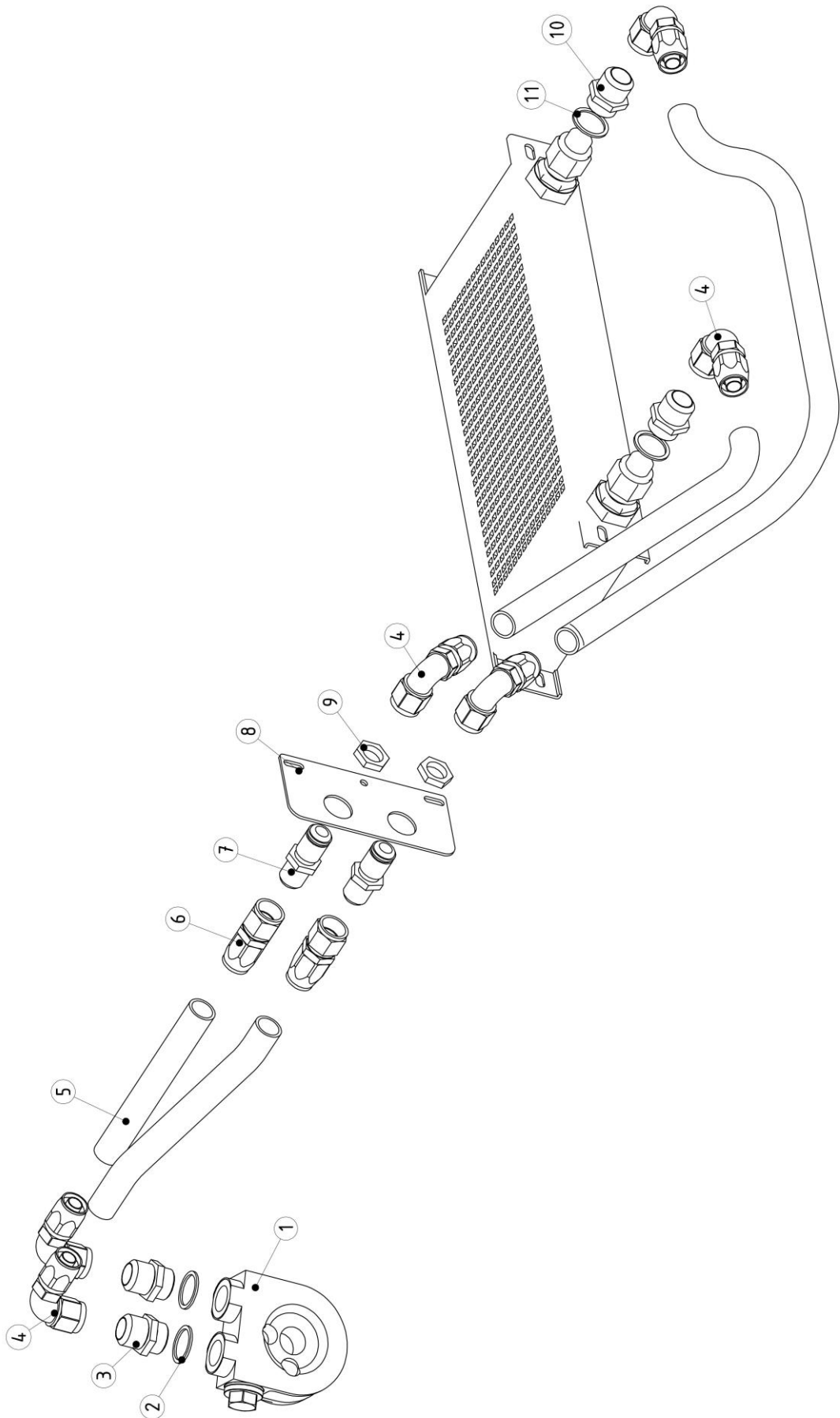
Item	Part No.	Description	Parts in assembly	Note
1	BE012535 BE012536	Cylinder head ram airbox right forced Flange for BE012535	1 1	
2	BE012530 BE012531	Cylinder head ram airbox left forced Flange for BE012530	1 1	
3	BE012538	Bracket connection to airbox right	1	
4	BE012533	Bracket connection to airbox left	1	
5	BE012537	Cover ram airbox right	1	
6	BE012532	Cover ram airbox left	1	
7	S8150701	Seal strip 15.1x7,3	1m	
8	F0904008	Hex socket button cap screw M4x8 10.9Zn	20	4Nm
9	F2210040	Disc spring - M4 - types ELVZ (36397.040.001)	20	
10	F2390413	Blind Rivet Nut M4x6.3	20	
11	E130162	Protection Oil Line	1	
12	F0206010	Socket cap screw M6x10 - 8.8 Zn	4	
13	F5103050	Prevailing hex-nut all metal M5	42	10Nm
14	SE130145	Cowling mount spacer	4	
15	F0205012	Socket cap screw M5x12 - 8.8 Zn	30	
16	BE130140	Cover airbox forced	1	
17	BE130120	Main plate forced	1	
18	BE130160	Side plate airbox forced	2	
19	BE130150	Oil cooler bracket forced	1	
20	BE130130	Back plate airbox forced	1	
21	BE130135	Inlet cone forced cooling	1	
22	F0208100	Socket cap screw M8x100 - 8.8 Zn	2	20Nm
23	F2662010	Silent bloc M6 type A hoogte 10	4	
24	BE0426318	Oil cooler -15 Rows - Forced Cooling	1	
25	F5103060	Prevailing hex-nut all metal M6	14	
26	BE130125	Protection Plate Oil Cooler Forced Cooling	1	
27	F0206012	Socket cap screw M6x12 - 8.8Zn	6	
28	F2110080	Nordlock washer M8	4	
29	E130145 F0208090	Special Bolt M8x85 +M4-10diep Socket cap screw M8x90 - 8.8 Zn (Vertical)	1 1	20Nm 20Nm
30	F0208090	Socket cap screw M8x90 - 8.8 Zn	1	20Nm
31	E011503	Ignition cable grommet	2	
32	F0204010	Cap screw M4x10 - 8,8Zn	4	
33	F5102040	Prevailing hex nut M4	4	
34	F0904012	Hex socket button cap screw M4x12 10.9Zn	1	

Item	Part No.	Description	Parts in assembly	Note
35	E130151	Radiator Foam	1	
36	F0205016	Socket cap screw M5x16 - 8.8 Zn	12	
37	F0204008	Socket cap screw M4x8 - 8.8Zn	8	
38	F5102040	Prevailing hex nut M4	4	
39	E013002	cylinder baffle	2	
40	F2710005	Plain Washer M5	80	
41	F2710006	plain Washer M6	8	
42	F2110060	Nordlock washer M6	4	
43	S8100400	Seal Strip EPDM 10x4	2m	



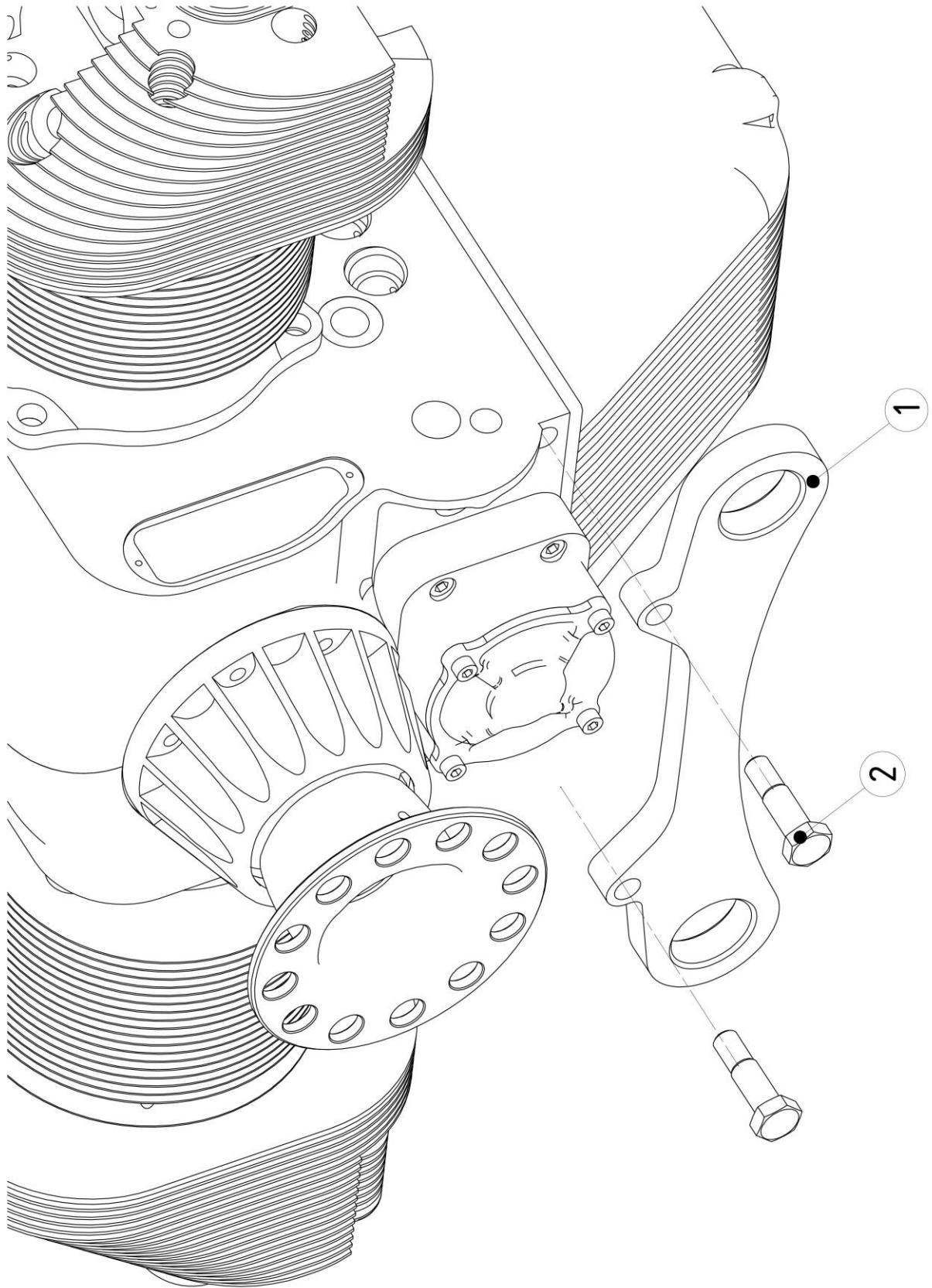
# Rotor

Item	Part No.	Description	Parts in assembly	Note
1	SE130 102	Coupling Flange Fan Forced Cooling		
2	F2110060	Nordlock Washer M6	16	
3	F0306025	Socket Cap Screw M6x25 -12.9	16	15Nm
4	SUBE130510 SUBE130610	Right Fan 3,5 Left Fan 3,5	1	
5		Alternator Rotor		



## Oil Cooler Lines

Item	Part No.	Description	Parts in assembly	Note
1	E042515	Oil Thermostat	1	
2	S3202615	Copper Sealing Ø20x26x1,5	2	2
3	F2560014	Adapter M20x1,5 - 10JIC	2	
4	F3010090	90° Reusable - 10JIC/Swivel	6	
5	F2550011	Reusable Hose 10JIC	4m	
6	F3010000	Reusable Straight - 10JIC	2	
7	F2560017	Bulkhead Adapter - 10JIC	2	
8	E130161	Oil Line Support	1	
9	F2560018	Bulkhead Locknut - 10JIC	2	
10	F2560016	Adapter M22x1,5 / 10JIC	2	
11	S3222715	Copper Ring Ø22x27x1,5	2	



## Front Engine Mount Plate

Item	Part No.	Description	Parts in assembly	Note
1	E013520	Front Engine Mount Plate	1	
2	F1410040	Hexagon Fit Bolt M10x40	2	25Nm

# Revision

## Revision 1 (2018-06-01)

- Pg 4 en 5: Nr 24: BE130125 (Protection Plate Oil Cooler Forced Cooling)
- Pg 4 en 5: Nr 1,2,5,6,8 and 9 cylinder head ram air box + cover met studs
- Pg 4 en 5: Nr 3 and 4 (Bracket connection to air box left/right) new model

## Revision 2 (2019-11-19)

- Pg 4 en 5: Nr 13: 9 pieces was 6 pieces
- Pg 4 en 5: Nr 16: 33 pieces was 31
- Pg 4 en 5: Nr 17: 42 pieces was 40
- Pg 4 en 5: Nr 22: BE130135 was SE130135
- Pg 4 en 5: Nr 29, 30, 31, 32, 33, 34, added

## Revision 4 (2024-01-01)

Pg 4- 6: Nr 10: F2390406 was SE012506 (Stud for airbox forced Ø8 l=140.2) en BE012506 verwijderd

Nr 11: E130162 (Protection Oil Line) toegevoegd

Nr 42 toegevoegd

Pg 8 en 9: SE 130002 was SUSE130001 (Subass Flexible Coupling)

E052 503 verwijderd

Pg 8: Detail foto toegevoegd

## Revision 5 (2025-04-30)

Pg 4- 7: Nr 43 toegevoegd. (S8100400: Seal strip EPDM 10x4)