

# *Illustrated Parts Catalogue*

***FORCED  
COOLING***

***FOR UL520-ENGINES***

***AERO ENGINE***



Please fill in your engine and aircraft details for further reference:

Engine Serial No. : .....

Aircraft type : .....

Model : .....

Serial No. : .....

Registration : .....

## ***Introduction***

### **Remarks**

The illustrations in this Illustrated Parts Catalogue show the typical construction. They may not represent in full detail or the exact shape of the parts which have the same or similar function.

### **Modifications**

All efforts are made to ensure the accuracy of this Illustrated Parts Catalogue at the time of publication. ULPower, however, maintains a policy of continuous improvement of its products without imposing upon itself any obligation to install them on its products previously manufactured.

ULPower reserves the right at any time to discontinue or change specifications, designs, features, models or equipment without incurring obligation.

### **Engine serial number**

On all enquiries or spare parts orders, always indicate the engine serial number, as the manufacturer makes modifications to the engine for further development.

The engine serial number is located at the front left side of the crankcase (above oil filter).

### **Structure**

Each section of this Illustrated Parts Catalogue starts with an exploded view or assembly drawing on the left side. The corresponding heading and the listing of the parts is on the right side and the following pages.

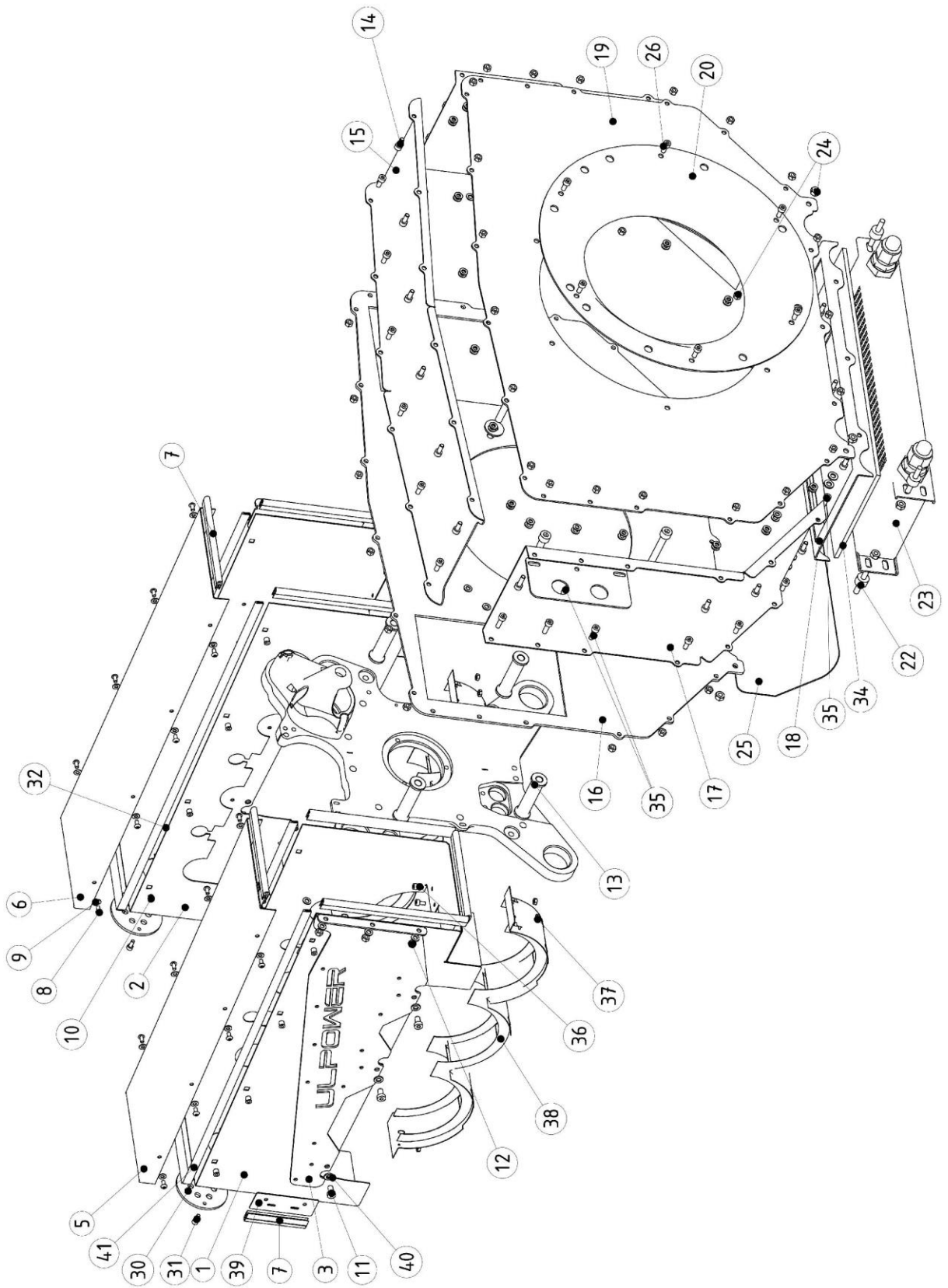
For each assembly drawing the right number of parts is listed in the relevant column. Because an engine can contain multiple times the illustrated assembly or a part can be used in several different applications, the total number of parts per engine is also given.

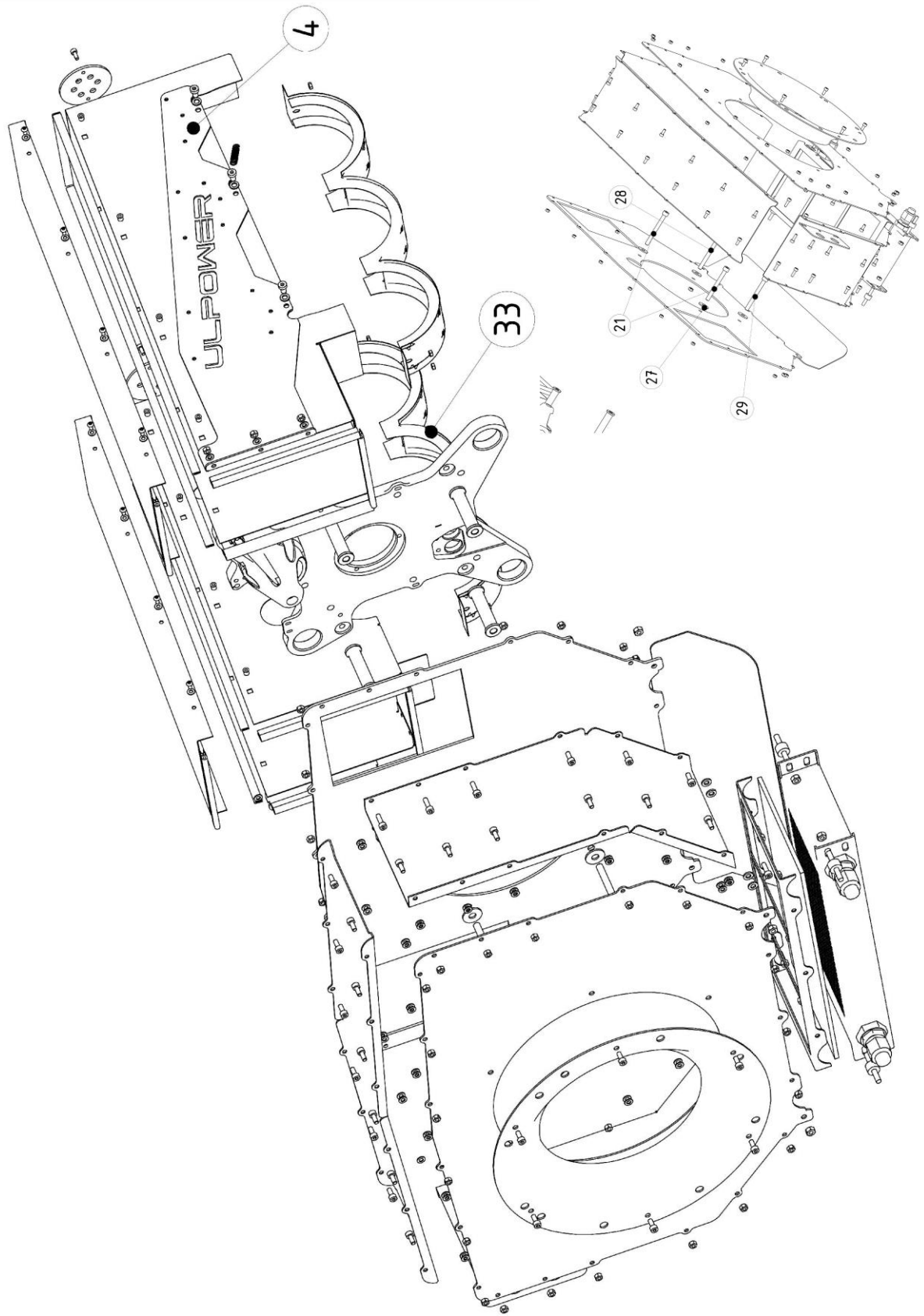
Generally all fasteners are tightened with a torque wrench. The "Notes" column indicates the appropriate torque or refers to extra information at the end of the section.

Blank

# Table of Contents

|                                |    |
|--------------------------------|----|
| Introduction .....             | 1  |
| Remarks .....                  | 1  |
| Modifications .....            | 1  |
| Engine serial number .....     | 1  |
| Structure .....                | 1  |
| Table of Contents.....         | 3  |
| Airbox forced.....             | 6  |
| Rotor .....                    | 9  |
| Oil Cooler Lines .....         | 11 |
| Front Engine Mount Plate ..... | 13 |
| Accesories.....                | 15 |
| Revision.....                  | 16 |

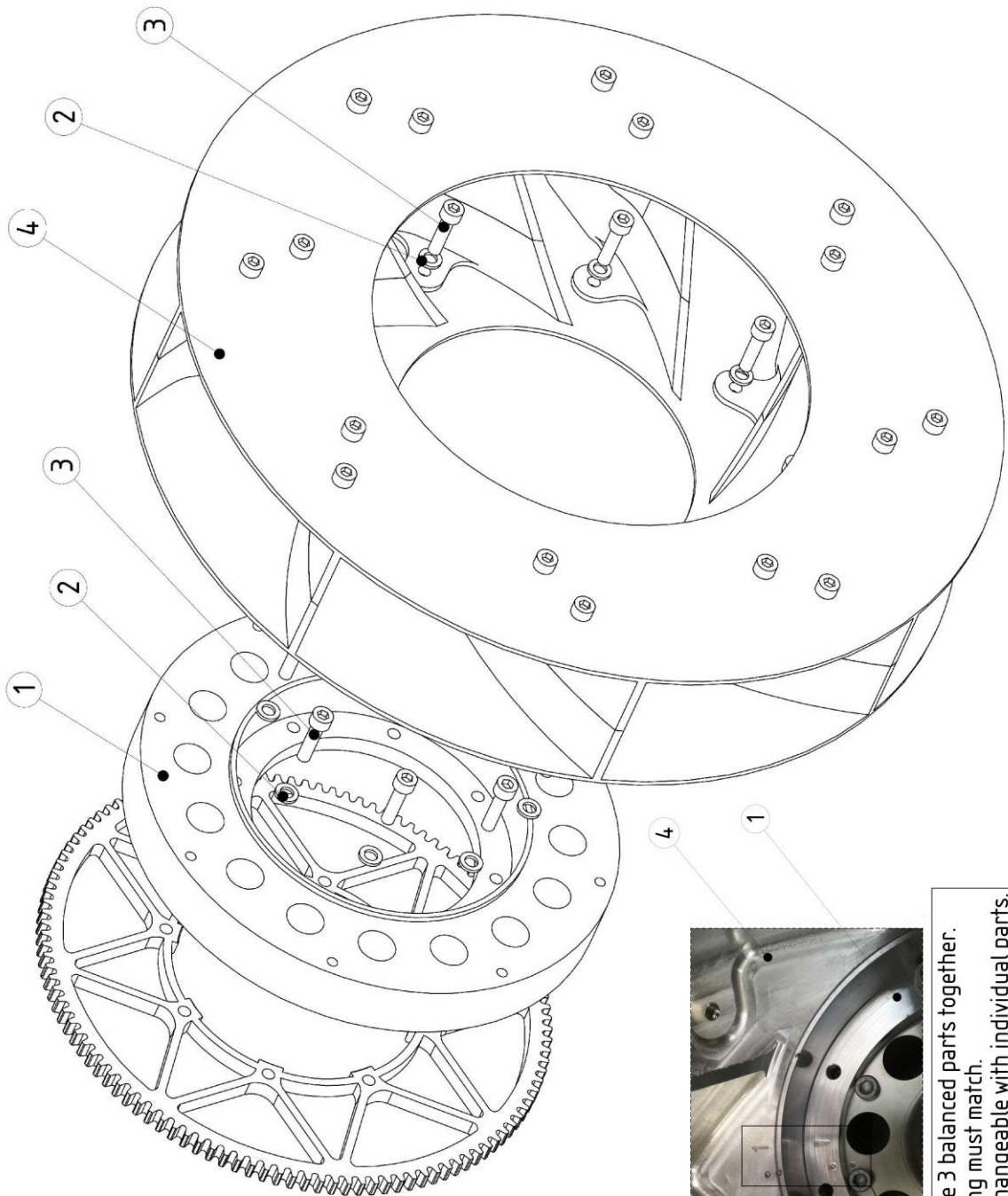




## Airbox forced

| Item | Part No.  | Description                                 | Parts in assembly | Note |
|------|-----------|---|-------------------|------|
| 1    | SBE012501 | Cylinder head ram airbox right forced       | 1                 |      |
| 2    | SBE012500 | Cylinder head ram airbox left forced        | 1                 |      |
| 3    | SBE012503 | Bracket connection to airbox right          | 1                 |      |
| 4    | SBE012502 | Bracket connection to airbox left           | 1                 |      |
| 5    | SBE012505 | Cover ram airbox right                      | 1                 |      |
| 6    | SBE012504 | Cover ram airbox left                       | 1                 |      |
| 7    | S8150701  | Seal strip 15.1x7,3                         | 1,2m              |      |
| 8    | F0904008  | Hex socket button cap screw M4x8 10.9Zn     | 16                | 4Nm  |
| 9    | F2210040  | Disc spring -M4- types ELVZ (36397.040.001) | 16                |      |
| 10   | F2390413  | Blind Rivet Nut M4x6.3                      | 16                |      |
| 11   | F0206010  | Socket cap screw M6x10 - 8.8Zn              | 6                 |      |
| 12   | F5103050  | Prevailing hex-nut all metal M5             | 42                | 10Nm |
| 13   | SE130145  | Cowling mount spacer                        | 4                 |      |
| 14   | F0205012  | Socket cap screw M5x12 - 8.8 Zn             | 30                |      |
| 15   | SBE130140 | Cover airbox forced                         | 1                 |      |
| 16   | SBE130120 | Main plate forced                           | 1                 |      |
| 17   | SBE130160 | Side plate airbox forced                    | 2                 |      |
| 18   | SE130150  | Oil cooler bracket forced                   | 1                 |      |
| 19   | SBE130130 | Back plate airbox forced                    | 1                 |      |
| 20   | BE130135  | Inlet cone forced cooling                   | 1                 |      |
| 21   | F0208100  | Socket cap screw M8x100 - 8.8 Zn            | 2                 | 20Nm |
| 22   | F2662010  | Silent bloc M6 type A hoogte 10             | 4                 |      |
| 23   | SE0426318 | Oil cooler -19 Rows - Forced Cooling        | 1                 |      |
| 24   | F5103060  | Prevailing hex-nut all metal M6             | 14                |      |
| 25   | BE130125  | Protection Plate Oil Cooler forced Cooling  | 1                 |      |
| 26   | F0206012  | Socket cap screw M6x12 - 8.8 Zn             | 6                 |      |
| 27   | F2110080  | Nordlock Washer M8                          | 4                 |      |
| 28   | E130145   | Special Bolt M8x85 +M4-10diep               | 1                 | 20Nm |
|      | F0208090  | Socket cap screw M8x90 - 8.8 Zn (Vertical)  | 1                 | 20Nm |
| 29   | F0208090  | Socket Cap Screw M8x90 - 8.8 Zn             | 1                 | 20Nm |
| 30   | SE011504  | Ignition cable grommet (6cyl)               | 2                 |      |
| 31   | F0204010  | Cap screw M4x10 - 8.8Zn                     | 4                 |      |
| 32   | F5102040  | Prevailing Hex nut M4                       | 4                 |      |
| 33   | F0904012  | Hex socket button cap screw M4x12 10.9Zn    | 1                 |      |
| 34   | SE130151  | Protection Oil Cooler                       | 1                 |      |
| 35   | F0205016  | Socket cap screw M5x16 - 8.8 Zn             | 12                |      |
| 36   | F0204008  | Socket cap screw M4x8 - 8.8Zn               | 8                 |      |

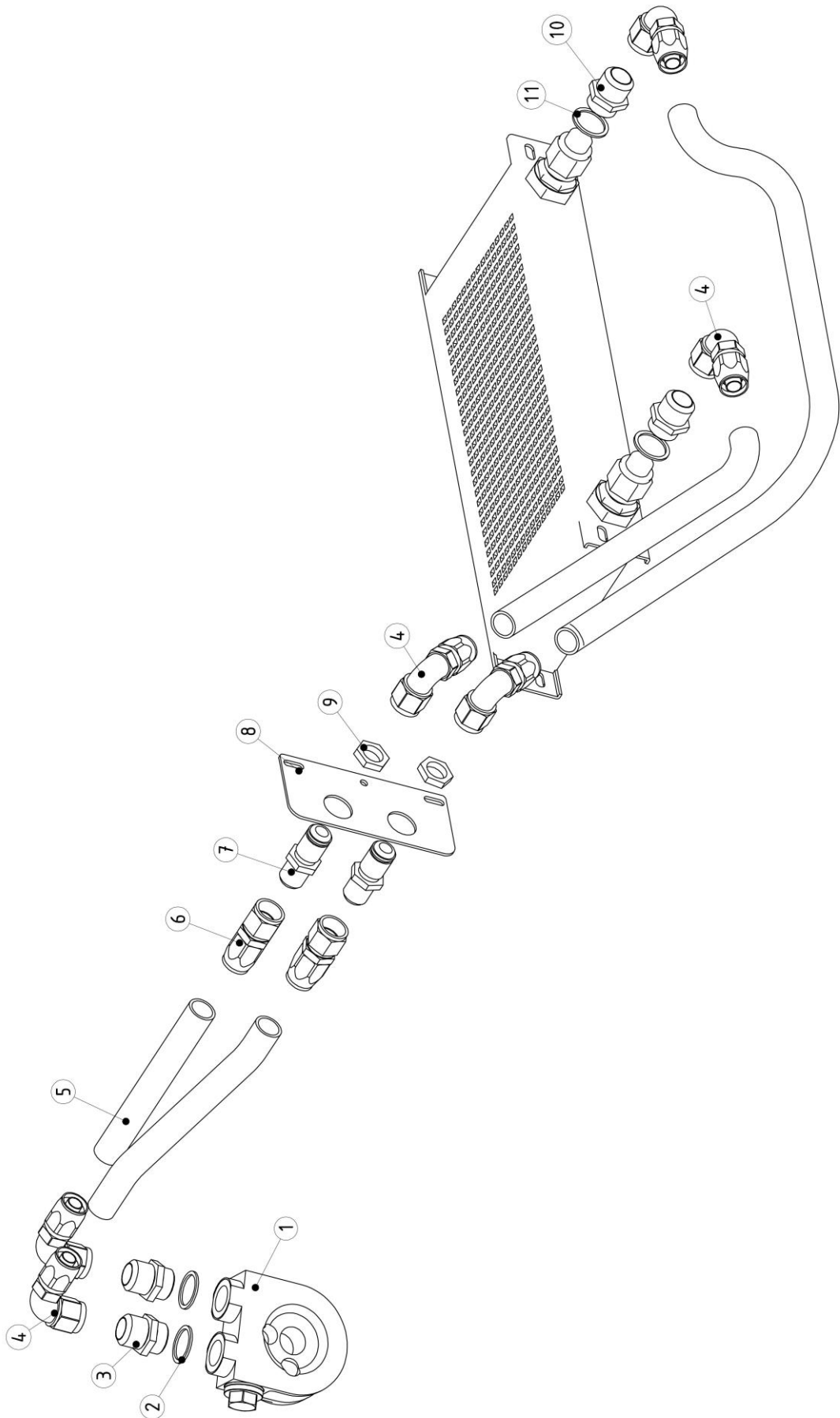
| Item | Part No. | Description              | Parts in assembly | Note |
|------|----------|--------------------------|-------------------|------|
| 37   | F5102040 | Prevailing hex nut M4    | 8                 |      |
| 38   | SE013002 | cylinder baffle assembly | 2                 |      |
| 39   | E130162  | Protection Oil Line      | 1                 |      |
| 40   | F2110060 | Nordlock washer M6       | 6                 |      |
| 41   | S8100400 | Seal Strip EPDM 10x4     | 2,6m              |      |



Keep above 3 balanced parts together.  
The marking must match.  
Not interchangeable with individual parts.

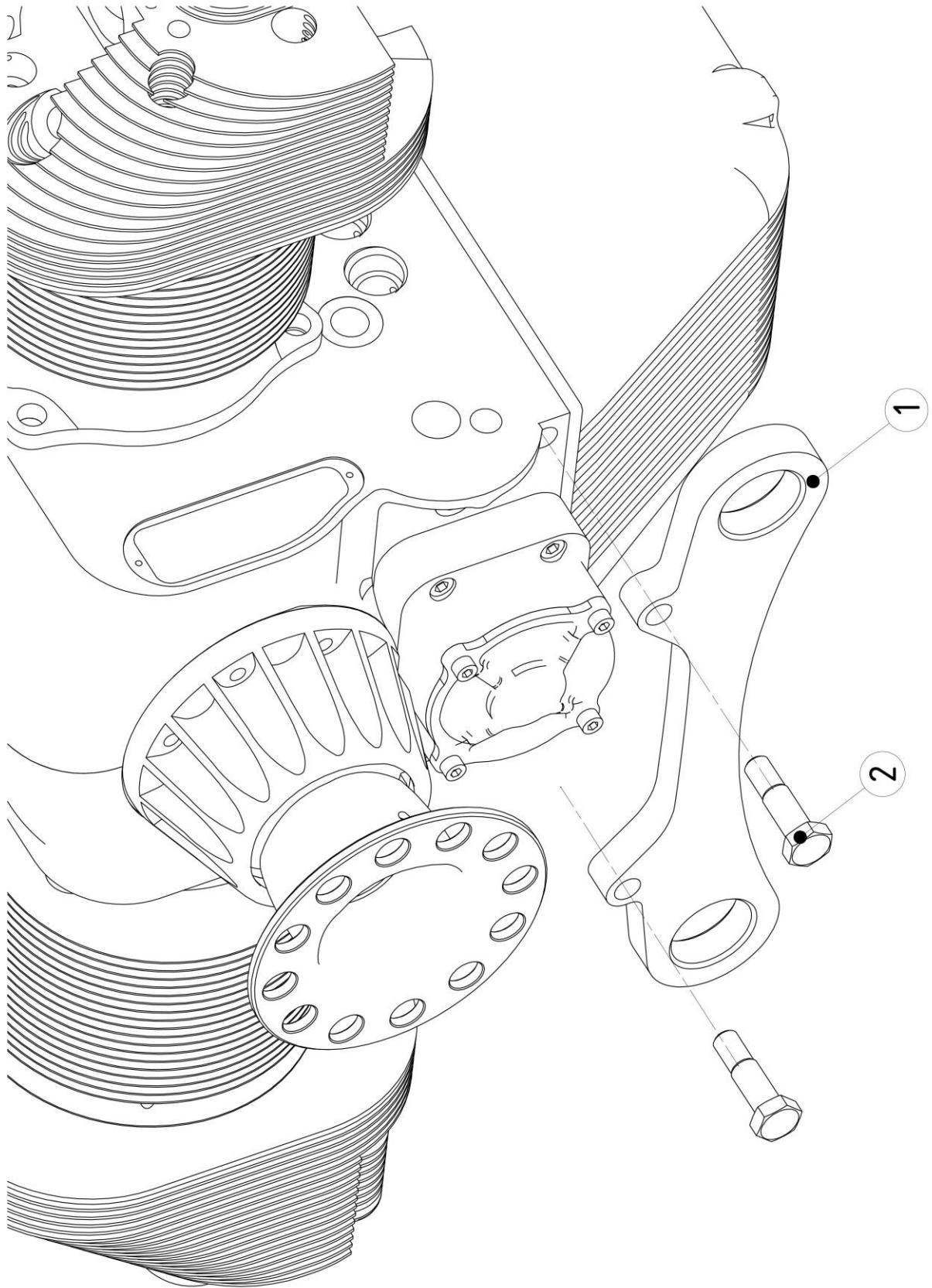
# Rotor

| Item | Part No.                   | Description                        | Parts in assembly | Note |
|------|----------------------------|------------------------------------|-------------------|------|
| 1    | SE130 102                  | Coupling Flange Fan Forced Cooling |                   |      |
| 2    | F2110060                   | Nordlock Washer M6                 | 16                |      |
| 3    | F0306025                   | Socket Cap Screw M6x25 -12.9       | 16                | 15Nm |
| 4    | SUSBE130510<br>SUSBE130610 | Right Fan 5,2<br>Left Fan 5,2      | 1                 |      |
| 5    |                            | Alternator Rotor                   |                   |      |



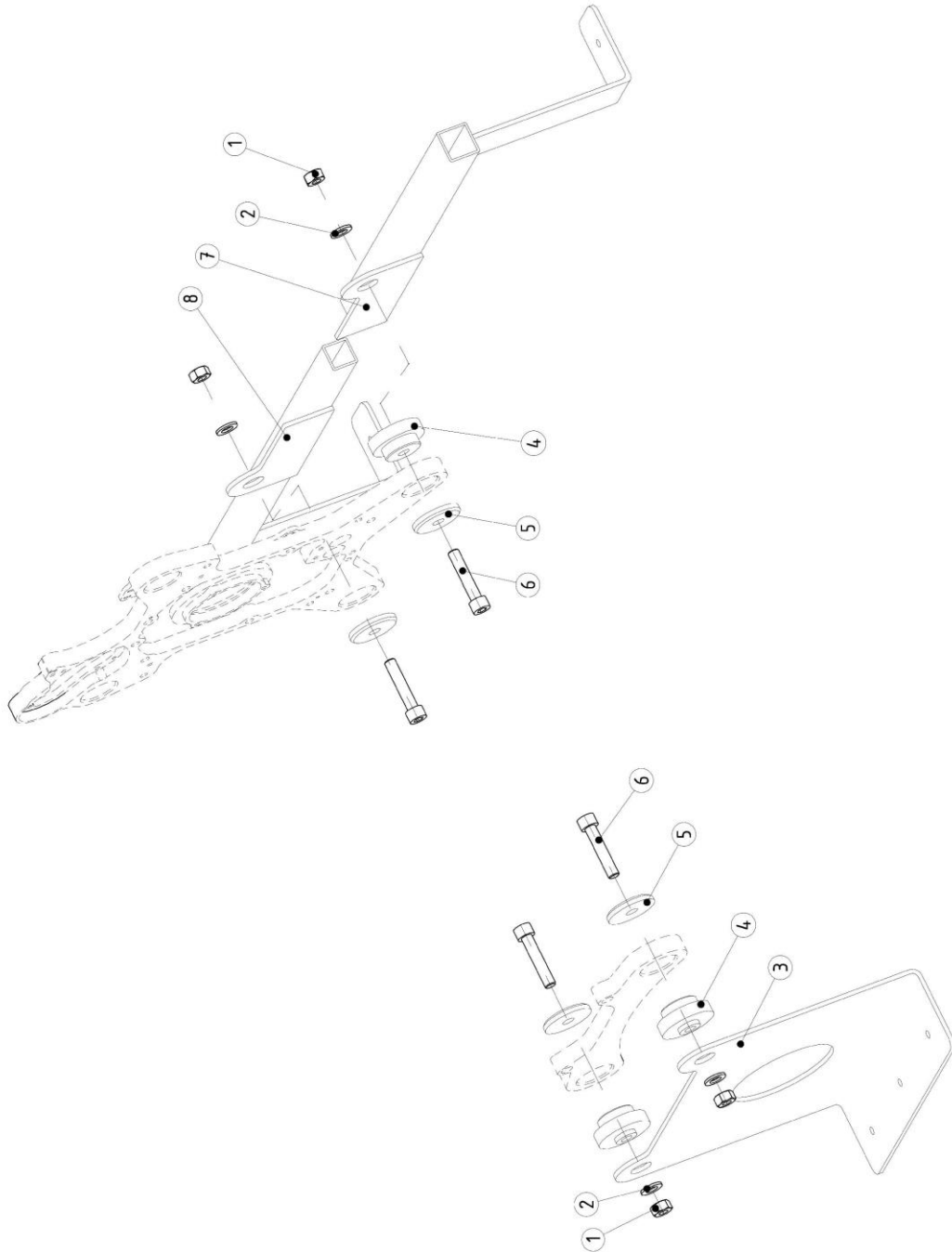
## Oil Cooler Lines

| Item | Part No. | Description                 | Parts in assembly | Note |
|------|----------|-----------------------------|-------------------|------|
| 1    | E042515  | Oil Thermostat              | 1                 |      |
| 2    | S3202615 | Copper Sealing Ø20x26x1,5   | 2                 | 2    |
| 3    | F2560014 | Adapter M20x1,5 - 10JIC     | 2                 |      |
| 4    | F3010090 | 90° Reusable - 10JIC/Swivel | 6                 |      |
| 5    | F2550011 | Reusable Hose 10JIC         | 4m                |      |
| 6    | F3010000 | Reusable Straight - 10JIC   | 2                 |      |
| 7    | F2560017 | Bulkhead Adapter - 10JIC    | 2                 |      |
| 8    | E130161  | Oil Line Support            | 1                 |      |
| 9    | F2560018 | Bulkhead Locknut - 10JIC    | 2                 |      |
| 10   | F2560016 | Adapter M22x1,5 / 10JIC     | 2                 |      |
| 11   | S3222715 | Copper Ring Ø22x27x1,5      | 2                 |      |



## Front Engine Mount Plate

| Item | Part No. | Description              | Parts in assembly | Note |
|------|----------|--------------------------|-------------------|------|
| 1    | E013520  | Front Engine Mount Plate | 1                 |      |
| 2    | F1410040 | Hexagon Fit Bolt M10x40  | 2                 | 25Nm |



# Accessories

| Item | Part No.  | Description                                | Parts in assembly | Note |
|------|-----------|--|-------------------|------|
| 1    | F5001100  | Hex Nut M10-100 Zn                         | 4                 |      |
| 2    | F2710010  | Plain Washer M10                           | 4                 |      |
| 3    | P4602011  | Motorsteun Exportkist Turbo Back           | 1                 |      |
| 4    | P4602014  | Astap short voor Motorsteun Forced Cooling | 4                 |      |
| 5    | P4602012  | Rondsel voor motorsteun                    | 4                 |      |
| 6    | F07110050 | socket cap screw M10x50-8,8 Zn             | 4                 |      |
| 7    | P4602020  | Motorsteun VK30 - HPS                      | 1                 |      |
| 8    | P4602019  | Motorsteun VK25 - HPS                      | 1                 |      |

# Revision

## Revision 1 (2017-12-21)

**Pg 4 en 5:** New look + New covers (nr.5 and nr.6) + nr.10 (stud for airbox forced 6 cyl)

## Revision 2 (2019-11-19)

**Pg 4 - 6:** Nr 12: 9 pieces was 6

Nr 15: 33 pieces was 31

..Nr 31, 32, 33 added

Nr 34 added

## Revision 3 (2024-02-01)

**Pg 4-6:** Nr 10: F2390406 was SE012506 (Stud for airbox forced Ø8 l=140.2) (8x)

**Pg 4-6:** Nr 39 toegevoegd

**Pg 4-6:** Nr 40 toegevoegd

**Pg 8 en 9:** SE130102 was SUSE130001 (Subass Flexible Coupling)

E052 503 verwijderd

**Pg 8:** Detail foto toegevoegd

## Revision 4 (2024-11-01)

**Pg 4-7:** Nr 41 toegevoegd. (S8100400: Seal Strip EPDM 10x4)